

Single DishDrawer™ Dishwasher, Sanitise

Series 7 | Contemporary

Stainless Steel

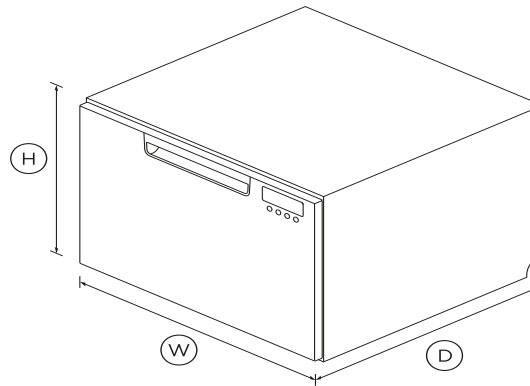


Designed to fit your full-sized dinner plates, this DishDrawer™ can be placed anywhere in your kitchen, for loading dishes with less bending.

- Six wash programs, as well as additional Quick wash, Sanitise and Extra Dry options
- Flexible racking allows you to customise internal shelves to suit your needs

DIMENSIONS

| | |
|--------|-------|
| Height | 410mm |
| Width | 599mm |
| Depth | 573mm |



FEATURES & BENEFITS

Ease Of Use

DishDrawer™ Dishwashers are as easy to open and close as kitchen drawers and can be conveniently positioned at bench height for ease of loading and minimal bending. Flexible racking allows you to make adjustments to fit in a variety of dishes.

Quick, Sanitise And Extra Dry Options

The Quick wash modifier delivers a faster wash while maintaining performance. The Sanitise option provides extra protection, killing 99.9% of bacteria in the final rinse. The Extra Dry setting is

perfect for plastic dishes.

Quiet Performer

Running at a very low decibel rating, these DishDrawer™ Dishwashers do their job without making a fuss. The combination of intelligent technology and simple mechanics means greater reliability and excellent wash performance.

Seamless integration

DishDrawer™ Dishwashers can be installed in any kitchen space and are designed to match the Fisher & Paykel family of kitchen appliances, with matching handles, premium styling and quality materials.

SPECIFICATIONS

Accessories

- Cutlery basket
- Knife clip and multipurpose

Capacity and loading

| | |
|-----------------------------|-------|
| Accommodates round plates | 280mm |
| Adjustable height, foldable | • |
| Fold down tines | • |
| Pitch adjustable tines | • |
| Place settings | 7 |

Consumption

| | |
|------------------------------|-----------------|
| Energy rating | 3.5 star |
| Energy usage | 136 kWh/year |
| In-use energy carbon | 18.4kgCO2e/year |
| Water consumption (per wash) | 6.9L |
| Water efficiency | 4.5 star (WELS) |

Controls

| | |
|-----------------------------|---|
| Electronic fault/Diagnostic | • |
| End of cycle beeps | • |
| Energy saving delay start | • |
| Keylock | • |
| Rinse aid indicator light | • |
| Wi-Fi connectivity | • |

Features

| | |
|------------------------|-------------|
| Fan assisted drying | • |
| Flow through detergent | • |
| Motor type | BLDC |
| Quiet operation | • |
| SmartDrive™ technology | • |

Performance

| | |
|-----------------|--------------|
| Noise emissions | 42dBA |
|-----------------|--------------|

Power requirements

| | |
|------------------|-------------------|
| Amperage | 5A |
| Supply frequency | 50Hz |
| Supply voltage | 220 - 240V |

Product dimensions

| | |
|--------|--------------|
| Depth | 573mm |
| Height | 410mm |
| Width | 599mm |

Warranty

| | |
|------------------|----------------|
| Parts and labour | 2 years |
|------------------|----------------|

Wash Program Modifiers

| | |
|----------------|----------|
| Extra Dry | • |
| Quick | • |
| Sanitise | • |
| Wash modifiers | 3 |

Wash Programs

| | |
|---------------|----------|
| Delicate | • |
| Fast | • |
| Heavy | • |
| Medium | • |
| Normal eco | • |
| Rinse | • |
| Wash programs | 6 |

Water connection

| | |
|----------------|----------------------------------|
| Water pressure | 30kPa - 1000 kPa |
| Water supply | 3/4" BSP (20mm) Connector |

| | |
|-----|--------------|
| SKU | 82366 |
|-----|--------------|

The product dimensions and specifications in this page apply to the specific product and model. Under our policy of continuous improvement, these dimensions and specifications may change at any time. You should therefore check with Fisher & Paykel's Customer Care Centre to ensure this page correctly describes the model currently available. Fisher & Paykel Appliances Ltd 2020

Where applicable:

All appliances use energy, and energy usage typically generates carbon emissions. Fisher & Paykel Appliances' In-use Energy Carbon Emissions Estimate indicates

carbon emissions from a product's in-use energy. This is calculated either annually or per cycle, using the product's market-specific energy label energy consumption data multiplied by the carbon emissions factor for energy in your country or region.

Our In-use Energy Carbon Emissions Estimate is designed to assist customers in making informed purchasing decisions when comparing different Fisher & Paykel products. For example, a heat pump dryer typically has a lower In-use Energy Carbon Emissions Estimate than a vented dryer.



A PEACE OF MIND SALE

24 Hours 7 Days a Week Customer Support

T 0800 372 273 W www.fisherpaykel.com