

# Top Loader Washing Machine, 8kg

Series 5 | Top Load

White

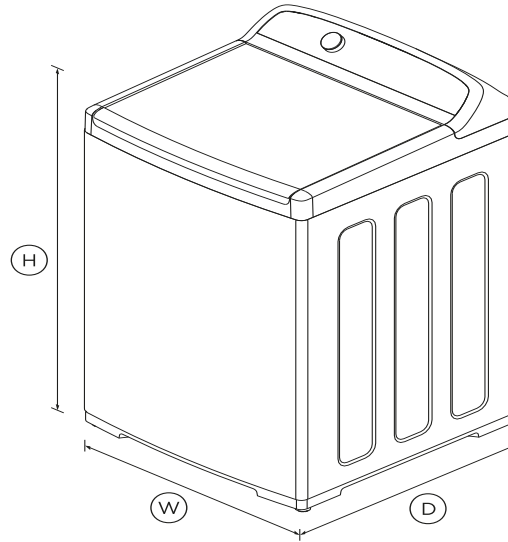


With room for large loads, this top loader runs on SmartDrive™ technology for a quieter, quicker wash.

- 12 wash cycles including Allergy, Towels, and Bulky
- 4 star energy and water rating
- Includes extra wash feature Soak, for helping to clean tough stains
- Energy saving with Eco-Active™ wash

## DIMENSIONS

|        |               |
|--------|---------------|
| Height | 1045 - 1075mm |
| Width  | 600mm         |
| Depth  | 600mm         |



## FEATURES & BENEFITS

### SmartDrive™ Technology

Our world-first SmartDrive™ technology is made up of just three main parts. This means our washing machines can sense each load, use less water and run with less moving parts for greater reliability.

### 4-Star water and energy

This top loader washing machine features both a 4-star energy rating and a 4-star water rating.

### Easy to use

This machine has a cycle to suit every type of load including Allergy, Sheets and Towels. Select a cycle with the easy-to-use

SmartTouch™ control dial.

### Easy installation

Self-levelling feet make installation easy and ensure the washer stays level, to reduce vibration and keep noise to a minimum.

### Soft-close lid

The robust glass lid has a soft close mechanism that makes it family safe, avoids slamming and allows for hands-free operation.

### Robust construction

Designed with durable, quality materials from the real stainless steel wash basket through to the glass lid.

### Perfect pair

Our washing machines and dryers make the perfect pair. Not only do they care for your clothes, they also look stylish together in your laundry.

## SPECIFICATIONS

### Consumption

|                           |         |
|---------------------------|---------|
| Annual energy consumption | 300kWh  |
| Annual water consumption  | 82L     |
| Energy rating             | 4 stars |
| Water star rating         | 4 stars |

### Features

|                                |             |
|--------------------------------|-------------|
| Adjustable alert beeps         | •           |
| Agitator                       | Low profile |
| Auto out of balance correction | •           |
| Automatic water level          | •           |
| Controlled cold                | •           |
| Delay start                    | •           |
| Detergent dispenser            | •           |
| Eco rinse                      | •           |

|                            |   |
|----------------------------|---|
| Fabric softener dispenser  | • |
| Lid lock                   | • |
| No spin / Spin Hold        | • |
| Rinse options              | 4 |
| SmartTouch™ control dial   | • |
| Soak                       | • |
| Soil levels                | 3 |
| Spin speeds                | 3 |
| Stainless steel drum       | • |
| Water temperature controls | 5 |

**Performance**

|                        |          |
|------------------------|----------|
| Auto-Lint disposal     | •        |
| Load sensing           | •        |
| Maximum spin speed     | 1100 rpm |
| Number of spin speeds  | 3        |
| SmartDrive™ technology | •        |

**Product dimensions**

|                   |               |
|-------------------|---------------|
| Depth             | 600mm         |
| Height            | 1045 - 1075mm |
| Height (Lid open) | 1350 - 1380mm |
| Width             | 600mm         |

**Warranty**

|                              |          |
|------------------------------|----------|
| Parts and labour             | 2 years  |
| Parts only SmartDrive™ Motor | 10 years |

**Wash Cycles**

|                       |    |
|-----------------------|----|
| Allergy               | •  |
| Bulky                 | •  |
| Conventional          | •  |
| Delicate              | •  |
| Easy Iron             | •  |
| Eco-Active™           | •  |
| Heavy                 | •  |
| Number of wash cycles | 12 |
| Quick                 | •  |
| Regular               | •  |
| Rinse                 | •  |
| Sheets                | •  |
| Spin                  | •  |
| Towels                | •  |

SKU 92264

TEST The product dimensions and specifications in this page apply to the specific product and model. Under our policy of continuous improvement, these dimensions and specifications may change at any time. You should therefore check with Fisher & Paykel's Customer Care Centre to ensure this page correctly describes the model currently available. ? Fisher & Paykel Appliances Ltd 2020

**Other product downloads available at fisherpaykel.com**

- [↓](#) Top Loader Washing Machine, 8kg
- [↓](#) Top Loader Washing Machine, 8kg



**A PEACE OF MIND SALE**

24 Hours 7 Days a Week Customer Support

T 1300 650 590 W www.fisherpaykel.com