

FISHER & PAYKEL

PRELIMINARY SPECIFICATION GUIDE

INTEGRATED DISHWASHER, 60CM, TALL, SANITISE



OVERVIEW

Designed to be integrated into your surrounding cabinetry for a seamless finish, these Tall models give generous internal space and installation flexibility for varying bench heights. Flexible storage allows for easy stacking, whilst the combination of clever technologies means a reliable wash performance.

MODELS

Integrated Dishwasher, 60cm, Tall, Sanitise
DW6OUT4HI2

SERIES & STYLE

Series 9
Integrated

FEATURES

- ① Designed to be integrated into your cabinetry for a seamless finish, this model can be installed under bench at heights between 857-917mm
- ② Tall height offers a generous 637mm of usable space and easily accommodates plate sizes up to 330mm
- ③ Eight wash programs including specialty Auto, Eco, 60 Min and Glassware cycles
- ④ Extra Dry, Sanitise, Half Load and Intensive wash modifiers provide extra wash options
- ⑤ Fan-assisted drying with end-of-cycle auto-door-open removes excess moisture, and leaves your dishes with a dry finish
- ⑥ Fully flexible racking including height adjustable middle basket and cup racks, foldable wine racks, full-width utensil tray and cutlery basket
- ⑦ With touch controls, floor-light cycle status indicator and interior LED lighting
- ⑧ Wi-Fi capability and a SmartHQ™ app connectivity for remote control and notifications
- ⑨ B* Star energy*
- ⑩ Quiet wash performance, running at a low decibel rating of 42dBA, B sound rating**

* Subject to change. Final certification pending.

** Noise subject to change.

FISHER & PAYKEL

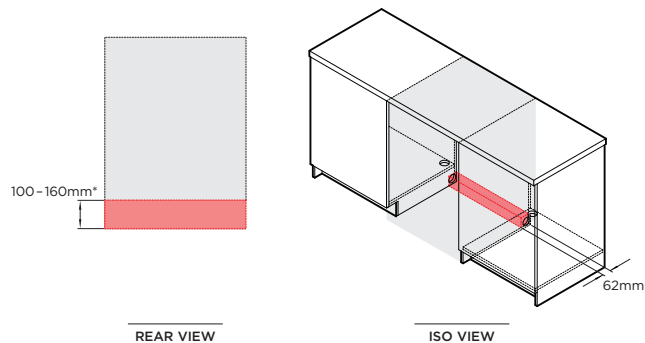
PRELIMINARY SPECIFICATION GUIDE

INTEGRATED DISHWASHER, 60CM, TALL, SANITISE

PRODUCT SPECIFICATIONS

Model No.	DW60UT4HI2
Dimensions	H 857-917mm W 597mm D 554mm
Electrical	
Supply	220-240V, 50Hz
Service	10A
Receptacle	3-prong grounding-type
Plumbing	
Supply	3/4" (20mm) BSP connector water inlet hose
Pressure	Min 0.03 Mpa (4.35psi), Max 1 Mpa (145psi) Cold water connection @ 20°C

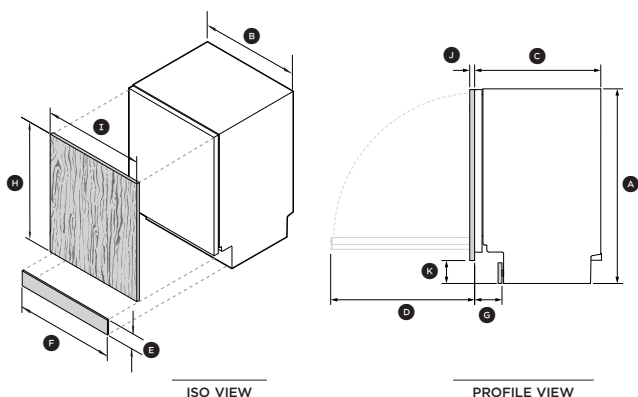
PLUMBING AND ELECTRICAL



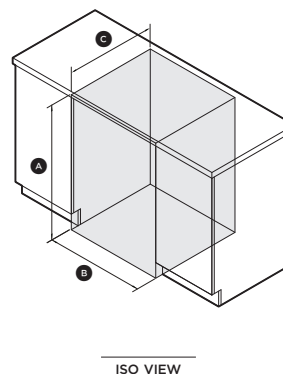
Service outlet at rear extends both sides, hoses and cords can be routed to either or both sides.

*Depending on adjustment of levelling feet.

PRODUCT DIMENSIONS



CAVITY DIMENSIONS: STANDARD INSTALLATION



	mm
(A) Overall height*	857 - 917
(B) Overall width**	597
(C) Overall depth	554
(D) Minimum depth of open door	673
(E) Height of custom toe kick panel	65 - 200
(F) Minimum width of custom toe kick panel***	596
(G) Depth of toe kick recess	50 - 120
(H) Minimum height of custom door panel	714
(I) Minimum width of custom door panel	595
(J) Depth of custom door panel	16 - 25
(K) Height from floor to door panel base	65 - 200

	mm
(A) Minimum overall height*	857
(B) Minimum overall width	600
(C) Minimum overall depth of cavity**	580

*Depending on adjustment of levelling feet

**Includes front panels

* Depending on adjustment of levelling feet

** Excluding side seals

*** Continuous toe kick installations are possible

Custom panel/toe kick panel thickness not included in these dimensions