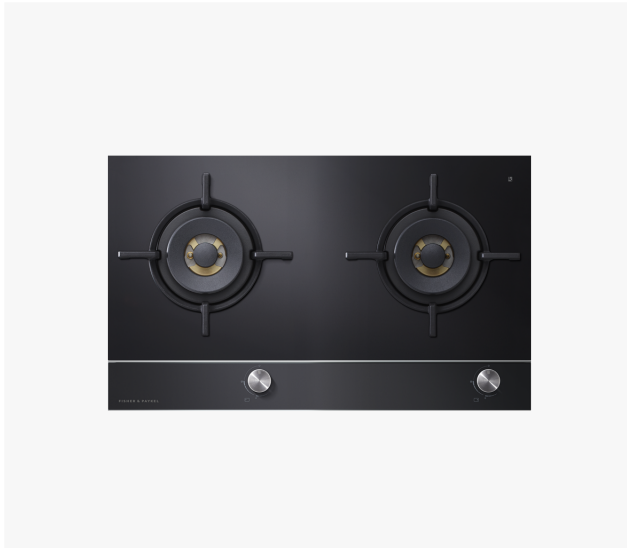


# 75cm Series 9 2 Burner Gas Cooktop, Natural Gas

Series 9 | Contemporary

Black Glass | Natural Gas

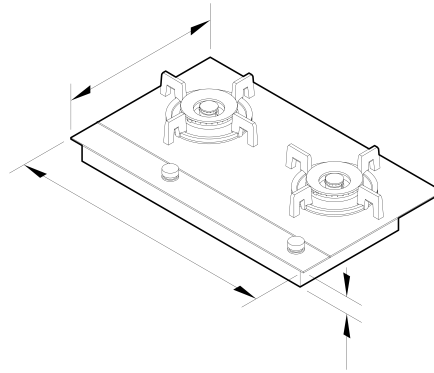


Choose this wide two-burner to suit your kitchen layout, and enjoy the flexibility of dual flame wok burners.

- A wide cooking area with two wok burners to support large cookware
- A flame-failure safety device; if the flame goes out, the gas turns off

## DIMENSIONS

Height	59 mm
Width	750 mm
Depth	450 mm



## FEATURES & BENEFITS

### Beautiful burners

Our award-winning Gas on Glass Cooktops deliver total cooking precision with the latest burner technology. The consistent flame and heat distribution of the dual flame wok burner combined with highly responsive dials offer precise heat control.

### Complementary design

The black reflective glass, brushed stainless steel and polished metal trim blend elegance with durability. Designed to match the Fisher & Paykel family of appliances.

### Precise Control

Simply turn the dials to ignite the flame quickly and safely. Precise heat adjustment from very high to very low heat can perfect a slow simmer for sauces or an intense heat for searing steaks.

### Safe And Sound

The flame failure safety device automatically turns off the gas if the flame is accidentally extinguished. Eco-friendly ceramic glass, without arsenic or heavy metals, is used in the manufacturing process.

### Easy Cleaning

Life is made a little easier with this easy to clean glass cooktop. The design allows you to simply remove the trivets, wipe down the glass and walk away.

### Handy Accessories

This cooktop comes with a small pot support and wok stand to complement different cooking styles.

## SPECIFICATIONS

### Accessories (included)

Small pan support	•
Wok stand	true

### Burner ratings

Wok burner power	4.5kW
------------------	-------

### Burners

Number of burners	2
-------------------	---

**Cleaning**

- Easy clean cooktop design
- Quick component removal

**Consumption**

Energy rating	<b>Grade 2</b>
Heating efficiency	<b>59%</b>

**Controls**

- Dual wok control
- Toughened fused glass graphics
- Turned stainless dials

**Performance**

- Cast iron trivets
- Electronic ignition
- Quick connect gas valves

**Power requirements**

Supply voltage	<b>230-240 V</b>
----------------	------------------

**Product dimensions**

Depth	<b>450 mm</b>
Height	<b>59 mm</b>
Width	<b>750 mm</b>

**Safety**

- Flame failure system



**Zones**

Number of zones	<b>2</b>
-----------------	----------

SKU	<b>81421</b>
-----	--------------

The product dimensions and specifications in this page apply to the specific product and model. Under our policy of continuous improvement, these dimensions and specifications may change at any time. You should therefore check with Fisher & Paykel's Customer Care Centre to ensure this page correctly describes the model currently available. © Fisher & Paykel Appliances Ltd 2020

**Other product downloads available at [fisherpaykel.com](http://fisherpaykel.com)**

- [↓](#) 2D-DWG Gas Cooktop
- [↓](#) Service & Warranty
- [↓](#) Installation Guide - Joining Strip
- [↓](#)  ZH
- [↓](#) Restriction of Hazardous Substances (Chinese)
- [↓](#) User Guide 

Where applicable:

All appliances use energy, and energy usage typically generates carbon emissions. **Fisher & Paykel Appliances' In-use Energy Carbon Emissions Estimate** indicates carbon emissions from a product's in-use energy. This is calculated either annually or per cycle, using the product's market-specific energy label energy consumption data multiplied by the carbon emissions factor for energy in your country or region.

Our In-use Energy Carbon Emissions Estimate is designed to assist customers in making informed purchasing decisions when comparing different Fisher & Paykel products. For example, a heat pump dryer typically has a lower In-use Energy Carbon Emissions Estimate than a vented dryer.