

FISHER & PAYKEL

DATA SHEET

Freestanding Cooker, Induction, 90cm, 5 Zones with SmartZone,
Self-cleaning

Model no:

OR90SCI6B1

OR90SCI6X1

Product Dimensions mm

Ⓐ Overall width of range	897
Ⓑ Depth optional backguard from top of cooktop (supplied with some models only)	15
Ⓒ Width of door handle (including standoff)	826
Ⓓ Depth of open door to front of range	451
Ⓔ Height from countertop to top of optional backguard	68
Ⓕ Height from countertop to bottom of control panel	148
Ⓖ Height of chassis (excl. adjustable feet)	806
Ⓙ Height from top of door to bottom of chassis	638
Ⓚ Height from handle to bottom of chassis	598
Ⓛ Thickness of handrail (not including standoff)	20
Ⓜ Height from top of warmer drawer to bottom of chassis	141
Ⓝ Overall height of product (from floor to top of cooktop, excl. grates and optional backguard)	min 898 max 946
Ⓞ Overall depth of range	652
Ⓟ Overall depth of range (from front of range to rear of backguard, excl. handles and dials)	600
Ⓠ Depth of handle (measured from front of door)	54
Ⓡ Adjustable feet height	min 84 max 132
Ⓢ Toekick depth - With optional kick panel - Without optional kick panel	52 56
Ⓣ Depth from rear of chassis to front of side panel	599
Ⓤ Width of hob rail	893

Cavity Dimensions mm

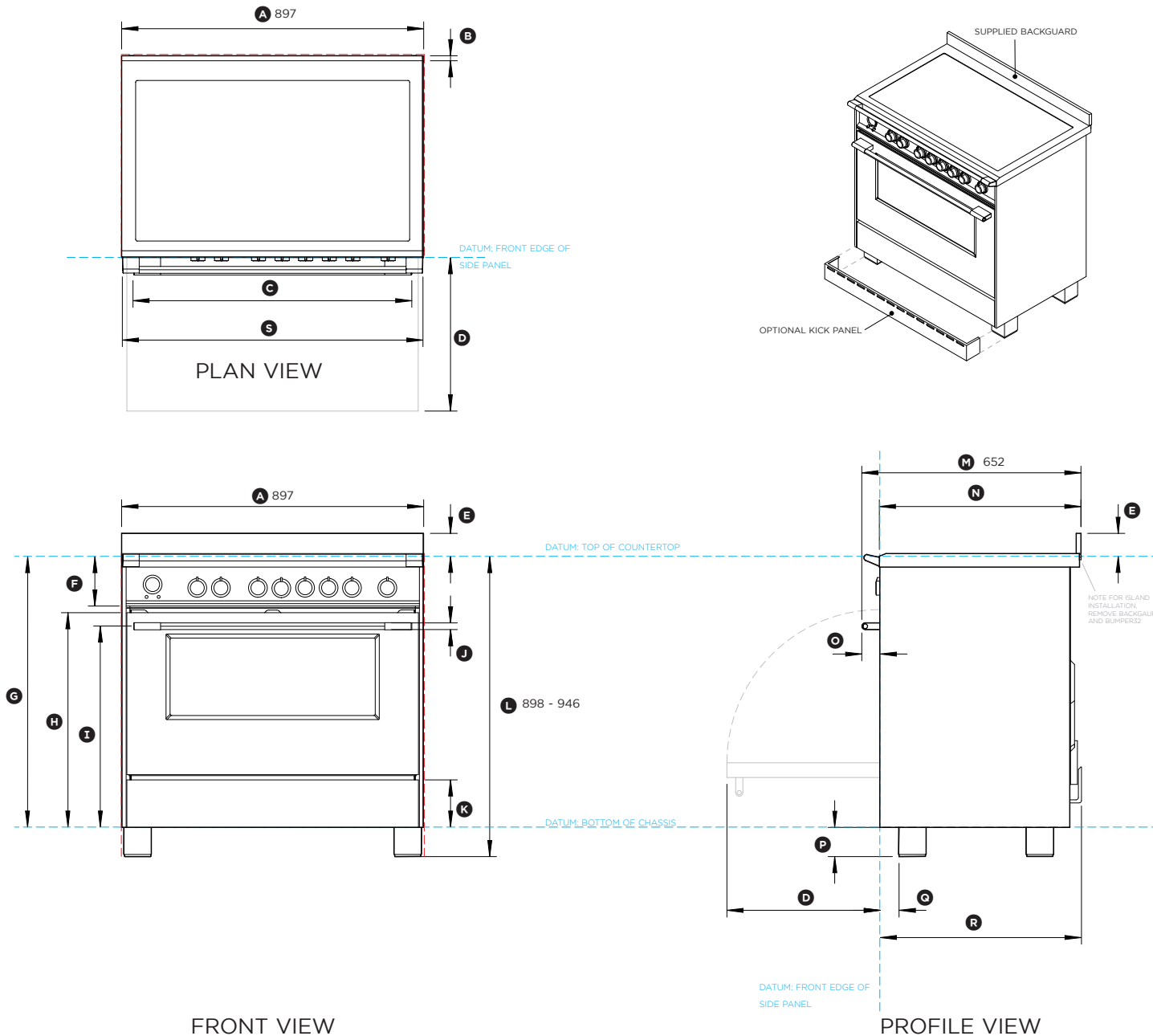
Overall width of cavity	min 900
Overall depth of cavity	600
Overall height of cavity	min 898 max 946

INDICATES CABINETRY / PRODUCT DATUM -----

INDICATES CABINETRY CLEARANCES - - - - -

DATE: 28.03.2022

IMPORTANT NOTE: Throughout this guide, dimensions may vary by ± 2 mm. Please read the installation guide for detailed information on installing the product. For full installation instructions & specifications visit fisherpaykel.com



0 100 200 400
Millimetres

FISHER & PAYKEL

DATA SHEET

Freestanding Cooker, Induction, 90cm, 5 Zones with SmartZone,
Self-cleaning

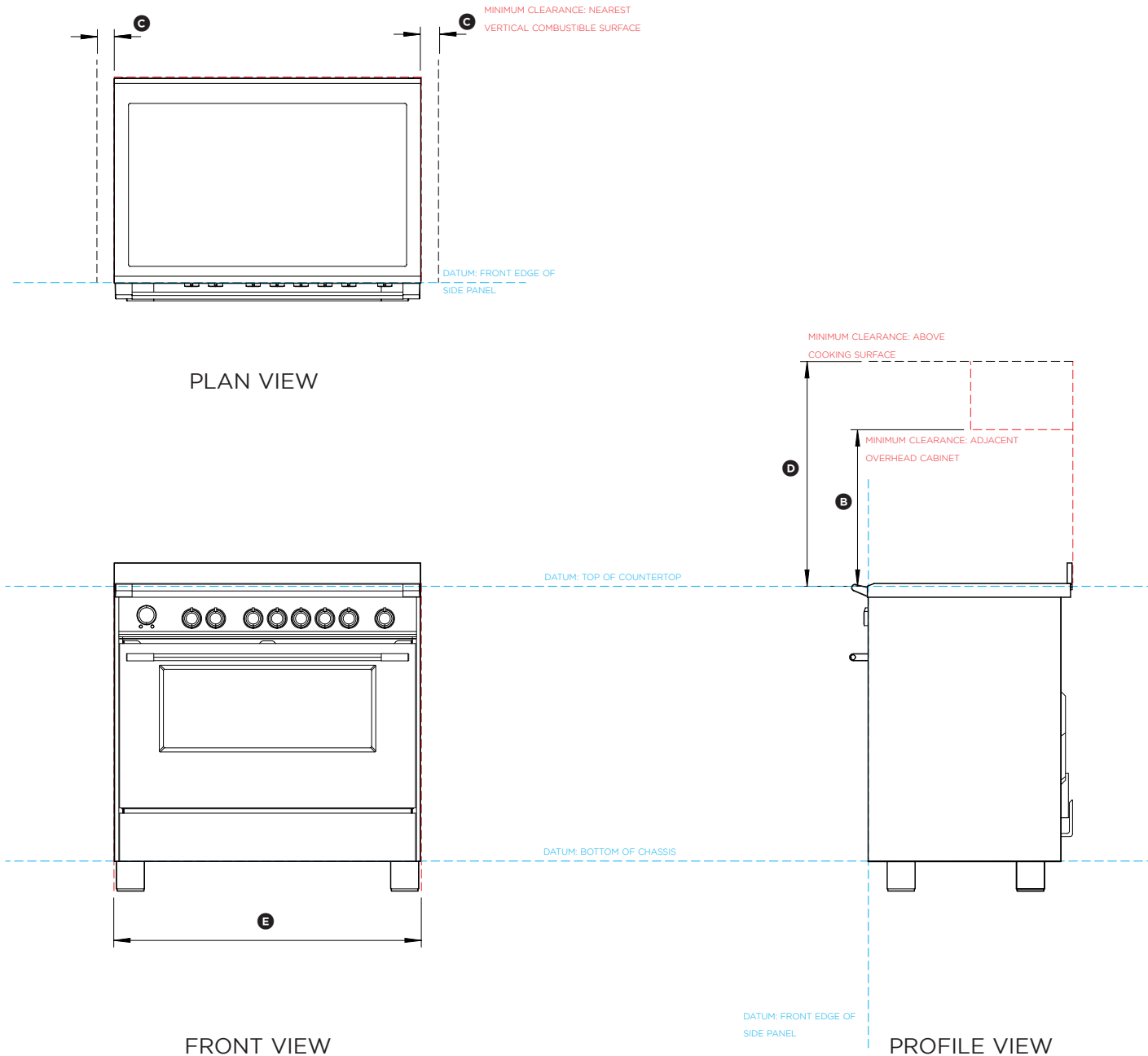
Model no:

OR90SCI6B1

OR90SCI6X1

Clearance Dimensions	mm
Ⓐ Minimum width of ventilation hood installed above range (not shown)	900
Ⓒ Minimum vertical distance between countertop and cabinet extending above counter *	450
Ⓔ Minimum clearance from range to nearest vertical combustible surface *	50
Ⓕ Minimum clearance from cooking surface to: - combustible surface centred above the cooking surface	650
- non-combustible surface centred above the cooking surface	650
Ⓖ Minimum cavity width	900

*Installation clearances and protection of combustible surfaces shall comply with the current local regulations eg. AS/NZS5601.1 (latest edition) Gas installations guide. The standards above specify that where required protection shall ensure that the surface temperature of the combustible surface does not exceed 650C above the room temperature.



INDICATES CABINETRY / PRODUCT DATUM -----
INDICATES CABINETRY CLEARANCES -----

DATE: 28.03.2022

IMPORTANT NOTE: Throughout this guide, dimensions may vary by ± 2 mm. Please read the installation guide for detailed information on installing the product. For full installation instructions & specifications visit fisherpaykel.com

FISHER & PAYKEL

DATA SHEET

Freestanding Cooker, Induction, 90cm, 5 Zones with SmartZone,
Self-cleaning

Model no:

OR90SC16B1

OR90SC16X1

Specifications

Oven Capacity

Total Capacity 140L

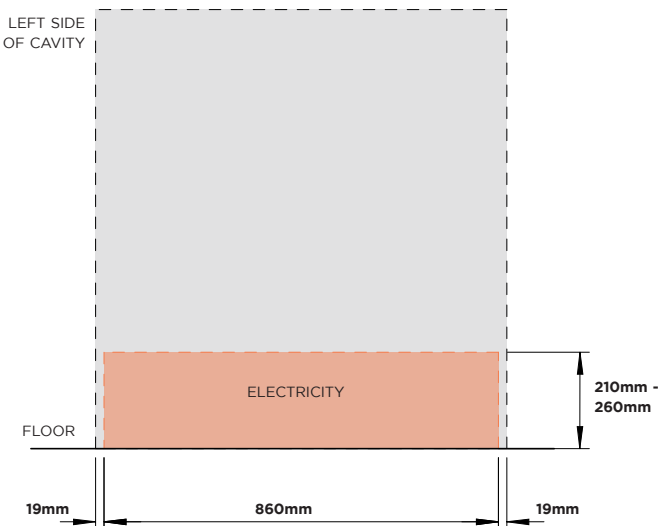
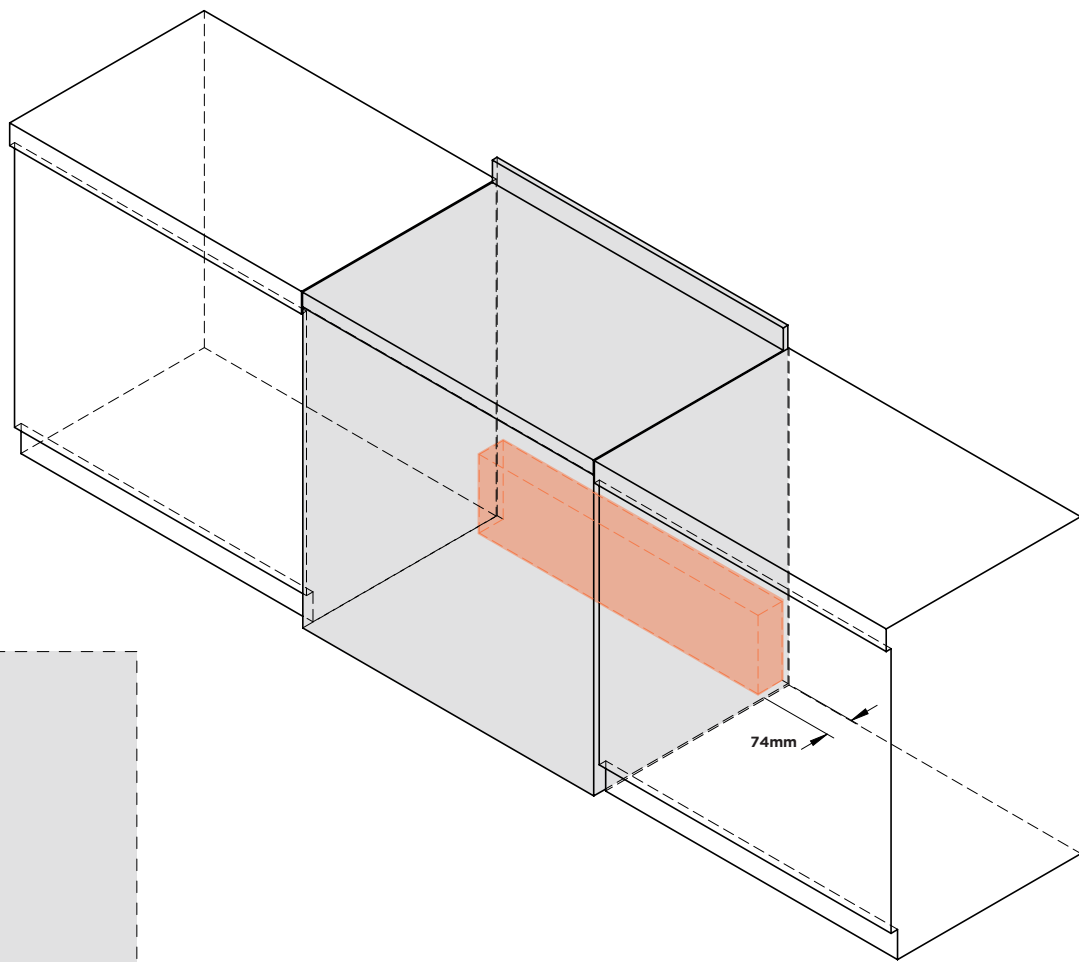
Useable Capacity 120L

Services

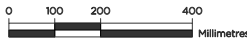
Electrical

Supply 220-240 VAC 50Hz

Amp draw 37A



FRONT VIEW OF CAVITY



INDICATES CABINETRY / PRODUCT DATUM -----
INDICATES CABINETRY CLEARANCES - - - - -

DATE: 28.03.2022

IMPORTANT NOTE: Throughout this guide, dimensions may vary by ±2mm. Please read the installation guide for detailed information on installing the product. For full installation instructions & specifications visit fisherpaykel.com