

Integrated Column Freezer, 76cm, Ice

Series 11 | Integrated

Panel Ready | Left hinge

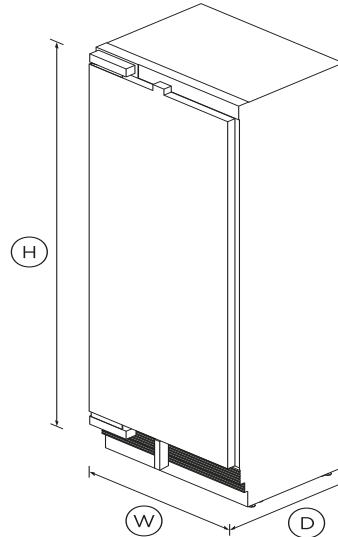


Install it separately or pair with another Column for true design freedom - this model is left hinge with stainless steel interior.

- ActiveSmart™ technology helps keep food fresher for longer by constantly maintaining the ideal temperature.
- Variable Temperature Zone lets you change a compartment to Freeze, Soft Freeze or Deep Freeze for optimal storage
- Internal ice maker with boost for busy times
- Customise with your own kitchen cabinetry or purchase our stainless steel door panel accessory

DIMENSIONS

Height	2134mm
Width	756mm
Depth	610mm



FEATURES & BENEFITS

Mix & match

Integrated Column Refrigeration gives you the freedom to mix and match. Different sized Column Refrigerators and Freezers can be installed separately or paired. Finish them with our stainless steel door panels or customise to match your own kitchen cabinetry.

Perfect fit

These models fit flush, with only 3mm gaps around them and no visible hinges or grilles. Our Integrated Column models can be

seamlessly hidden behind your cabinetry, or you can purchase our stainless steel door panel.

CLEVER ENERGY

Our ActiveSmart™ Foodcare Refrigerator Freezers adapt to daily use by cooling and defrosting only when needed. This means your refrigerator uses the energy it needs without compromising on food care.

APPEALING ILLUMINATION

Bright LEDs light up each ceiling, shelves, bins and trays in both refrigerator and freezer, making it easy to find your food and creating a welcoming glow in your kitchen for those midnight snacks.

DESIGN QUALITY

The premium design and quality finish include a stainless steel interior lining, full-extension metal shelf runners for easy access, and robust glass shelving.

EASY INSTALL

Integrated Column Refrigerators and Freezers have been developed to make their installation easy. The joiner kit is included when pairing refrigerators and freezers. All models come with front adjustable levelling feet and they've been designed to easily slide into place as separate units.

SPECIFICATIONS

Accessories (sold separately)

Door panel stainless steel Left	RD7621L10D
Door panel stainless steel Right	RD7621R10D
Handle kit Contemporary	AHS-RD21
Handle kit Contemporary	AHD5RDSF
Handle kit Contemporary	AHD5RDSFB
Handle kit Contemporary	AHD3-RD21
Joiner kit	25328
Toe kick stainless steel	AKRS13710

Toe kick stainless steel	AKRS15210
Toe kick stainless steel 762mm	AKRS7610
Water filter replacement	847200 - FWC3

Cabinetry height with included	2134mm
Minimum inside width of	762mm
Minimum internal depth of	635mm
Minimum internal height of	2134mm

SKU 26143

Capacity

Volume freezer	442L
----------------	-------------

Features

Adjustable door shelves	4
Adjustable glass cantilevered	•
Adjustable glass shelves	3
Door alarm	•
LED bin lighting	•
LED ceiling lighting	•
LED side lighting	•
SmartTouch interface at	•

Freezer Features

Automatic ice maker	•
Bottle chill	•
Door alarm	•
Fast freeze	•
Freezer bins	4
Ice Boost	•
LED bin lighting	•
LED ceiling lighting	•
LED side lighting	•
SmartTouch interface at	•

Installation Dimensions

Performance

ActiveSmart™ Foodcare	•
Adaptive defrost	•
Dual evaporator	•
Frost free	•
Inverter controlled compressor	•
Noise emissions	42dBA
Noise emissions class	D
Sabbath mode	•
Variable food modes	Soft freeze; Freeze; Deep
Variable temperature zones	2

Power requirements

Rated current	10A
Supply frequency	50Hz
Supply voltage	220 - 240V

Product dimensions

Depth	610mm
Height	2134mm
Width	756mm

Warranty

Parts and labour	2 years
Sealed system parts only	additional 3 years

The product dimensions and specifications in this page apply to the specific product and model. Under our policy of continuous improvement, these dimensions and specifications may change at any time. You should therefore check with Fisher & Paykel's Customer Care Centre to ensure this page correctly describes the model currently available. ? Fisher & Paykel Appliances Ltd 2020

Other product downloads available at fisherpaykel.com

- [↓](#) Service & Warranty
- [↓](#) User Guide Integrated Refrigerator Freezer EN
- [↓](#) Installation Guide Integrated Column Refrigerator
- [↓](#) Installation Guide Toe Kick
- [↓](#) Water Filter Replacement Instructions & Installation Guide EN
- [↓](#) Specification Guide
- [↓](#) Data Sheet Integrated Column Freezer
- [↓](#) Data Sheet Integrated Column Freezer Dual Install (457mm +762mm)
- [↓](#) Data Sheet Integrated Column Freezer Dual Install (610mm + 762mm)
- [↓](#) Data Sheet Integrated Column Freezer Dual Install (762mm + 762mm)
- [↓](#) Data Sheet Integrated Column Freezer with Contemporary Square Handle Kit
- [↓](#) Data Sheet Integrated Column Freezer with Contemporary Round Handle Kit
- [↓](#) Planning Guide
- [↓](#) Key Purchase Decisions Integrated Column



A PEACE OF MIND SALE
24 Hours 7 Days a Week Customer Support
T +65 6741 0777 **W**www.fisherpaykel.com