

# Wall Cooker Hood, 120cm, Box Chimney

Series 7 | Contemporary

Stainless Steel and Glass

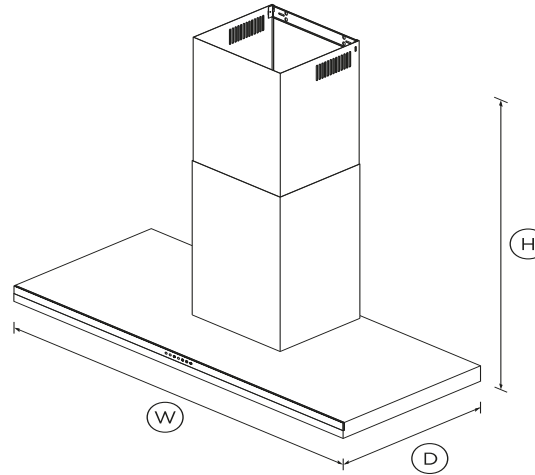


The wall chimney rangehood has a contemporary styling, extracting steam, grease and cooking odours quietly and efficiently.

- With four fan speeds, plus boost function, select the perfect extraction rate for your cooking
- Powerful maximum air movement 617m<sup>3</sup>/hr
- Dishwasher safe filters that are easy to remove and clean

## DIMENSIONS

Height	600-1035mm
Width	1200mm
Depth	500mm



## FEATURES & BENEFITS

### EFFECTIVE AND QUIET

Odours can linger in the kitchen well after cooking is finished. This cooker hood offers four fan speeds plus a boost function for powerful extraction to quickly remove steam and odours. The timer keeps the cooker hood working for up to 15 minutes before automatically turning off.

### SIMPLE TO USE

This Fisher & Paykel chimney cooker hood features a sleek and easy to use touch-control panel. Low energy, dimmable LED

lights provide superb illumination over the entire cooking surface.

### EASY CLEANING

Designed for simple removal, the filters are easy to clean and dishwasher safe. The stainless steel mesh cover just needs a quick wipe to keep clean. An alert reminds you when to clean the filter to ensure you get the best performance out of your cooker hood.

### DESIGNED TO MATCH

This wall chimney cooker hood features sleek black glass and stainless steel styling which will complement any contemporary kitchen and is designed to match the rest of Fisher & Paykel's kitchen appliance family.

## SPECIFICATIONS

### Accessories

Aluminium filter	791938
------------------	--------

### Accessories (sold separately)

Chimney extension	791774
Eave ducting kit	RHK150E
Light bulb	792556
Recirculation carbon filter	792481
Recirculation diverter	792560
Side wall ducting kit	RHK150W

### Consumption

Energy rating	B
---------------	---

### Fan ratings

Maximum air movement	617m <sup>3</sup> /hr
----------------------	-----------------------

Maximum pressured air	617m <sup>3</sup> /hr
Maximum sound rating	69dB

#### Installation and cleaning

Dishwasher safe filters	4
Ducted	Top extraction
Recirculation	Optional - top extraction
Stainless steel filter cover	•
Two piece height adjustable	•

#### Performance

Airflow balancing plate	•
Extraction type	Surface
Fan speeds	4
Filter type	Mesh with Stainless Steel filter
Number of filters	4

#### Power requirements

Lighting power	7W
Motor power	130W
Rated current	3A
Supply frequency	50Hz
Supply voltage	220-240VV
Total Power	137W

#### Product dimensions

Depth	500mm
Height	600-1035mm
Width	1200mm

#### Product information

Control type	Capacitive touch
--------------	------------------

#### Ventilation features

Dimmable lights	•
Light type	LED
Timer function	•

#### Warranty

Parts and labour	5 years
------------------	---------

SKU	50113
-----	-------

The product dimensions and specifications in this page apply to the specific product and model. Under our policy of continuous improvement, these dimensions and specifications may change at any time. You should therefore check with Fisher & Paykel's Customer Care Centre to ensure this page correctly describes the model currently available. ? Fisher & Paykel Appliances Ltd 2020

#### Other product downloads available at fisherpaykel.com

- [↓](#) Service & Warranty
- [↓](#) User Guide
- [↓](#) Installation Guide
- [↓](#) Data Sheet Wall Rangehood



#### A PEACE OF MIND SALE

24 Hours 7 Days a Week Customer Support

T 08000 886 605 W [www.fisherpaykel.com](http://www.fisherpaykel.com)