

# Combination Microwave Oven, 60cm, 22 Function

Series 9 | Contemporary

Stainless Steel

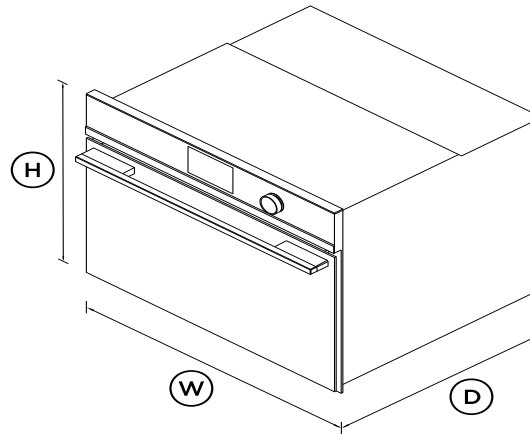


The speed of microwave cooking with the versatility of convection oven technology in a compact companion model, for perfect pairing.

- Compact size, designed to fit flush with cabinetry
- Generous 49L capacity, with four shelf positions
- A Wired Temperature Sensor precisely monitors cooking in real time
- Guided touchscreen cooking makes it simple to navigate cooking processes

## DIMENSIONS

|        |       |
|--------|-------|
| Height | 458mm |
| Width  | 596mm |
| Depth  | 565mm |



## FEATURES & BENEFITS

### COOKING FLEXIBILITY

Choose from 22 functions, including four microwave-only functions, 14 traditional oven functions, and four combination functions, giving you the best microwave and convection oven technology.

### COOK WITH CONFIDENCE

The 5" screen provides an intuitive guided cooking experience that helps to deliver perfect results, whether you've been cooking all your life or are just starting out.

### SIZED TO SUIT

A compact 60cm width means this microwave oven can be placed almost anywhere – all companion products can be installed at a convenient height to suit your kitchen design and preference.

### COMPLEMENTARY DESIGN

Finished in stylish stainless steel with a polished metal trim, our Contemporary style ovens help you to create a coherent, distinctive aesthetic in your kitchen.

### MULTI-FUNCTION FLEXIBILITY

Each function has been tailored and tested to ensure perfect defrosting, heating and cooking.

### SAFE AND SOUND

The CoolTouch door is safe to touch from the outside, protecting your hands and the surrounding cabinetry.

## SPECIFICATIONS

### Accessories

|                          |   |
|--------------------------|---|
| Chromed shelf runners    | • |
| Glass tray               | 1 |
| Step down wire shelf     | 1 |
| Wire shelf               | 1 |
| Wired temperature sensor | 1 |

### Capacity

|                 |     |
|-----------------|-----|
| Shelf positions | 4   |
| Total capacity  | 49L |
| Usable capacity | 38L |

### Cleaning

|                                |   |
|--------------------------------|---|
| Acid resistant graphite enamel | • |
|--------------------------------|---|

- Removable oven door •
- Removable oven door inner •
- Removable shelf runners •

**Controls**

- Adjustable audio and display •
- Audio feedback •
- Automatic cooking/minute •
- Automatic pre-set •
- Certified Sabbath mode •
- Delay start •
- Electronic clock •
- Electronic oven control •
- Food probe •
- Guided cooking by food types •
- Halogen lights •
- Intuitive touchscreen display •
- Multi-language display **UK English, US English,**
- Soft close doors •
- Turned stainless steel dials •
- Wireless temperature sensor •

**Functions**

- Air fry •
- Bake •
- Defrost •
- Dehydrate •
- Fan bake •
- Fan forced •
- Fan forced + Micro (3 levels) •

- Fan grill •
- Fan grill + Micro (3 levels) •
- Grill •
- Grill + Micro (3 levels) •
- Microwave cooking •
- Number of functions **22**
- Pastry Bake •
- Pizza bake •
- Popcorn •
- Quick start •
- Rapid proof •
- Roast •
- Roast + Micro (3 levels) •
- Slow cook •
- Vent bake •
- Warm •

**Performance**

- ActiveVent System •
- AeroTech Technology •
- Automatic rapid pre-heat •
- Grill power **3000W**
- Microwave by levels •
- Microwave power **900W**
- Microwave power levels **6**
- Temperature range **35 - 230°C**
- Whisper quiet cooking •

**Power requirements**

- Amperage **20A**

- Supply frequency **50Hz**
- Supply voltage **220-240V**

**Product dimensions**

- Depth **565mm**
- Height **458mm**
- Width **596mm**

**Safety**

- Balanced oven door •
- Control panel key lock •
- CoolTouch door •
- Non-tip shelves •
- Safety thermostat •

**Warranty**

- Parts and labour **2 years**

SKU **82670**

The product dimensions and specifications in this page apply to the specific product and model. Under our policy of continuous improvement, these dimensions and specifications may change at any time. You should therefore check with Fisher & Paykel's Customer Care Centre to ensure this page correctly describes the model currently available. ? Fisher & Paykel Appliances Ltd 2020

---

Other product downloads available at [fisherpaykel.com](https://fisherpaykel.com)



Service & Warranty



Data Sheet Combination Microwave Oven



Data Sheet Combination Microwave Oven



**A PEACE OF MIND SALE**

24 Hours 7 Days a Week Customer Support

T 400 640 8777 [Wwww.fisherpaykel.com](https://www.fisherpaykel.com)