

# Oven, 60cm, 9 Function, Self-cleaning

Series 7 | Contemporary

Black

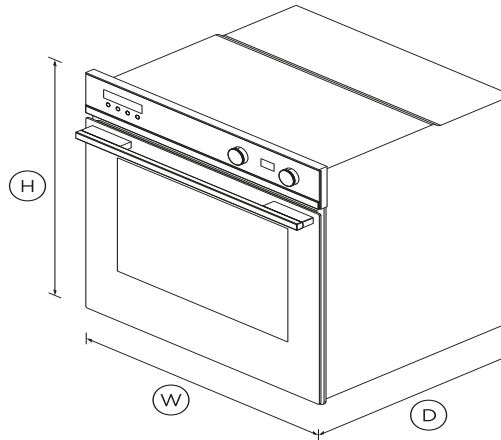


With generous capacity and beautiful black Contemporary styling, this built-in oven will complement your kitchen design perfectly.

- 85L total capacity, with 9 oven functions including Pizza Bake and Roast
- Moisture level control with ActiveVent™ technology
- Pyrolytic self-cleaning function breaks down food residue for an easy clean

## DIMENSIONS

Height	598mm
Width	596mm
Depth	565mm



## FEATURES & BENEFITS

### Multi-Function Flexibility

Nine functions including Roast, Pizza Bake and Fan Grill mean no matter what you're cooking, you've got the right heat to match.

### Beauty of choice

With the choice of stylish stainless steel or elegant black, you can choose the finish that complements your kitchen design best.

### Generous Capacity

With a generous-sized internal cavity, you can create several

dishes at once using multiple shelves.

### Activevent Technology

With ActiveVent technology for optimised moisture levels and AeroTech for even heat distribution, you'll get perfect results even when using multiple shelves.

### Simple cleaning

Pyrolytic self-clean breaks down food residue at a very high temperature, leaving a light ash that's easily removed with a damp cloth.

### Safe and sound

The CoolTouch door features triple glazing and a cooling system that ensures it's safe to touch from the outside – protecting both your hands and the surrounding cabinetry.

## SPECIFICATIONS

### Accessories

Grill rack	1 set
Roasting dish	1
Smokeless grill tray	1
Step down wire shelf	1

### Accessories (sold separately)

Optional round handle	Part 81645
-----------------------	------------

### Capacity

Shelf positions	6
Total capacity	85L
Usable capacity	72L

### Cleaning

Acid resistant graphite enamel	•
--------------------------------	---

- Pyrolytic self-clean
- Removable oven door
- Removable oven door inner

**Controls**

- Audio feedback
- Automatic cooking/minute
- Automatic pre-set
- Celsius/Fahrenheit
- Electronic clock
- Electronic oven control
- Soft close doors

**Functions**

- Bake
- Classic bake
- Fan bake
- Fan forced
- Fan grill
- Grill
- Number of functions **9**
- Pastry Bake with Pizza mode
- Pizza bake
- Pyrolytic self-clean
- Roast

**Performance**

- ActiveVent™ system
- AeroTech™ technology
- Automatic rapid pre-heat

- Grill power **3000W**
- Whisper quiet cooking

**Power requirements**

- Amperage **15A**
- Supply frequency **50Hz**
- Supply voltage **220 - 240V**

**Product dimensions**

- Depth **565mm**
- Height **598mm**
- Width **596mm**

**Safety**

- Balanced oven door
- Catalytic venting system
- Control panel key lock
- CoolTouch door
- Non-tip shelves

SKU **82145**

The product dimensions and specifications in this page apply to the specific product and model. Under our policy of continuous improvement, these dimensions and specifications may change at any time. You should therefore check with Fisher & Paykel's Customer Care Centre to ensure this page correctly describes the model currently available. Fisher & Paykel Appliances Ltd 2020

**Where applicable:**


All appliances use energy, and energy usage typically generates carbon emissions. **Fisher & Paykel Appliances' In-use Energy Carbon Emissions Estimate** indicates

carbon emissions from a product's in-use energy. This is calculated either annually or per cycle, using the product's market-specific energy label energy consumption data multiplied by the carbon emissions factor for energy in your country or region.


Our In-use Energy Carbon Emissions Estimate is designed to assist customers in making informed purchasing decisions when comparing different Fisher & Paykel products. For example, a heat pump dryer typically has a lower In-use Energy Carbon Emissions Estimate than a vented dryer.

---

Other product downloads available at [fisherpaykel.com](https://fisherpaykel.com)

 [Service & Warranty](#)

 [Installation Guide Built-In Oven](#)

 [Data Sheet Oven](#)



**A PEACE OF MIND SALE**

24 Hours 7 Days a Week Customer Support

**T** +65 6741 0777 **W** [www.fisherpaykel.com](https://www.fisherpaykel.com)