

FISHER & PAYKEL

INTEGRATED COLUMN

SINGLE AND MULTIPLE PRODUCT INSTALLATION

REFRIGERATOR & FREEZER

RS6121S, RS6121SH, RS7621S, RS7621SH RS4621F, RS6121F & RS7621F

REFRIGERATOR-FREEZER

RS6121W, RS7621W, RS9121W & RS9121A

WINE CABINET

RS6121V

INSTALLATION GUIDE

CN

⚠ WARNING!



Electric Shock Hazard

Failure to follow this advice may result in electrical shock or death.

- Read and follow the safety and warnings outlined in this User guide before operating this appliance.

⚠ WARNING!



Cut Hazard

Failure to use caution could result in injury.

- Take care: panel edges may be sharp.
- Do not put fingers in the drawers when closing.

⚠ WARNING!



Tip Hazard

- This product may tip until it is fully installed. Keep children away and take care. Failure to follow this advice may result in injury.

- This appliance is top-heavy and must be secured to prevent the possibility of tipping forward.

To ensure that the appliance is stable under all loading conditions:

- The anti-tip bracket and fittings supplied must be installed by a professional installer according to the installation steps in this guide.

SAFETY AND WARNINGS

READ AND SAVE THIS GUIDE

WARNING!

To avoid hazard, follow these instructions carefully before installing or using this appliance.

- Please make this information available to the persons installing the appliance.
- Assume all electrical parts are live.
- Disconnect power supply before servicing and installation.

BEFORE INSTALLATION

- The appliance has front and rear rollers to easily move forward and backward. Do not move the appliance sideways to avoid damaging the rollers or the floor covering/surface.
- Ensure your appliance is not exposed to any heat generating appliance, for example, a cooktop, oven or dishwasher.
- The appliance must be installed by a qualified installer, or Fisher and Paykel trained and supported service technician to avoid faulty electrical and plumbing connections.
- All connections for electrical power and grounding must comply with local codes and ordinances and be made by licensed personnel when required.
- Avoid installation of the appliance/s under a ground fault circuit interrupter (GFCI).
- Ensure the appliance is installed properly. Improper installation that results in appliance failure is not covered under the appliance warranty.

UNPACKING

- The appliance is heavy and requires at least two persons to move and install.
- Remove the installation kit (internal box) and trims kit (external box) while the product is still on the pallet.
- Avoid scratching the surface of your appliance when moving or installing.
- Keep the appliance stable and door closed to prevent tipping over when moving to the installation location.
- Ensure the feet of the appliance are retracted before moving to the installation location.
- If the appliance is damaged, contact your Fisher and Paykel dealer.
- Ensure all components and accessories are complete.
- Record the model and registration numbers for future servicing or repair of your appliance.

ELECTRICAL/PLUMBING

- Electrical and water supply connections for these appliances can be located in an adjacent area or unit (cabinet or cupboard) that are easily accessible in case of repair or disconnection.
- Ensure an isolating switch is available if electrical connection is not accessible.

SAFETY AND WARNINGS

INSTALLATION

- The anti-tip bracket and fittings supplied must be fitted to the wall of the finished enclosure to withstand a 100kg load.
- Ensure that the anti-tip bracket is installed correctly to prevent the possibility of the appliance tipping forward when the door is open.
- Ensure the door of the appliance is closed when rolling into the cabinetry.
- Ensure the power cord is not run over or damaged when rolling the product into the cabinetry.
- For flush installation, ensure the door panels are installed flush with cabinetry front surface. Ensure the appliance is properly centered.
- All four corners of the appliance must be supported firmly on the floor to eliminate any movement. Installing the appliance on a soft, uneven, or not level floor may cause twisting and poor door sealing.
- Use low speed, low torque setting when using a powered driver for the screws when fixing or aligning the product.
- Open the appliance door to remove the alignment brackets from both sides of the appliance, and then re-tighten the screws.
- When removing the top door extrusion, ensure the magnet remains in place and not damaged as this will affect the operation of the appliance.

Stainless steel panel

- Protect the finish of the Fisher and Paykel Stainless Steel door panels from any scratch or damage.
- Remove the blue tape attached to inner edges of the door panels after the handles are installed.
- We recommend to load the shelves in the appliance door with weights to ensure an accurate door panel gap width while installing panel.

Custom panel

- If using Custom door panels, ensure they are prepared as per 'Custom door panel install dimensions' section.
- The thickness of the custom door panel can vary as long as the screws do not penetrate beyond the full depth of the door panel, and as long as the overall weight of door panel does not exceed the allowable weight. Refer to the planning guide for maximum door panel weight of your product.
- Do not place the handle holes in marked areas to avoid clashing with panel attachment brackets.
- Minimum panel thickness where screw hole is drilled must be 16mm.

Changing the door hinge (optional)

- Door hinges are interchangeable for each model. A hinge change kit is available and can be purchased separately if you prefer to change from 'right hinge door' to 'left hinge door' or vice versa.

PARTS SUPPLIED

INSTALLATION KIT (INTERNAL BOX)

Custom panel attachment kit

- Side bracket (12)
- Bracket slider (12)
- Side spacer bracket (12)
- M5x12 Cross-head screw (44)

Anti-tip bracket assembly

- Anti-tip bracket (1)
- Masonry plug (5)

Miscellaneous parts

- Hinge limiting pin (3)
- Air toe kick seal (1)

French Door Refrigerator Freezer kit

- Side bracket (20)
- Bracket slider (20)
- Side spacer bracket (20)
- M5x12 Cross-head screw (66)

- 10-12x35mm crosshead screw (5)

- Flow divider cap (1)

TRIMS INSTALLATION KIT (EXTERNAL BOX)

Refrigerator, Freezer, Wine Cabinet

- Door panel side cover (2)
- Door panel template (1)

Refrigerator-Freezer

- Upper door panel side cover (2)
- Drawer top trim (1)
- Lower drawer panel side cover (2)
- Door panel template (1)

French Door Refrigerator-Freezer

- Upper door panel side cover (4)
- Drawer top trim (1)
- Lower drawer panel side cover (2)
- Door panel template (1)

MISCELLANEOUS ITEMS (MI) PACK

Refrigerator-Freezer, Refrigerator, Freezer,

- Safety Guide

Wine Cabinet

- Safety Guide
- Air carbon filters #862755 (2)

WATER CONNECTION KIT

Ice & Water models only

- Water filter (pre-installed)
- 6mm Stainless steel braided hose with 7/16-24 UNS thread (1)
- Collet locking clip (1)
- 6.35mm Adaptor (2)

PARTS SUPPLIED

INSTALL JOINER KIT

Used for combined installation of multiple appliances. Supplied in selected appliances only (Freezer and Wine Cabinets). For other models, the joiner kit (AJ-RS84LR) can be purchased separately through an authorised Fisher and Paykel dealer. Visit fisherpaykel.com for more information.

Joiner fastener kit

- | | |
|--|---|
| <input type="checkbox"/> Joiner Sleeve (2) | <input type="checkbox"/> Bolt M5 HEX (2) |
| <input type="checkbox"/> Screw WSH M6 (1) | <input type="checkbox"/> Flange Joiner Trim (2) |
| <input type="checkbox"/> M6 Hex Nut (1) | |

Trim

- Aluminium center trim (1)

HINGE SWAP KIT (NOT SUPPLIED)

Hinge swap kits can be purchased separately through an authorised Fisher and Paykel dealer. Visit fisherpaykel.com for more information.

HINGE KIT	REFRIGERATOR OR FREEZER			WINE CABINET	REFRIGERATOR-FREEZER		
	46cm	61cm	76cm	61cm	61cm	76cm	91cm
LEFT TO RIGHT	848186P	848188P	848190	864757P	848184P	848184P	848184P
RIGHT TO LEFT	848185P	848187P	848189	864759P	848183P	848183P	848183P

Right hand to left hand kit

- | | |
|---|--|
| <input type="checkbox"/> M5 hex nut (2) | <input type="checkbox"/> Left bracket adapter K05 (2) |
| <input type="checkbox"/> Left hinge bracket (1) | <input type="checkbox"/> Left top alcove bracket (2) |
| <input type="checkbox"/> Left top hinge bracket (1) | <input type="checkbox"/> Left top hinge pocket (1) |
| <input type="checkbox"/> Dual lock tape (4) | <input type="checkbox"/> Top grille (1)
<small>(refrigerator, freezer and wine cabinet kits only)</small> |

Left hand to right hand kit

- | | |
|--|--|
| <input type="checkbox"/> M5 hex nut (2) | <input type="checkbox"/> Right bracket adapter K05 (2) |
| <input type="checkbox"/> Right hinge bracket (1) | <input type="checkbox"/> Right top alcove bracket (2) |
| <input type="checkbox"/> Right top hinge bracket (1) | <input type="checkbox"/> Right top hinge pocket (1) |
| <input type="checkbox"/> Dual lock tape (4) | <input type="checkbox"/> Top grille (1)
<small>(refrigerator, freezer and wine cabinet kits only)</small> |

TOOLS

Supplied

- Spanner
- Hex driver 8mm bit
- M4 hex key

Not supplied

- Powered driver
- Flathead screwdriver
- Cross-head screwdriver
- Hand truck
- Cutter
- T20 star-head screwdriver
(Used for changing hinge)
- 8mm socket wrench
(Used for joiner bolts)
- 13mm socket wrench
(Used for drawer panel of Refrigerator-Freezer model)
- Hacksaw
(For cutting air flow divider to length)



More information about available accessories can be found in the planning guide. To access the Planning Guide, scan the QR code or visit fisherpaykel.com/specify. Search by appliance type, product name or model code.

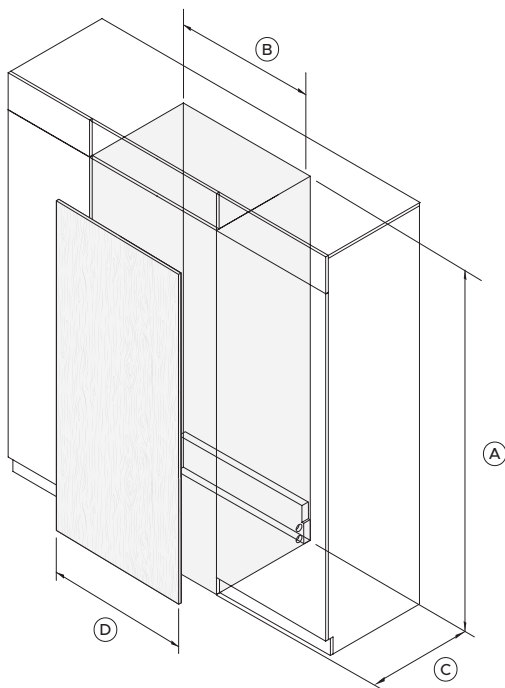
ACCESSING YOUR PRODUCT SPECIFICATIONS



For full product, cabinetry and service specifications, refer to the **Planning Guide**. To access the Planning Guide, scan the QR code or visit fisherpaykel.com/specify. Search by appliance type, product name or model code.

Single installation cavity dimensions.

All other product, cavity and panel dimensions can be found in the planning guide. The installation guide and the planning guide should be used together to achieve an optimal installation.



CAVITY DIMENSIONS SINGLE INSTALL	46cm	61cm	76cm	91cm	91cm French Door
	mm	mm	mm	mm	mm
A Overall height of cavity	2134	2134	2134	2134	2134
B Overall width of cavity	457	610	762	914	914
C Minimum overall depth of cavity*	635	635	635	635	635
D Custom door and drawer panel widths	451	603	756	908	Doors 452.5 Drawer 908

8 *Assumes a door panel thickness of 19mm.

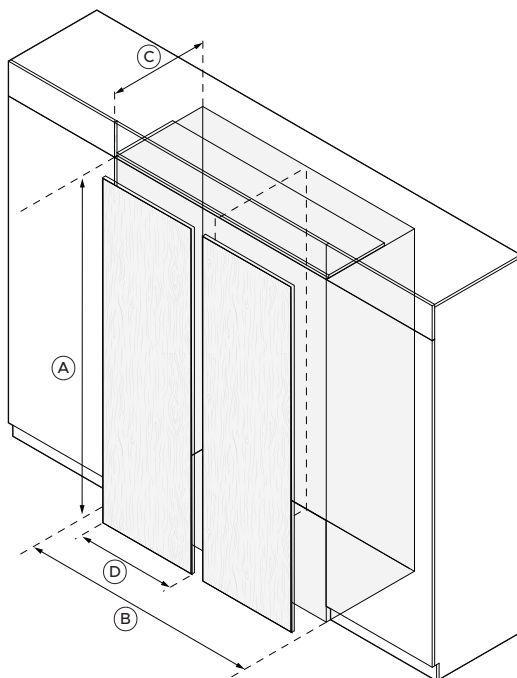
ACCESSING YOUR PRODUCT SPECIFICATIONS



For full product, cabinetry and service specifications, refer to the **Planning Guide**. To access the Planning Guide, scan the QR code or visit fisherpaykel.com/specify. Search by appliance type, product name or model code.

Dual installation cavity dimensions.

All other product, cavity and panel dimensions can be found in the planning guide. The installation guide and the planning guide should be used together to achieve an optimal installation.



CAVITY DIMENSIONS DUAL INSTALL	46cm	61cm	76cm	91cm	91cm French Door**
	mm	mm	mm	mm	mm
A Overall height of cavity	2134	2134	2134	2134	2134
B Overall width of cavity	915	1219	1525	1829	1829
C Minimum overall depth of cavity*	635	635	635	635	635
D Custom door and drawer panel widths	453	605	758	910	Doors 453.5 Drawer 910

*Assumes a door panel thickness of 19mm. **Side by side installation of French Door models is not recommended as hinges will clash, check the planning guide for options.

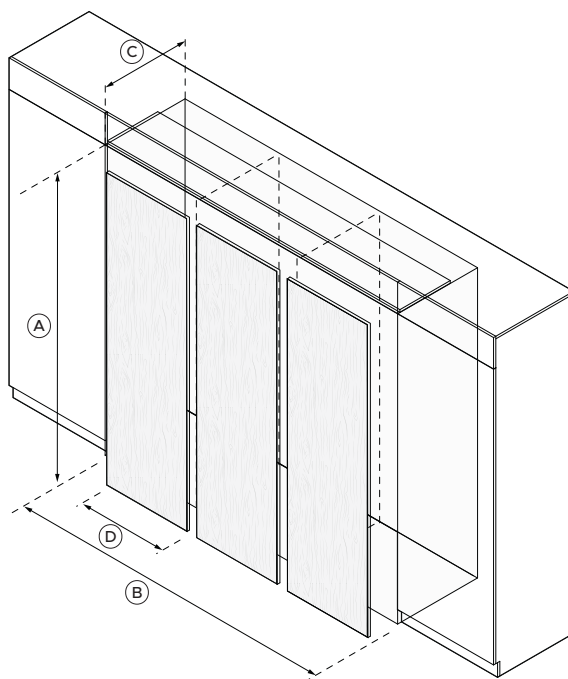
ACCESSING YOUR PRODUCT SPECIFICATIONS



For full product, cabinetry and service specifications, refer to the **Planning Guide**. To access the Planning Guide, scan the QR code or visit fisherpaykel.com/specify. Search by appliance type, product name or model code.

Triple installation cavity dimensions.

All other product, cavity and panel dimensions can be found in the planning guide. The installation guide and the planning guide should be used together to achieve an optimal installation.



CAVITY DIMENSIONS TRIPLE INSTALL	46cm	61cm	76cm	91cm	91cm French Door**
	mm	mm	mm	mm	mm
A Overall height of cavity	2134	2134	2134	2134	2134
B Overall width of cavity	1371	1829	2286	2742	2742
C Minimum overall depth of cavity*	635	635	635	635	635
D Custom door and drawer panel widths	453	605	758	910	Doors 453.5 Drawer 910

*Assumes a door panel thickness of 19mm. **Side by side installation of French Door models is not recommended as hinges will clash, check the planning guide for options.

PRIOR TO INSTALLATION

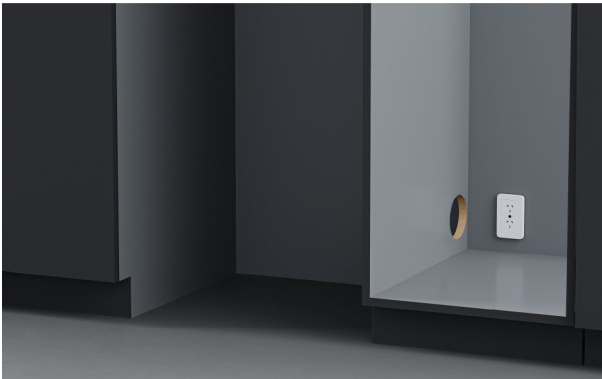


fisherpaykel.com/specify

- 1. Measure cavity dimensions.**
Ensure minimum specifications have been met and clearances have been considered.



- 2. Ensure floor is level and clear**
and a finished return has been created if required.



- 3. Ensure services are accessible**
and correctly installed.
If connections are located behind the appliance, an isolating switch is recommended.

UNPACK



1. Cut the straps and the line printed on the top of the carton. Lift to remove.

Set cardboard aside for later use.



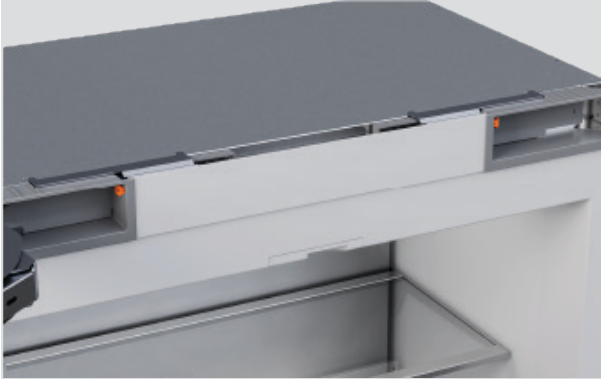
2. Remove the trim kit from the back of the product.



3. Remove the installation and miscellaneous item kits from inside the product.

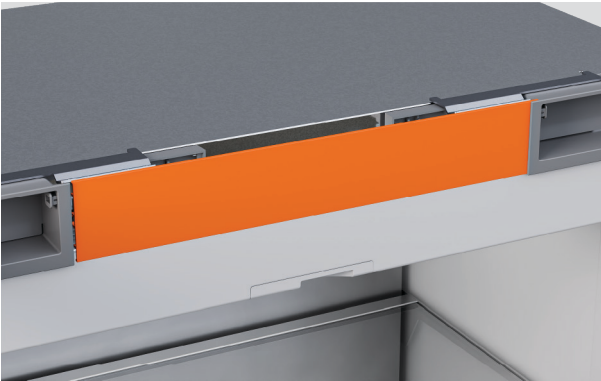
Ensure door tape is reapplied before moving the appliance.

REMOVE PRE-INSTALLED PARTS



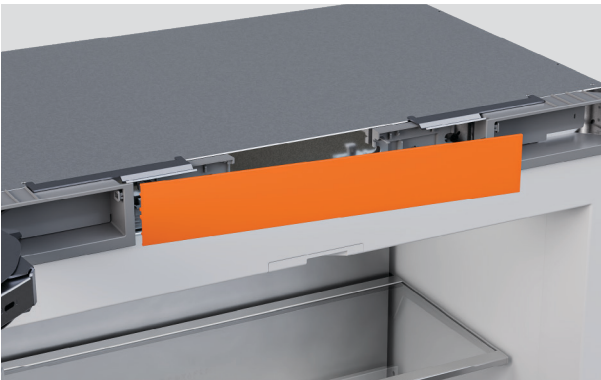
French Door Model: Top trim

1. Loosen the left or right plug using a flathead screwdriver.



French Door Model: Top trim

2. Push the top trim towards the loosened plug to free it from the opposite hinge pocket.



French Door Model: Top trim

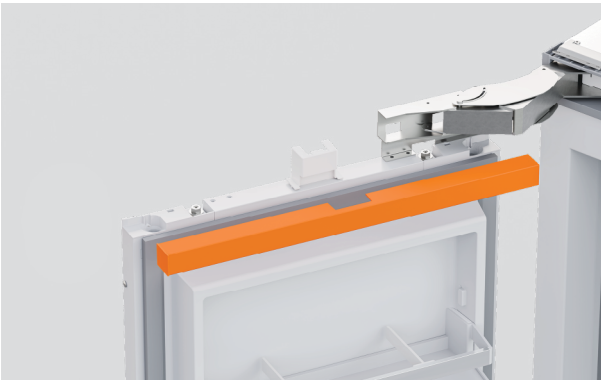
3. Slide out to remove.

REMOVE PRE-INSTALLED PARTS



Top trim

1. Unclip the top trim from the non-hinge side of the appliance before sliding out from the hinge.



Top door caps

2. Carefully pull each end of the top door cap away from the refrigerator to release the Velcro fasteners.

Unclip the cover from the magnet housing.

Ensure the magnet stays on the door.



Bottom grille

3. Pull outwards to remove the bottom grille from the mounting plate.

REMOVE PRE-INSTALLED PARTS



Top grille – Refrigerator, Freezer, Wine Cabinet

4. Open the water filter cover and remove the #8x16 screw.
Remove both #8x16 screws from either end of the grille.
Pull grille outwards to remove.

Refrigerator-Freezer

- Remove both #8x16 screws from either end of the grille.
Pull grille outwards to remove.



Toe kick mounting plate

5. Remove the screws to detach the toe kick mounting plate.



Air flow divider

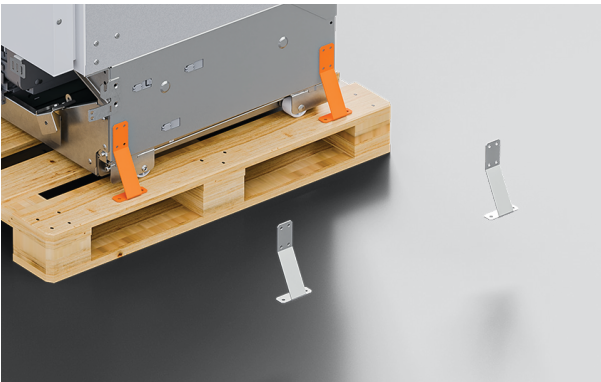
6. Remove the screw to detach the air flow divider.

MOVE APPLIANCE

Two people required at all times.



1. Take care when moving the appliance. Tape the door shut to prevent it opening.



2. Remove the brackets from the non-hinge side of the pallet.

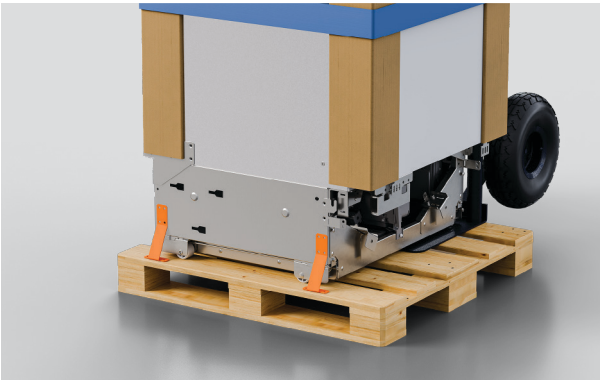


3. Tilt the appliance forward slightly.
Insert the hand truck between the pallet and product.

MOVE APPLIANCE



4. Secure the product to the hand truck using the corner posts to prevent side trims pinching.

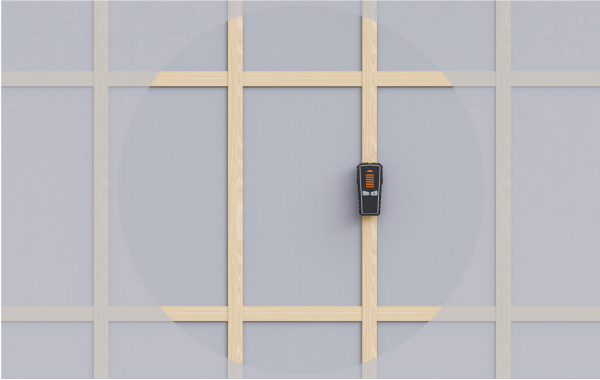


5. Removing the remaining brackets.



6. Tilt product and remove pallet.
Move product to the installation location.

INSTALL ANTI-TIP BRACKET

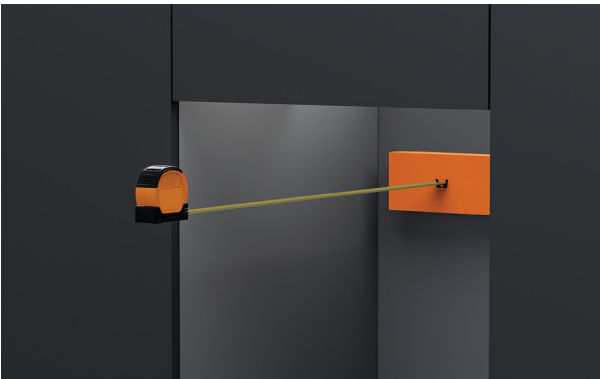


1. Ensure wall stud or solid surface is present.



2. Measure the height from the floor to the front overhang and mark on the rear wall.

The installation height of the anti-tip bracket must not exceed 2138mm to ensure product does not tip.



3. If alcove depth is greater than 635mm

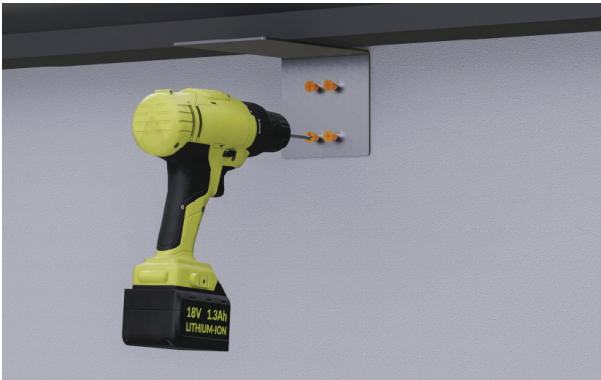
A spacer will be required to be installed alongside the anti-tip bracket to bring depth to 635mm.

INSTALL ANTI-TIP BRACKET



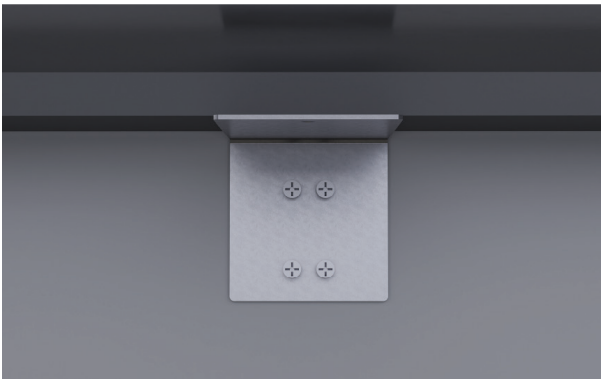
4. Solid wall installations

Using the bracket as a guide, pre-drill four holes into the wall or spacer. Secure using four Phillips screws



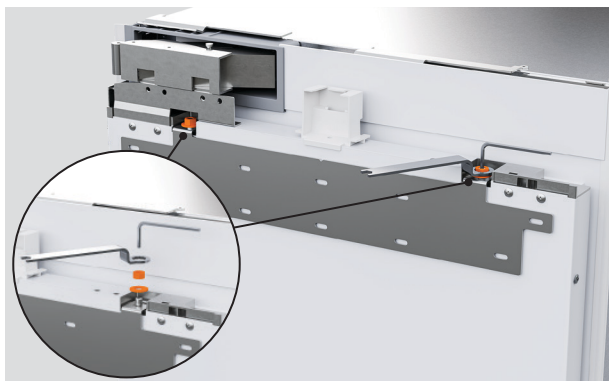
5. Masonry wall installations

Using the bracket as a guide, pre-drill four holes into the wall. Hammer four masonry plugs into the wall until flush before securing using four Phillips screws

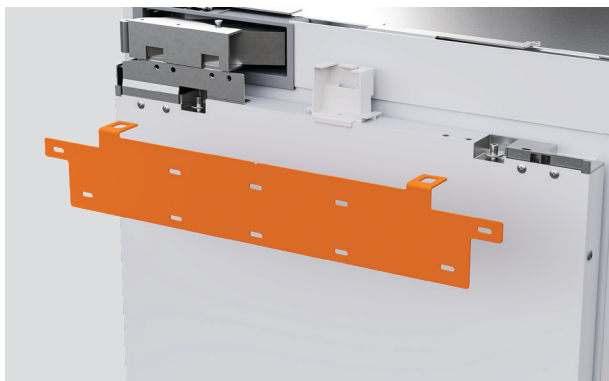


6. Ensure the anti-tip bracket is installed correctly to prevent the product tipping forward when the door is opened.

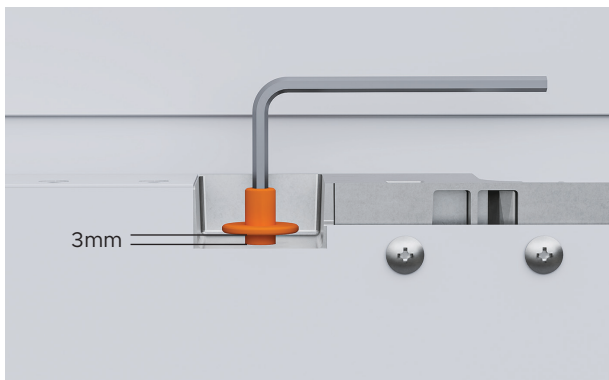
PRODUCT PREPARATION



1. Remove the M8 nut and washer from the M8 screw at the top of each door using the supplied hex key and spanner.

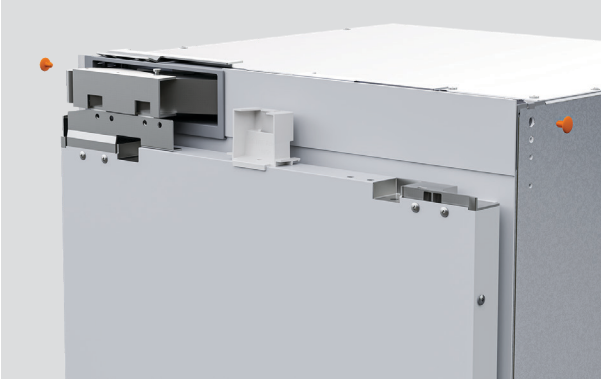


2. Remove the hanging bracket from and set aside for later use. Repeat for all doors.

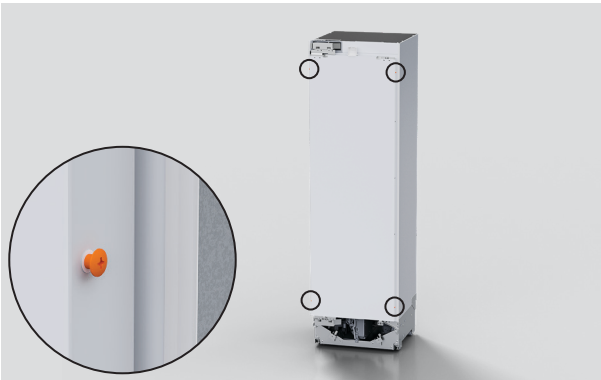


3. Loosen the M8 screws by 3mm.

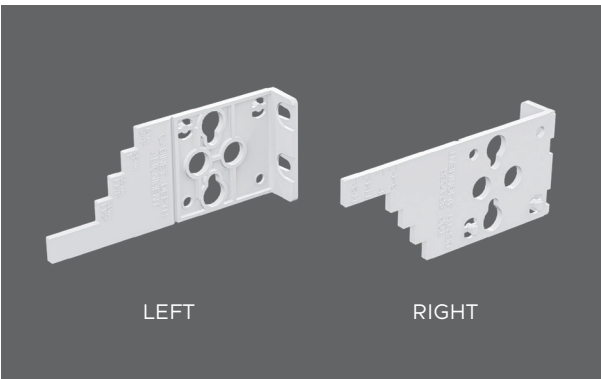
PRODUCT PREPARATION



4. Insert the barbed plugs into the top left and right sides of the products to protect the cabinetry.



5. On the refrigerator door sides, loosen the screws at top and bottom.



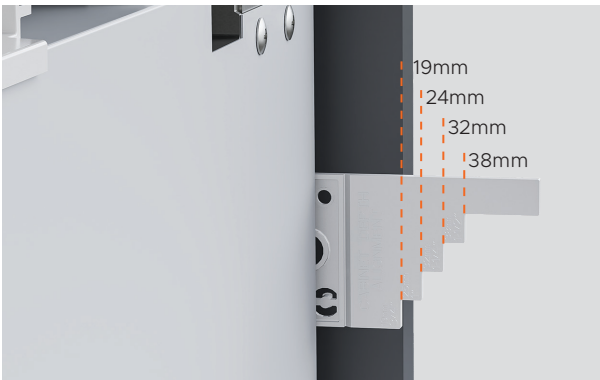
6. Ensure orientation of the gauges are correct before aligning to the door.

PRODUCT PREPARATION



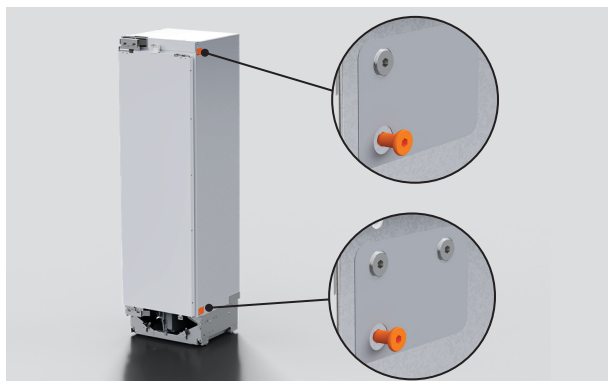
7. Slot the gauges onto the door screws.

Push the gauges down to lock into position before tightening the screw to secure.



8. Measure the door panel thickness and mark the correct step on the gauge.

JOIN PRODUCTS - MULTIPLE INSTALLATION



1. On the side that will connect to the adjacent product, remove the flange bolts.

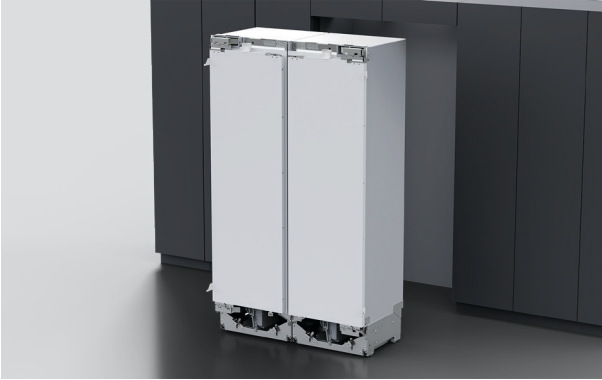


2. Add the flange joiners and reinsert the bolt. Tighten using a 3mm Allen key.

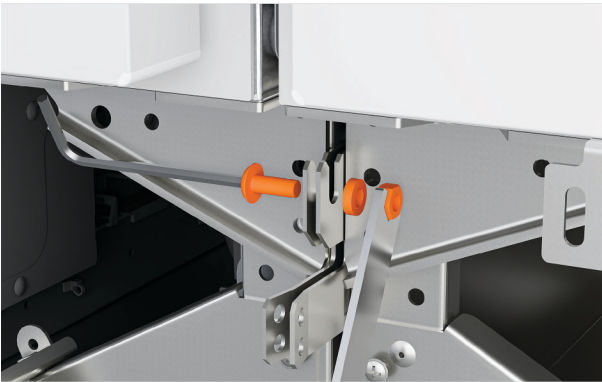


3. Remove alcove trims between adjacent products.

JOIN PRODUCTS - MULTIPLE INSTALLATION



1. Position refrigerators near the front of the cavity.



2. Secure the lower brackets together using the supplied M6 screw and nut.

Secure using a 4mm Allen key and 10mm spanner.

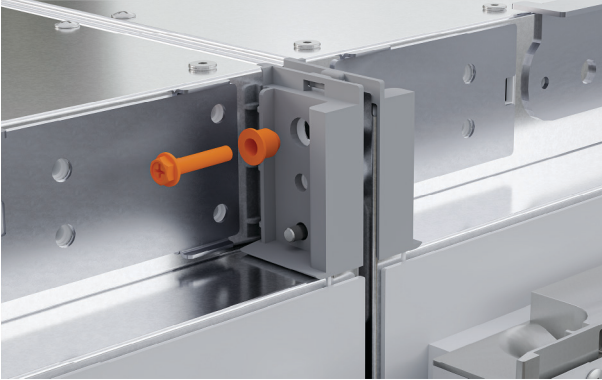
Ensure brackets are clamped tightly.



3. Clamp the upper brackets together by fitting the supplied M5 bolt and joiner sleeve.

Tighten using a 8mm socket and Phillips screwdriver until the sleeve sits flush.

JOIN PRODUCTS - MULTIPLE INSTALLATION



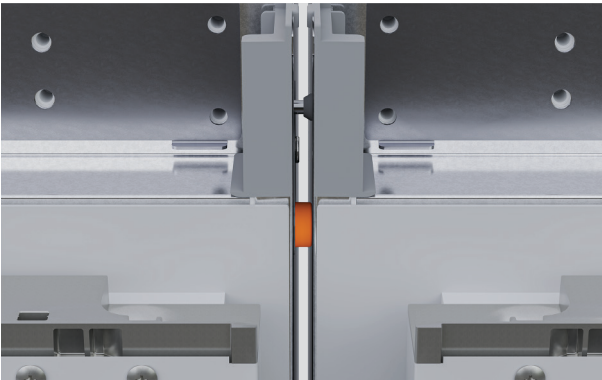
4. Fit the supplied M5 bolt and joiner sleeve.

For handle to handle install:

Use two bolts from both sides.

For handle to hinge install:

Only one joiner bolt from handle side can be inserted.



5. Ensure the flange joiners contact the adjacent product as shown.

INSERT HINGE LIMITING PIN (OPTIONAL)



1. To limit the door opening to 90°, lower the hinge limiting pin into the upper and lower hinges.



2. Refrigerator-Freezer models:

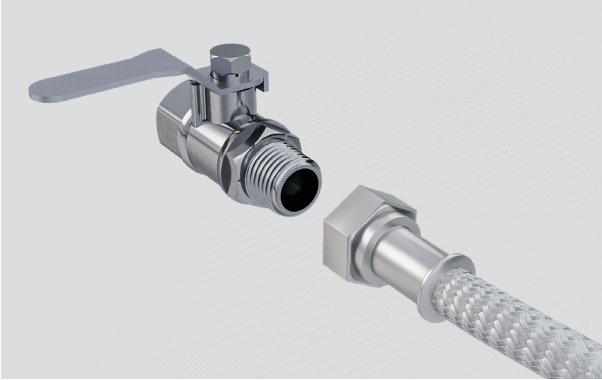
Remove hinge cover plate.

Unclip and slide the center divider forward to expose pin hole.

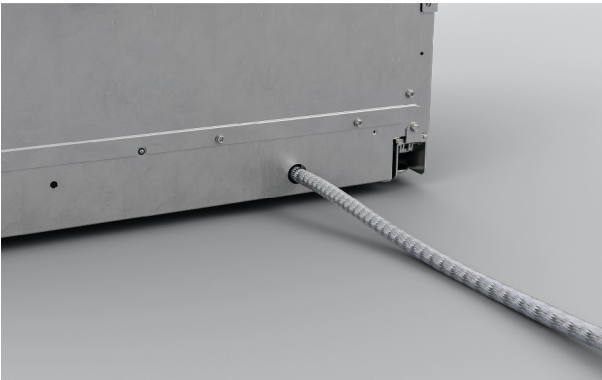
Fit limiting pin.

Refit the center divider, followed by hinge cover plate.

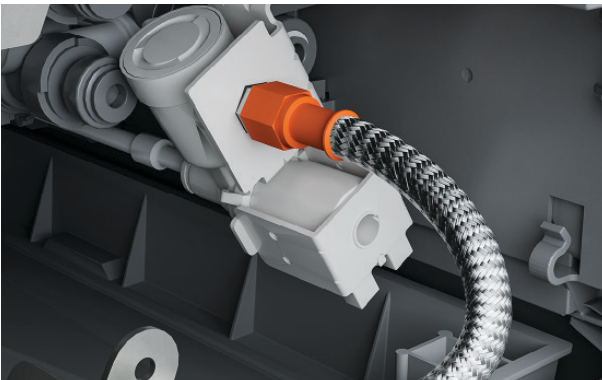
CONNECT SERVICES



1. Connect one end of a braided hose to the tap.
Flush water through hose prior to connection to remove any debris.



2. Push the hose through the plinth from the rear of the product.



3. Connect the hose to the isolation valve.

CONNECT SERVICES



1. To reduce slack and decrease the risk of tangling behind the product, wrap a thread around the power cord.

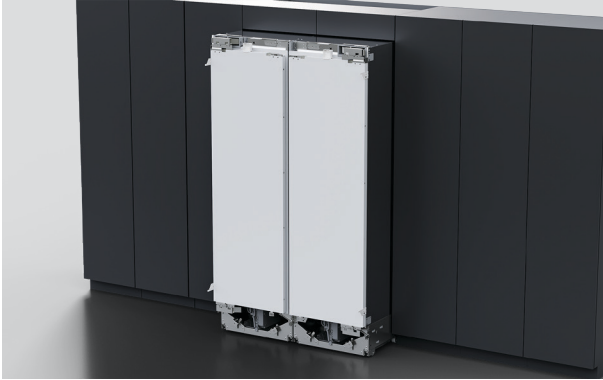


2. Connect to outlet and turn power on.



3. When powered on for the first time, your appliance will default to install mode.

POSITION IN CAVITY



1. Ensure doors are closed.
Carefully roll single or multiple refrigerators into the cavity.



2. Align the marked line on the gauges flush with the front surface of the adjacent cabinetry.

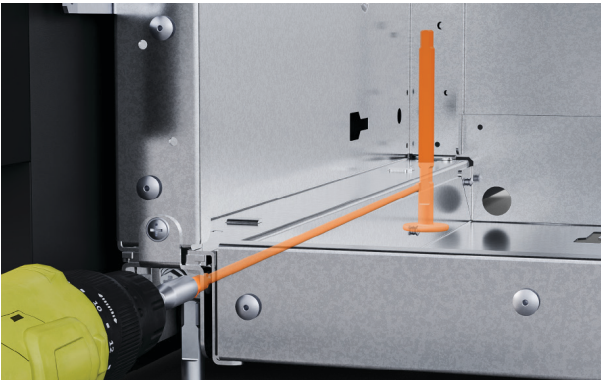
LEVEL AND SECURE



1. Adjust the front of the product using the supplied hex driver bit.

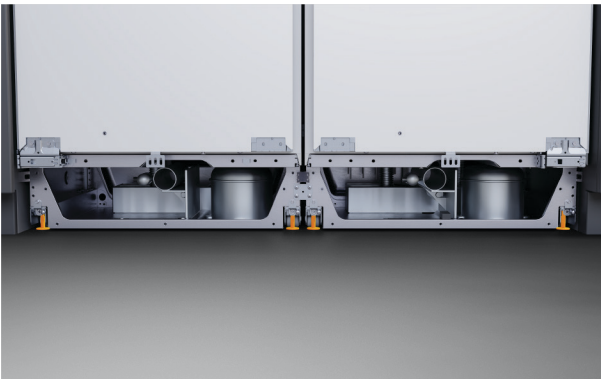
Turn the left-hand screw clockwise to lower the feet 0.5mm per full turn.

Mark a drill to count the number of turns required to fully engage the feet.



2. Adjust the rear of the product using the supplied hex driver bit.

Turn the right-hand screw clockwise to lower the feet 0.5mm per full turn.



3. Multiple products:

Adjust the outside front feet followed by the outside rear feet.

Once product is set in cavity, lower the central feet.

Ensure the upper bracket touches the alcove.

LEVEL AND SECURE



4. Check the depth gauges while adjusting the screws.

Using a ruler, check that the gaps between appliance and cabinetry side wall are even.



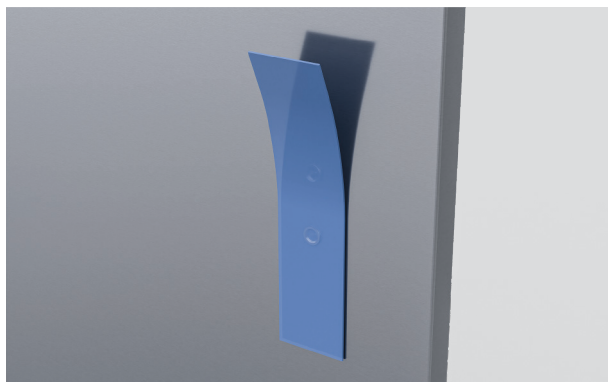
5. Fit the two lower side brackets to the cabinetry side surface with a 8Gx16 countersunk screw on each side.



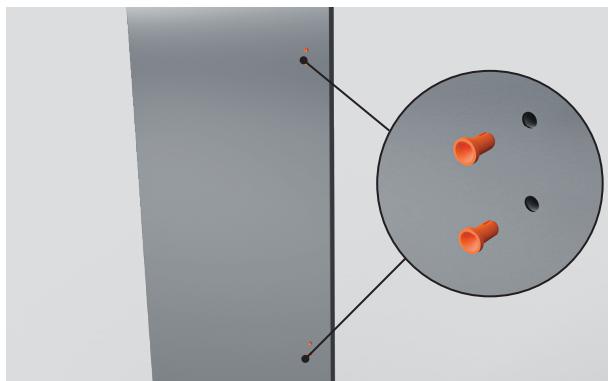
6. Fit the upper bracket or brackets to the cabinetry using two 8Gx16 countersunk screws on each side.

Remove depth gauges.

DOOR PANEL PREPARATION (PRE-FINISHED PANEL)



1. Remove the blue tape and protective film from the handle attachment area.

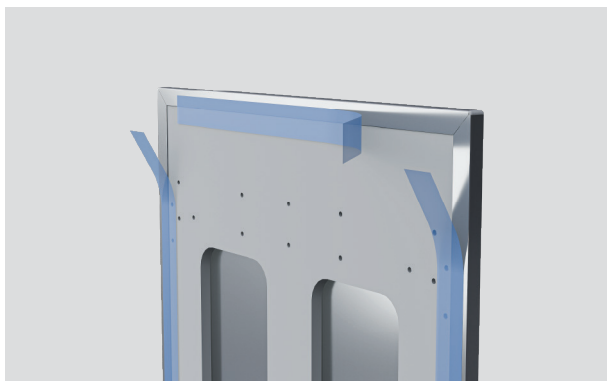


2. Remove the four plugs from the door panel.

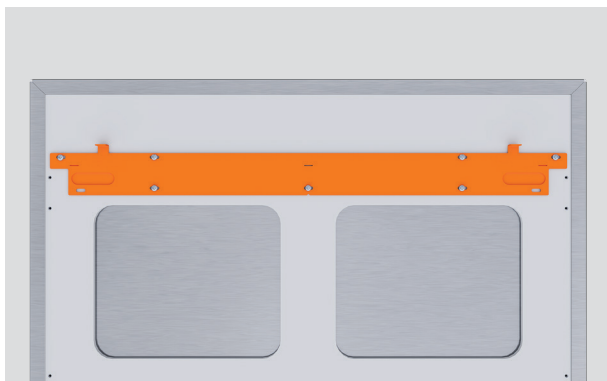


3. Fit the handle to the panel using four M5x25 hex screws. Repeat for all doors & drawers.

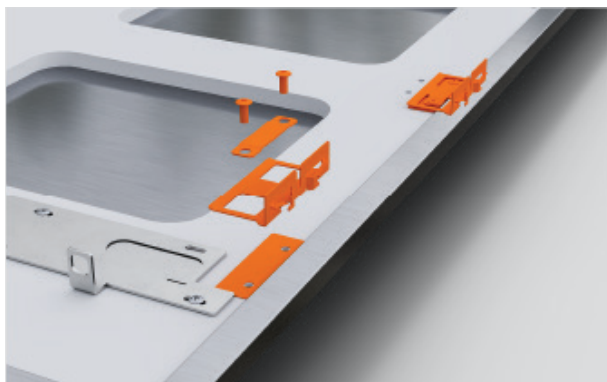
DOOR PANEL PREPARATION (PRE-FINISHED PANEL)



4. Remove the blue tape attached to the inner edges of the door panel after the handle is installed.

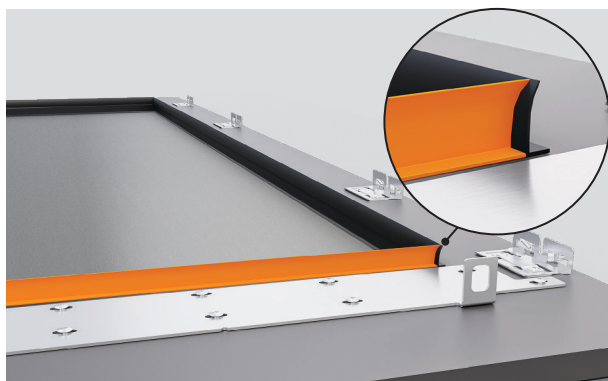


5. Secure the top hanging bracket to the screw holes of the door panel with M5 x 12 PH screws.



6. Align the side brackets to the panel.
Secure using the supplied screws.
Ensure brackets are fitted tightly and the fasteners are straight.

DOOR PANEL PREPARATION (PRE-FINISHED PANEL)



7. Wine Cabinet models:

Fit the supplied rubber trims around the window cut-out on the back of the door panel.

Ensure trims are flush with the inside edge and do not overlap the hanging bracket.

DOOR PANEL PREPARATION (CUSTOM PANEL)

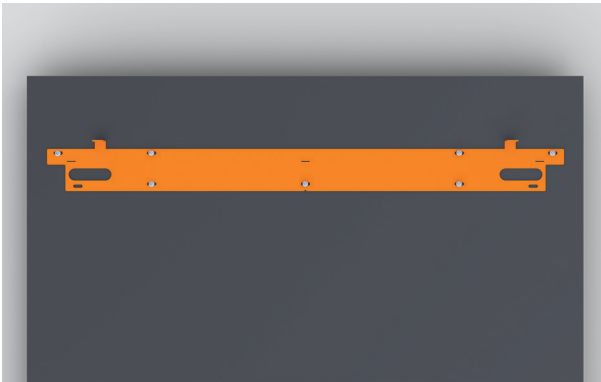


fisherpaykel.com/specify

1. Recheck the door panel specifications and ensure all bracket locations have been marked.

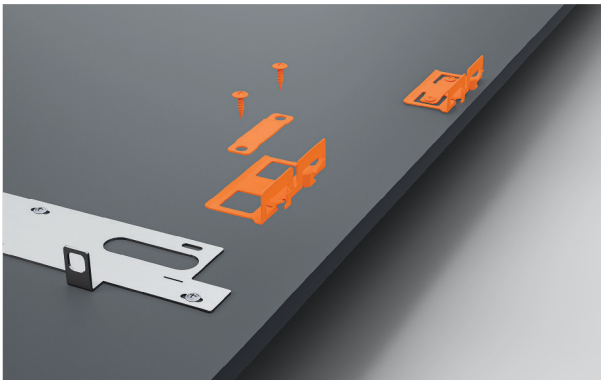
Refer to the planning guide for all custom panel details.

The supplied template can also be used to locate bracket hole locations. Follow the guidance on the template.



2. Align the door panel bracket to the panel. Secure using the supplied M5x12 screws.

A template to assist in positioning the brackets is available in the trim kit.

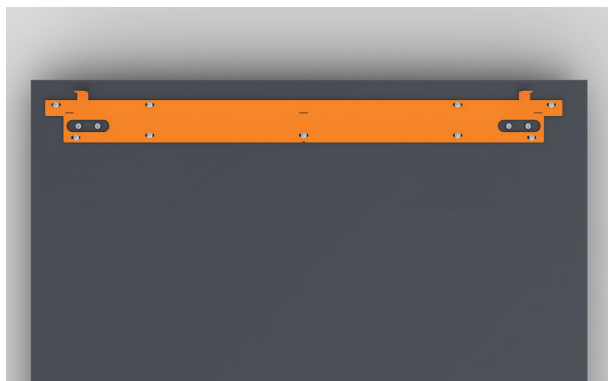


3. Align the side brackets to the panel.

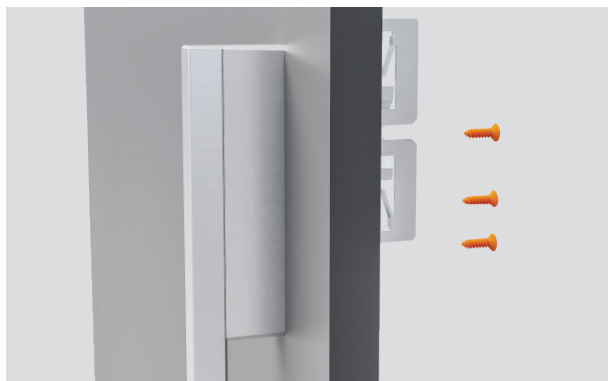
Secure using the supplied screws.

Ensure brackets are fitted tightly and the fasteners are straight.

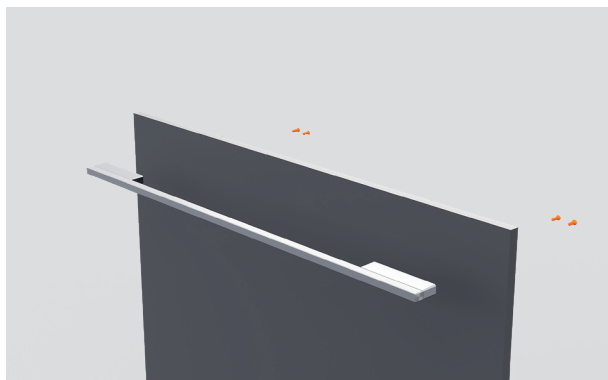
DOOR PANEL PREPARATION (CUSTOM PANEL)



4. Refrigerator-Freezer models:
Repeat for lower drawer.



5. Fit the handle to the panel
using four M5x25 hex screws.
Ensure handle fixings do not
interfere with side brackets.



6. Refrigerator-Freezer models:
Repeat for lower drawer.

DOOR PANEL PREPARATION (CUSTOM PANEL)

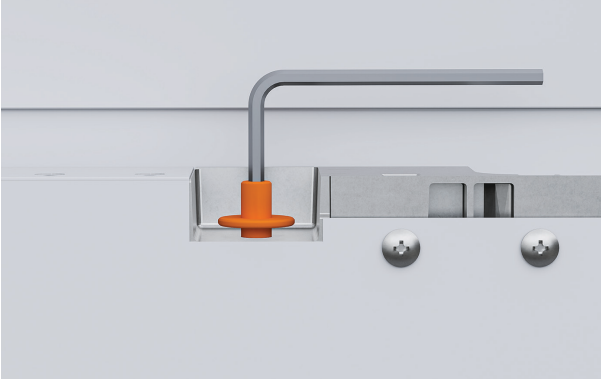


7. Wine Cabinet models:

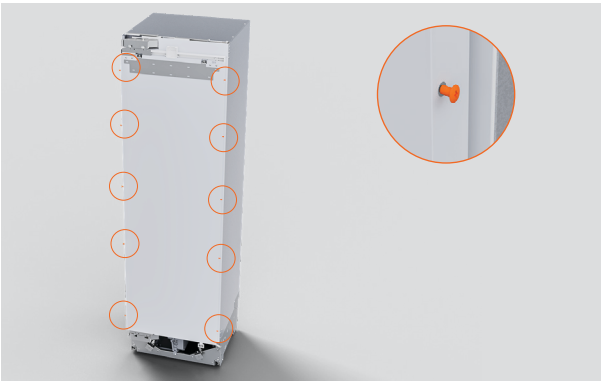
Fit the supplied rubber trims around the window cut-out on the rear of the door panel.

Ensure trims are flush with the inside edge and do not overlap the hanging bracket.

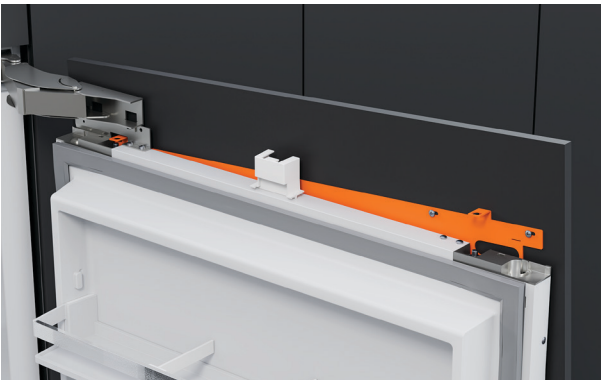
INSTALL PANELS



1. Ensure top mounting screws have been loosened by 3mm.



2. Loosen the side screws.



3. Hold the panel at an angle from the top of the door and lower the mounting bracket onto the screws.

INSTALL PANELS



- 4.** Slide the side brackets into the side screws of the door. Tighten the side screws loosely to allow panel adjustment.



- 5.** Using the spanner and M4 hex key provided, screw the M8 washer and nut to the adjustment screw. Tighten just enough to allow adjustment.

ADJUST DOOR PANEL

Ensure the side brackets are loosely screwed when adjusting the height of the door panel. Do not adjust the door panel height when the side brackets are screwed tight.



1. Rotate the mounting studs clockwise to lower the panel and anti-clockwise to raise it.

The minimum gap between the top of the door panel and cabinetry above is 3mm.



2. Push panel side-to-side to adjust horizontally. Ensure panels are flush with the front of the cabinet.

The minimum gap between the door panel and adjacent cabinetry is 3mm.



3. Tighten side screws to panel.

SECURE DOOR PANEL



4. Tighten the M8 nut using the supplied spanner to secure the panel.

Hold the mounting stud with the supplied M4 hex key to ensure the height adjustment does not change while tightening.

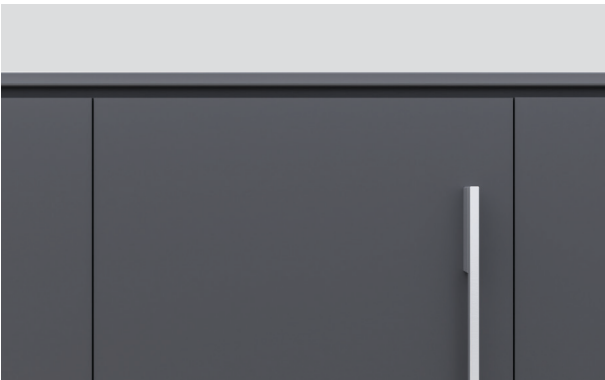
INSTALL DOOR PANEL



1. With the door open, loosen the lower bracket screw.
Adjust bracket to rest against the door panel and re-tighten the screw.

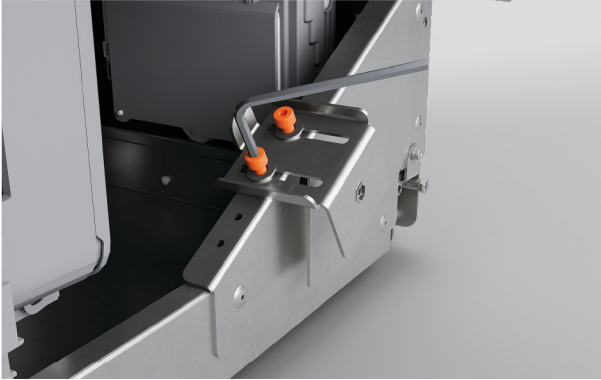


2. Fit an additional screw through the bracket to lock panel into position.

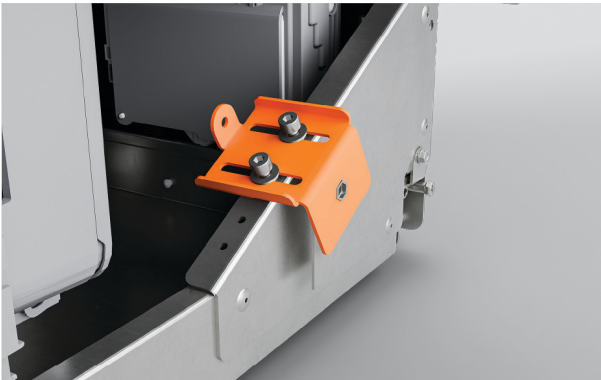


3. Recheck all gaps and any clashing.

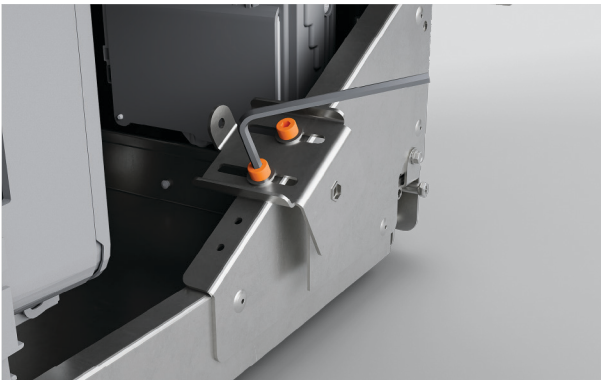
ADJUST TOE KICK DEPTH



1. Loosen the adjustment bracket cap screws on both sides of the plinth using a hex key.



2. Adjust the brackets to achieved desired toe kick depth.

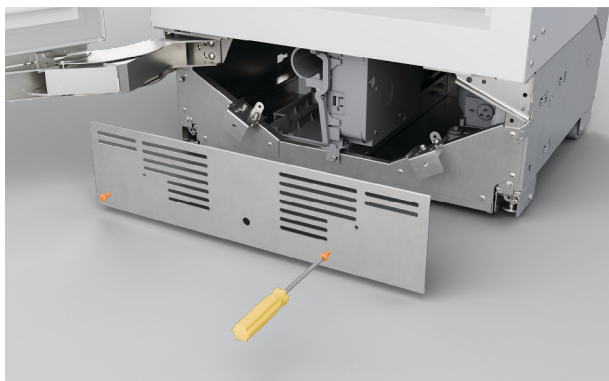


3. Re-tighten the cap screws.

INSTALL TOE KICK MOUNTING PLATE



1. If there is a gap between the mounting plate and the plinth:
Attach the foam block to the back of the mounting plate.
Press firmly to secure.



2. Refit mounting plate using the screws that were set aside earlier.

INSTALL TOE KICK (PRE-FINISHED PANEL)



1. Center the spacers to the attachment points of the appliance.
Mark the magnet fixing locations at the center of each spacer.

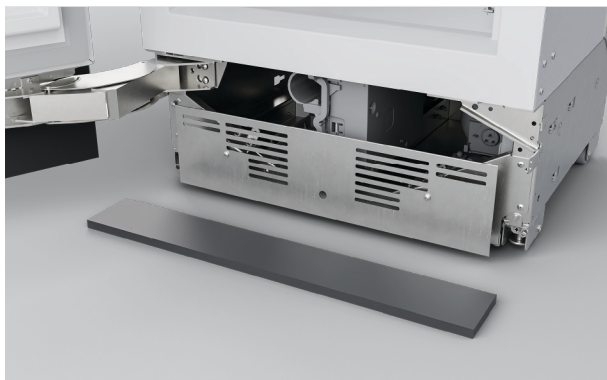


2. Secure the magnets to the spacers.

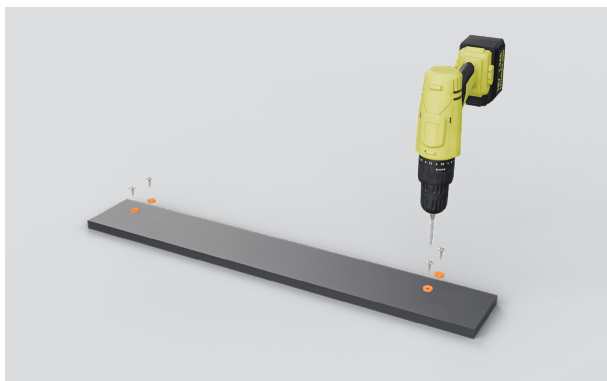


3. Clip toe kick into place

INSTALL TOE KICK (CUSTOM PANEL)



1. Align the panel to the attachment points of the appliance, then mark the magnet fixing locations.

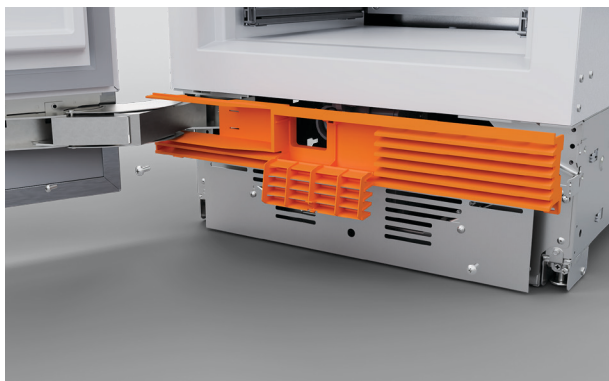


2. Secure the magnets to the spacers.



3. Clip toe kick into place.

FIT GRILLES



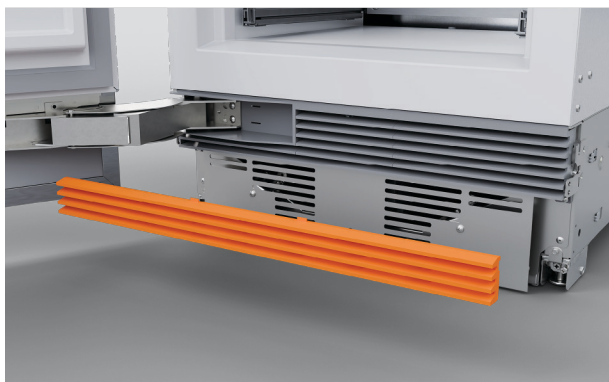
Top grille – Refrigerator, Freezer, Wine Cabinet

Reattach the top grille with #8x16 screws.



Top grille – Refrigerator-Freezer

Reattach the top grille with #8x16 screws.



Bottom grille

Re-attach the bottom grille via the magnets.

For toe kick heights 114 – 127mm, shorten the bottom grille by cutting along the vertical ribs.

FIT TRIMS



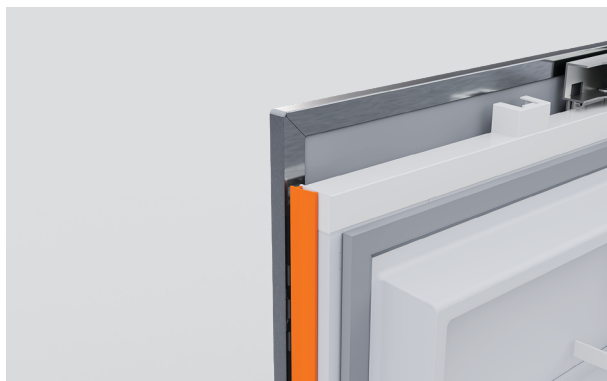
Top door caps

Ensure the magnet remains in place and is not damaged as this will affect the operation of the appliance.

Clip the notch into the magnet housing, and the trim caps on top of the adhesive strips.

Press down firmly to secure.

For French Door models ensure the left and right hand door caps are correctly placed.



Door side covers

Insert door side covers into the gaps on the sides slide downwards to clip into place. Press firmly to secure.

Ensure side cover is aligned with the top door panel extrusion.



Drawer side covers

Insert the drawer side covers into the panel gaps on the right and left sides of the drawer.

Ensure the cabinet is centered to prevent the side covers from interfering with the cabinet.

FIT TRIMS



Drawer top trim

Align top trim to drawer and press down firmly to secure within panel bracket clips.

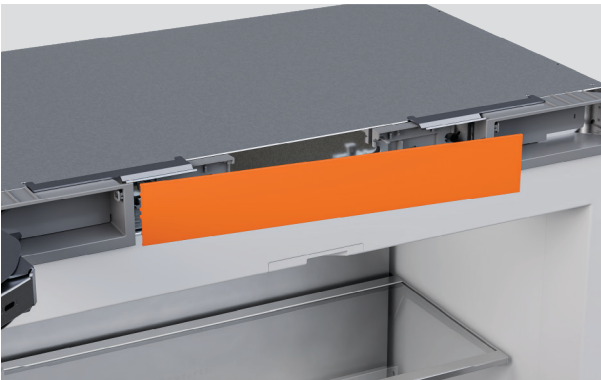
Ensure top trim is aligned with the drawer side covers.



Top trim

Slide one end of the top trim into the hinge pocket.

Press the other end to secure.



French Door Model:

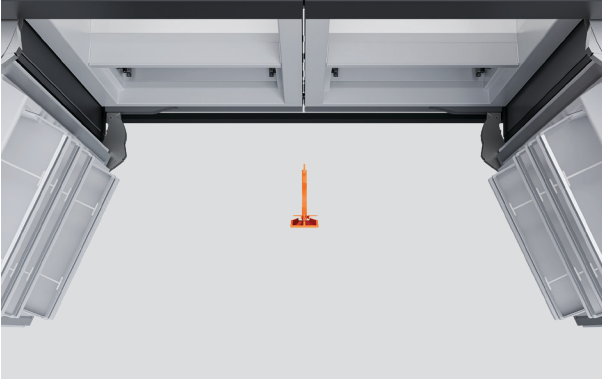
Slide the hinge pocket cover inside the pocket and push the plug in to secure.



Hinge pocket cover

Slide the lower hinge pocket cover inside the pocket. Press to secure.

FIT TRIMS - MULTIPLE INSTALLATION



1. Position centre trim between products.



2. Push trim up into the upper bracket.



3. Push trim into the lower bracket.

FIT TRIMS - MULTIPLE INSTALLATION



4. Press the centre trim to fix the position.

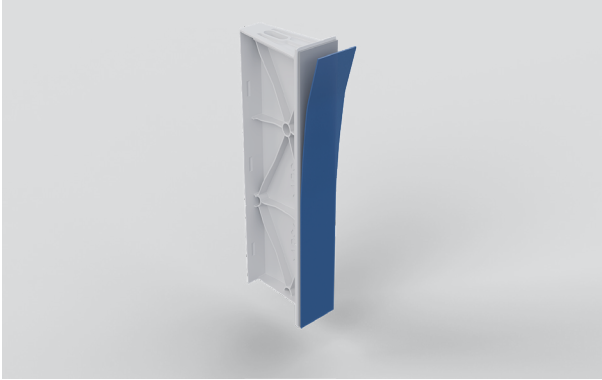
FIT WATER FILTER



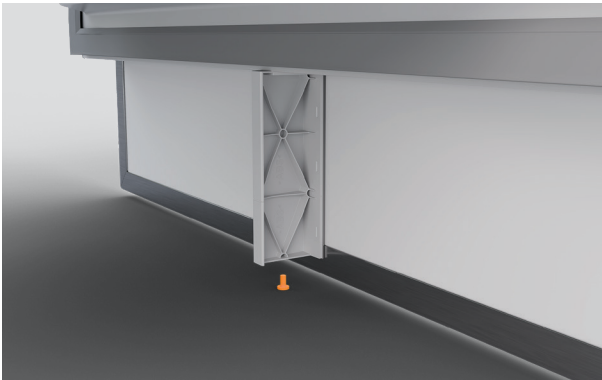
fisherpaykel.com/specify

1. Install the water filter.
To access instructions, visit fisherpaykel.com/specify and enter 'Water Filter' or the filter model code.

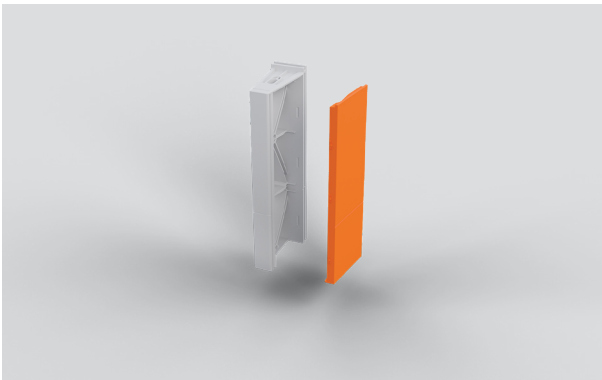
SECURE FLOW DIVIDER



1. Remove the adhesive layer off the flow divider.



2. Press the flow divider firmly against the bottom of the panel. Secure flow divider to the refrigerator door using a screw.



3. Slot flow divider cap into place.

EXIT INSTALL MODE

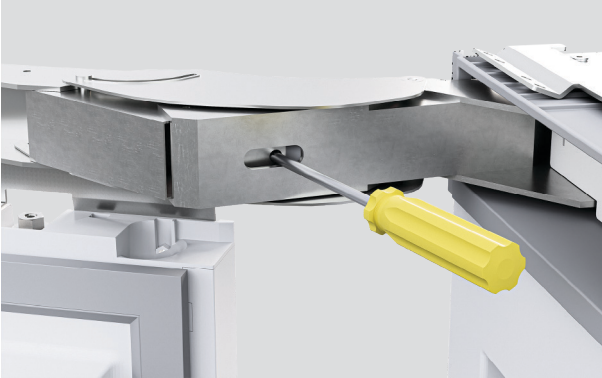


1. Press and hold  to exit Install Mode.

HINGE SWAP (OPTIONAL)

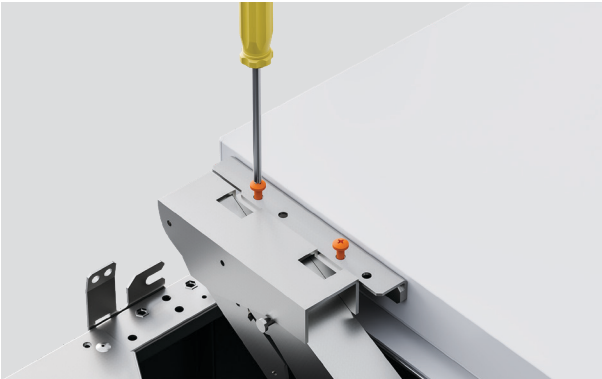
..... REMOVE DOOR

We recommend removing shelves prior to removing the door. Take care when removing the door.



1. Release the hinge spring by turning the T20 screw in the hinge to the '0' position.

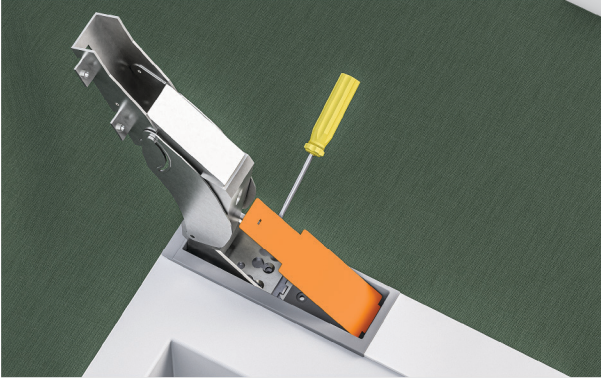
Close the door and lay the appliance on its back on the pallet.



2. Detach the door from the appliance by unscrewing the door hinge M6x10 hex screws (4x) at the top hinge and bottom/middle hinge.

HINGE SWAP (OPTIONAL)

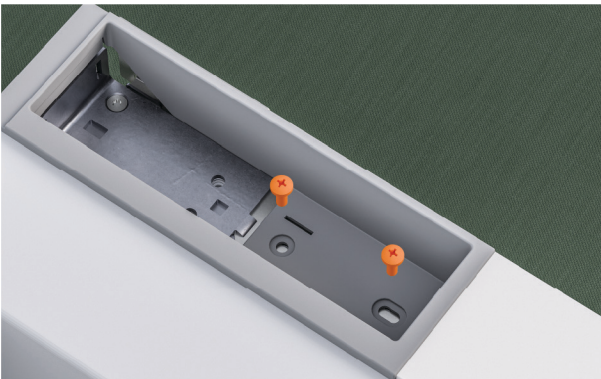
..... REMOVE UPPER HINGE



1. Open the upper hinge fully and remove the hinge pocket cover using the flat head screwdriver.



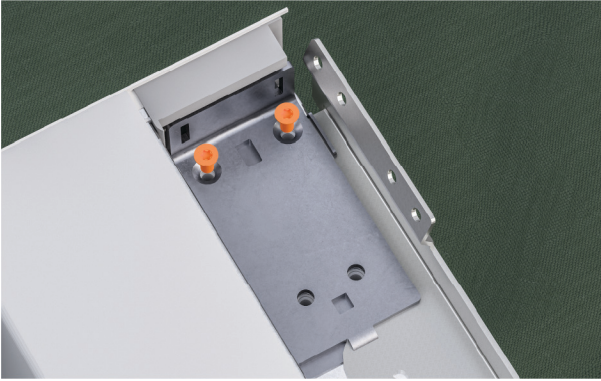
2. Unscrew M6x16 countersunk screws to remove upper hinge and set aside.



3. Unscrew M6x16 countersunk screws from hinge pocket to remove hinge pocket and upper alcove bracket.

HINGE SWAP (OPTIONAL)

..... REMOVE UPPER HINGE



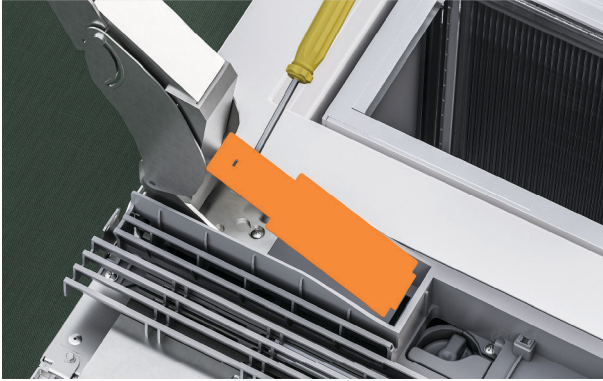
4. Unscrew M5x12 countersunk screws to remove upper hinge bracket and spacer.



5. For the non-hinge side, remove the alcove bracket by unscrewing the M6x16 countersunk screws.

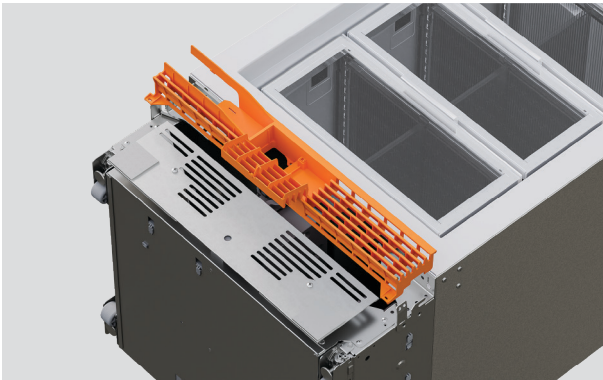
HINGE SWAP (OPTIONAL)

REMOVE LOWER HINGE



1. Refrigerator, Freezer and wine cabinet models:

Open the lower hinge fully and remove the hinge pocket cover using the flat head screwdriver.



2. Refrigerator, Freezer and wine cabinet models:

Open the water filter hatch on the bottom grille and unscrew the #8x16 screw while holding the grille in place.

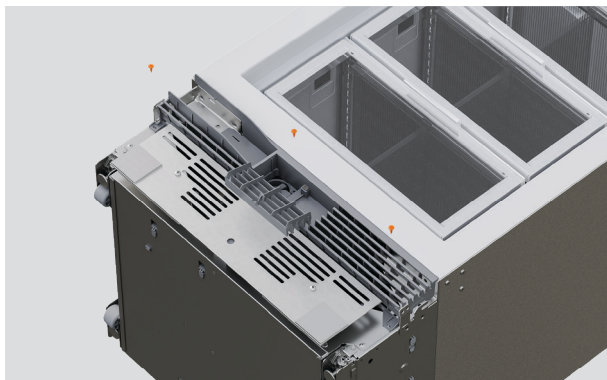


3. Refrigerator, Freezer and wine cabinet models:

Remove the hinge by unscrewing the M6x16 countersunk screws (2x).

HINGE SWAP (OPTIONAL)

REMOVE LOWER HINGE



4. Refrigerator, Freezer and wine cabinet models:

Remove the lower grille by unscrewing the #8x16 screws from the bottom left and right of the grille.



5. Refrigerator, Freezer and wine cabinet models:

Remove bottom hinge bracket by unscrewing M6x16 countersunk screws.

Do not remove plinth-to-cabinet retention brackets.

HINGE SWAP (OPTIONAL)

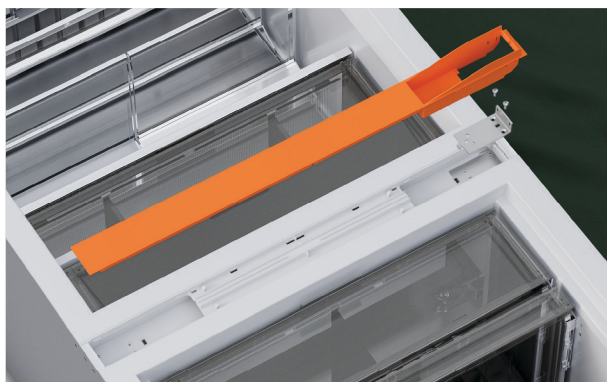
..... REMOVE CENTER HINGE



1. Refrigerator-Freezer models:

Open the centre hinge fully and remove the hinge cover.

Unscrew the M6x16 countersunk screws to remove.

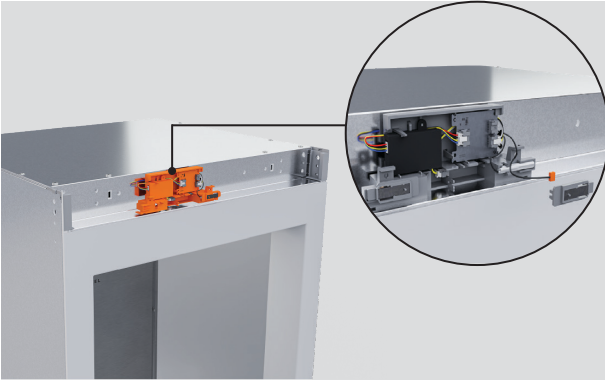


2. Refrigerator-Freezer models:

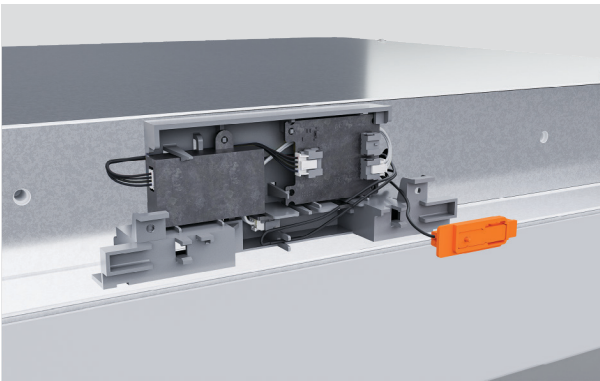
Unscrew M5x12 countersunk screws to remove top hinge bracket and spacer.

HINGE SWAP (OPTIONAL)

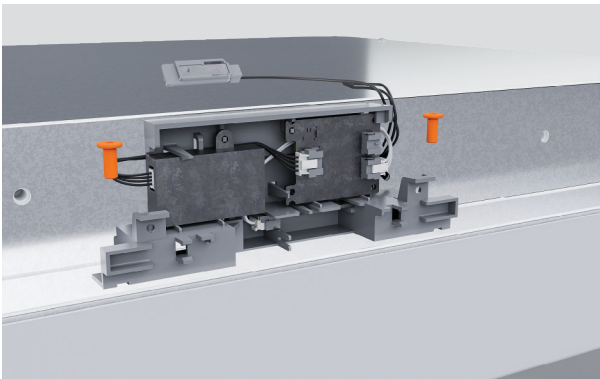
..... MOVE SENSOR HOUSING (46CM AND 61CM MODELS ONLY)



1. Unclip the hall sensor from the housing.



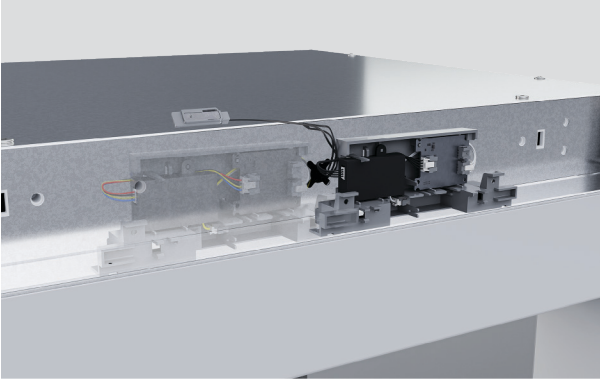
2. Unhook the interceptor board harness from the housing.



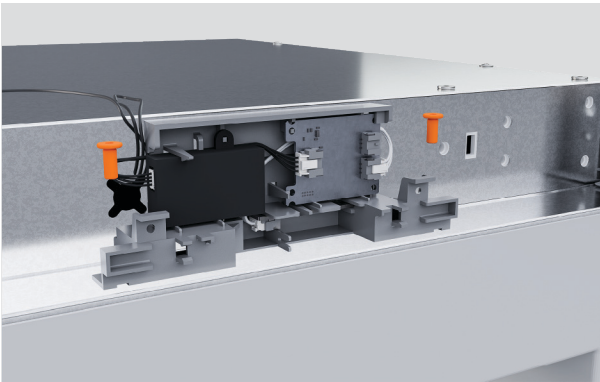
3. Remove the two #8x16 screws from the sensor housing.

HINGE SWAP (OPTIONAL)

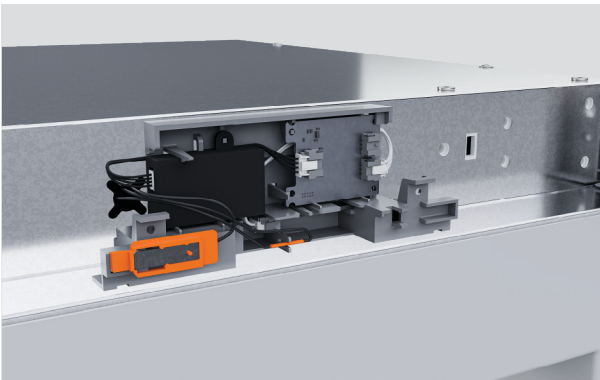
MOVE SENSOR HOUSING



4. Move the sensor housing to align the opposite hall sensor clip with the centre of the cabinet



5. Reinstall the sensor housing using two #8x16 screws into the pre-drilled holes in the cabinet top panel.



6. Clip the hall sensor into the sensor housing in the pocket closest to the centreline of the cabinet.

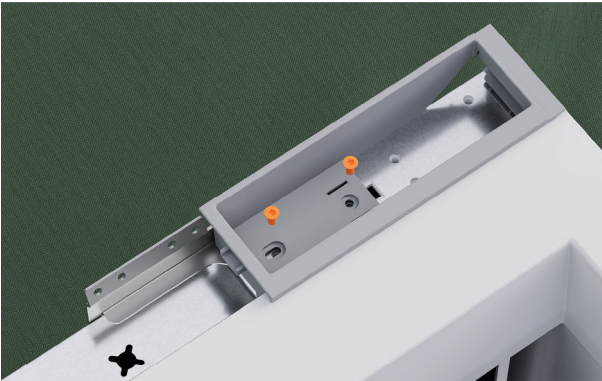
Press the interceptor board harness into the forks.

HINGE SWAP (OPTIONAL)

REFIT UPPER HINGE



1. Reinstall the upper hinge bracket and bracket spacer with M5x12 countersunk screws on the new hinge side.



2. Install the new hinge pocket and alcove top bracket on the new hinge side using two M6x16 countersunk screws.

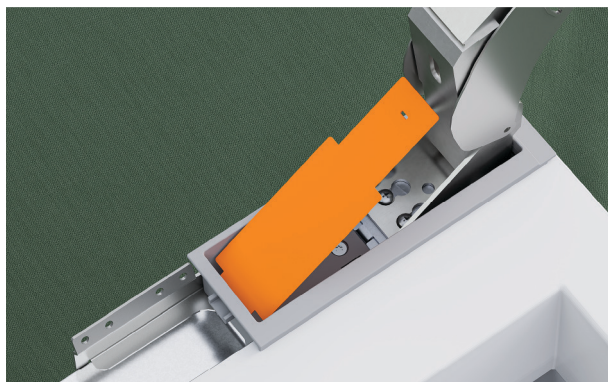
The new hinge pocket and alcove bracket are supplied with the hinge kit.



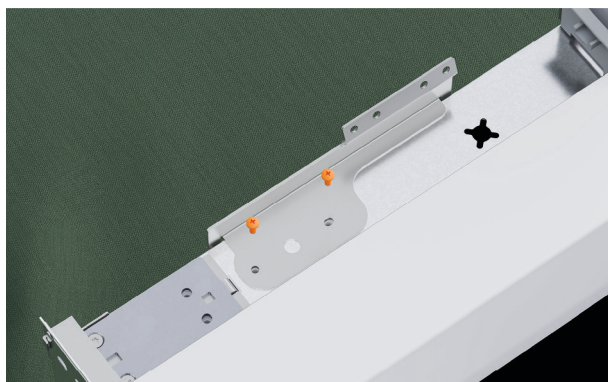
3. Secure the hinge in the pocket using two M6x16 countersunk screws.

HINGE SWAP (OPTIONAL)

REFIT UPPER HINGE



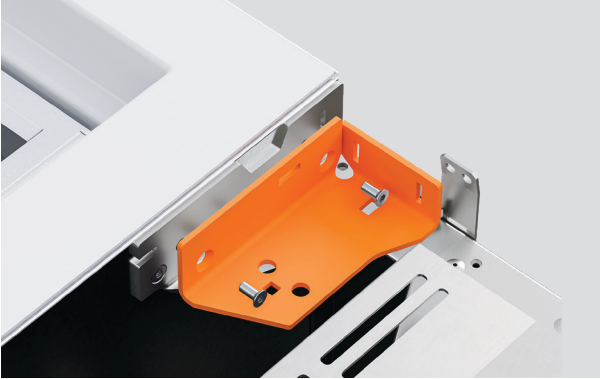
4. Open the hinge and clip the upper hinge pocket cover into place.



5. For the non-hinge side, fit a new alcove bracket using M6x16 countersunk screws.

HINGE SWAP (OPTIONAL)

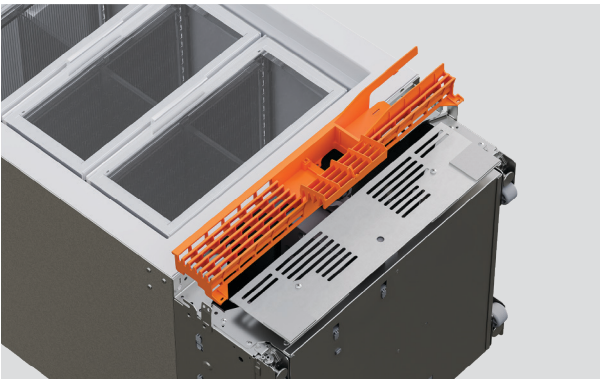
REFIT LOWER HINGE



1. Fit a new lower hinge bracket on the new hinge side using two M6x16 screws
Ensure the tab on the top of the bracket inserts into the slot in the plinth front bracket.



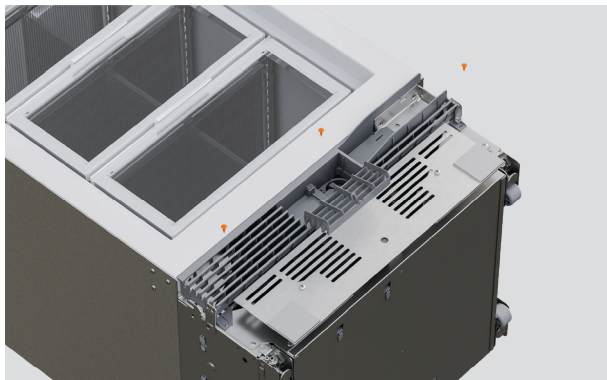
2. Insert the removed top hinge into the lower bracket tabs.
Rotate it into place and secure with two M5x12 countersunk screws.



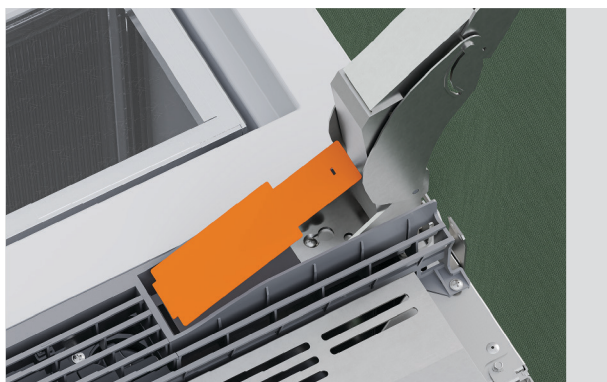
3. Open the hinge, and install the new top grille assembly.

HINGE SWAP (OPTIONAL)

REFIT LOWER HINGE



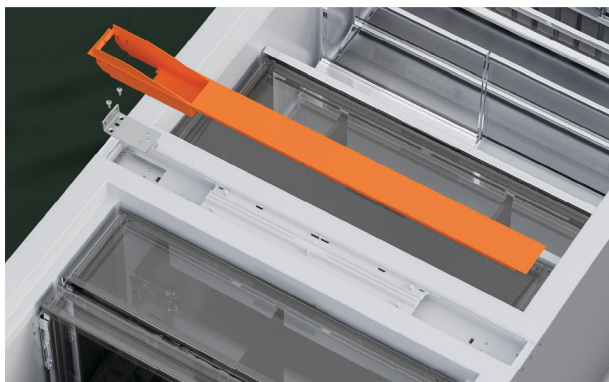
4. Secure with three #8x16 screws: one at the bottom left, one at the bottom right of the grille, and one behind the water filter hatch.



5. Clip the bottom hinge pocket cover into place.

HINGE SWAP (OPTIONAL)

REFIT CENTRE HINGE



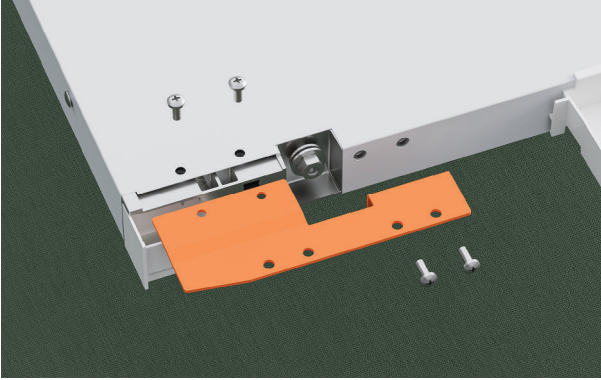
1. Reinstall the centre hinge bracket and spacer using M5x12 countersunk screws.



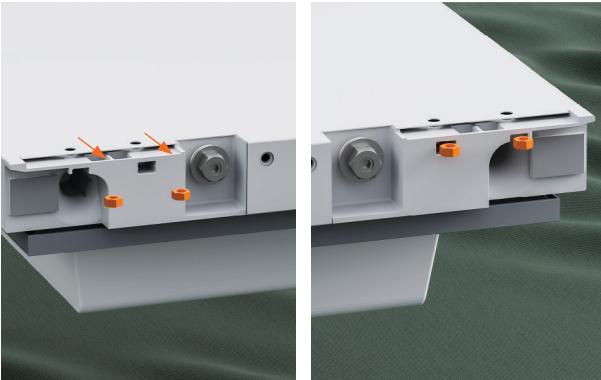
2. Open the centre hinge and reinstall using two M6x16 countersunk screws.

HINGE SWAP (OPTIONAL)

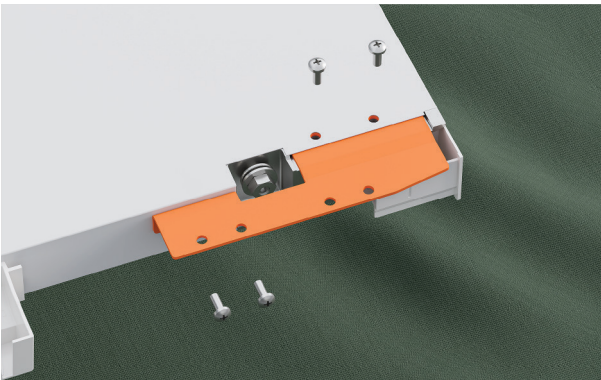
SWAP UPPER DOOR BRACKET



1. Unscrew the four M5x10 screws to remove the upper adapter bracket from the top of the door.



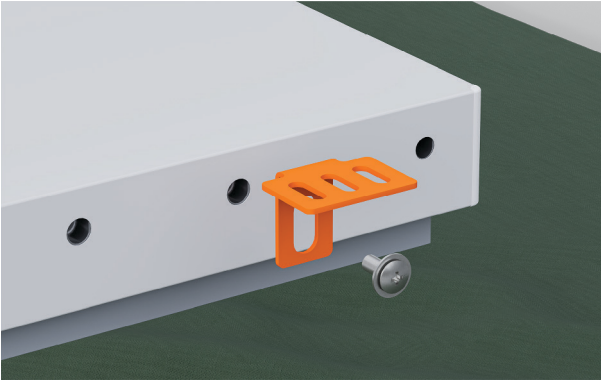
2. Move the two nuts to the other side of the top of the door.



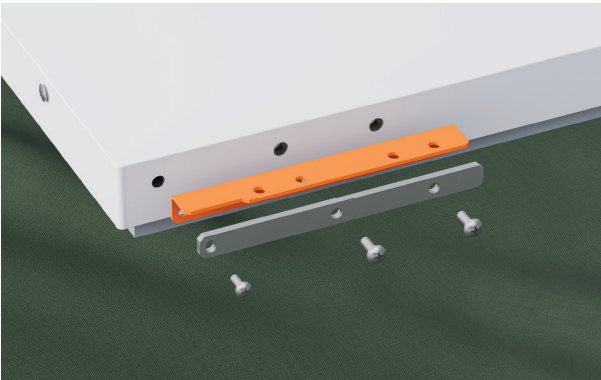
3. Install the new upper adapter bracket into the other side of the top of the door with four M5x10 screws.

HINGE SWAP (OPTIONAL)

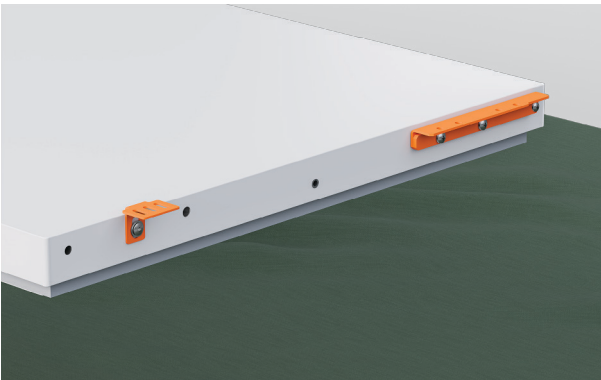
SWAP LOWER DOOR BRACKET



1. Unscrew the M6x25 screw to remove the door panel locking bracket and washer from the bottom of the door.



2. Remove two M6x25 screws and one M5x30 screw to remove the lower adapter bracket and spacer.

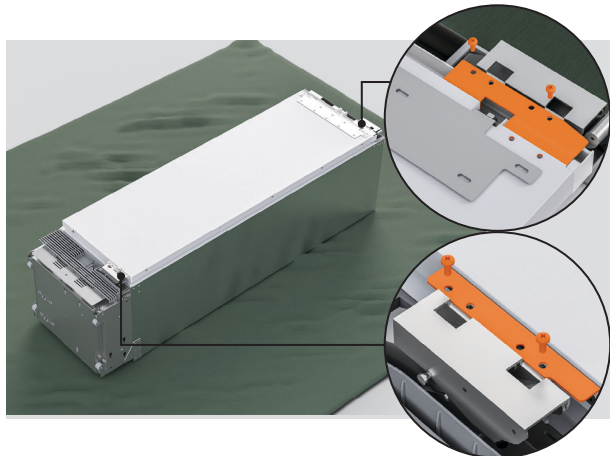


3. Install the new lower adapter bracket and existing spacer on the other side using the same screws.

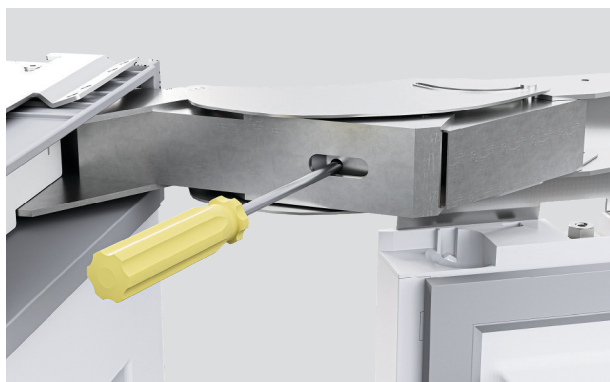
Reinstall the door panel locking bracket and washer on the other side with one M6x25 screw.

HINGE SWAP (OPTIONAL)

REINSTALL DOOR



1. Secure the door to the top hinge and bottom/middle hinge with four M6x10 hex screws.



2. Activate the hinge spring by turning the T20 screws to the I position.



3. Reinstall all covers and trims

INSTALLER CHECKLIST

TO BE COMPLETED BY THE INSTALLER

All models

- Ensure all internal and external packaging is removed from the appliance before use.
- Ensure the appliance is level.
- Ensure the appliance is securely fastened to the cabinetry with the supplied anti-tip bracket and fittings.
- Ensure the doors/drawer can open and close freely with no resistance from surrounding cabinetry.
- Ensure hinge limiting pin is fitted for 90° door swing.
- Check to make sure appliance is plugged in and is cooling.
- Install mode has been exited.

Ice and Water models only

- Ensure the water filtration system has been flushed.
- Check Water is dispensing.

Complete and keep for safe reference:

Model _____

Serial no. _____

Purchase date _____

Purchaser _____

Dealer address _____

Installer's name _____

Installer's signature _____

Installation company _____

Installation date _____

FISHERPAYKEL.COM

© Fisher & Paykel Appliances 2026. All rights reserved.

The models shown in this guide may not be available in all markets
and are subject to change at any time.

The product specifications in this guide apply to the specific products and models described
at the date of issue. Under our policy of continuous product improvement, these
specifications may change at any time.

For current details about model and specification availability in your country, please go to
our website or contact your local Fisher & Paykel dealer.

432152C 04.26