

Induction Range, 36", 5 Zones with SmartZone, Self-cleaning

Series 9 | Contemporary

Stainless Steel



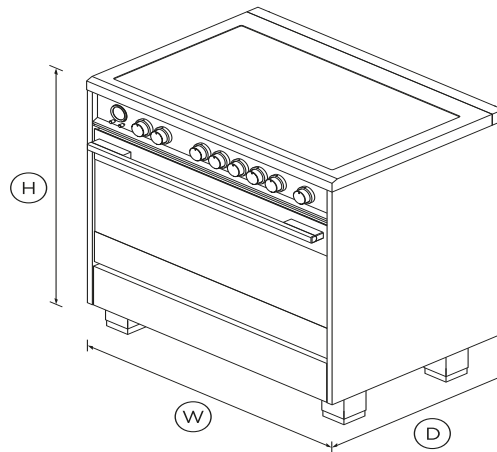
With large oven and cooktops that can be paired to create an expansive cook zone, this is a range made for those who love to cook.

- Five induction cooking zones, which can be joined to form SmartZones
- Convection oven with 4.9 cu.ft total capacity, nine oven functions including Roast, Aero Pastry™ with pizza mode and rapid proof for baking bread
- Non-tip full-extension shelves for safe removal of hot dishes

- High-temperature self-cleaning function breaks down food residue for an easy clean

DIMENSIONS

Height	35 ³ / ₄ - 37 ¹ / ₄ "
Width	35 ⁷ / ₈ "
Depth	25 ¹ / ₄ "



FEATURES & BENEFITS

Multi-shelf cooking

Our AeroTech™ system circulates air evenly throughout the entire oven so dishes on the top shelf turn out just as perfect as food cooking on the bottom shelf.

Quality and durability

Every detail has been carefully crafted. The solid, perfectly

balanced soft-close door, durable cooktop and glowing halo dials all add up to an exceptional, premium range.

Power & control

Instant and immediate control from the highest to the gentlest heat. The finely tuned cooktop controls let you sear, stir fry or simmer a delicate sauce to perfection.

Easy to clean

Cleaning up spills is effortless. Your cooktop simply needs a quick wipe to keep it looking good as new. The self-clean function breaks down food residue at a very high temperature, leaving a light ash that's easily removed with a damp cloth.

Even heat

Accurate, electronically-controlled oven heat ensures a great result every time.

Large capacity oven

The generous 4.9 cu.ft total capacity oven gives you plenty of space to cook multiple dishes at once, with enough room to fit a 32 lb turkey.

SPECIFICATIONS

Accessories

2-pc grill system (Broil pan and	•
Broil pan	•
Grill rack	•
Hob rear trim (optional)	3 1/8" (part 81654)
Kick strip, stainless steel	Part 81659

Capacity

Shelf positions	7
Total capacity	4.9 cu ft

Cleaning

Acid resistant graphite enamel	•	Internal light	4 x 25W halogen (2 side & 2	Supply voltage	208 - 240V
Drop down grill element	•	Pyrolytic proof shelf runners	•	<hr/>	
Flat easy clean glass surface	•	Pyrolytic self-clean	•	Product dimensions	
Pyrolytic proof shelf runners	•	Self cleaning	•	Depth	25 1/4 "
Pyrolytic self-clean	•	Soft open/close door	•	Height	35 3/4 - 37 1/4 "
Removable oven door	•	True convection	•	Installation cutout dimensions	25 1/4 "
Removable shelf runners	•	Twin cavity fans	•	Installation cutout dimensions	36 "
<hr/>		Warming drawer	220W	Width	35 7/8 "
<hr/>		<hr/>		<hr/>	
Controls		Oven functions		Rangetop features	
Audio feedback	•	Aero Broil	•	Auto heat reduce	•
Automatic cooking/minute	•	Aero™ Bake	•	Dual zones	•
Automatic pre-set	•	Aero™ Pastry with Pizza mode	•	Gentle heat	3 settings (108°F, 149°F,
Celsius/Fahrenheit	•	Bake	•	Heat settings	9
Electronic clock	•	Broil	•	Hob rear trim	3
High resolution display	•	Maxi Broil	•	Induction cooking technology	•
Interior light	•	Number of functions	9	PowerBoost	•
Laser etched graphics	•	Pyrolytic self-clean	•	PowerBoost	up to 5500W
Precise electronic temperature	•	Rapid proof	•	PowerBoost all zones	up to 5500W
Sabbath mode	•	Roast	•	SmartZone	•
Toughened fused glass	•	True Aero	•	Zone bridging	•
Turned stainless steel clock	•	<hr/>		<hr/>	
Turned stainless steel clock	•	Oven performance		Rangetop Performance	
Turned stainless steel dials with	•	Bake	•	Centre	1850/5500W
<hr/>		CoolTouch door	Quadruple glazed	Left front zone rating	2100W/3700W
Oven features		Warming drawer power	220W	Left rear zone rating	2100W/3700W
AeroTech™ technology	•	<hr/>		Number of cooking zones	5
Automatic rapid pre-heat	•	Power requirements		PowerBoost all zones	up to 5500W
Concealed element	•	Amperage	65A (Recommended Electrical	Right front zone rating	2100W/3700W
Electronic oven control	•	Supply frequency	60Hz	Right rear zone rating	2100W/3700W
Full extension telescopic	2 sets (part 578744)				

Safety




- Advanced cooling system •
- Anti-tilt bracket •
- Balanced oven door •
- Catalytic venting system •
- Child lock •
- Full extension telescopic •
- Non-tip shelves •
- Pan detection system •
- Safety time out •
- Spill containment **3/8 gallon**
- Spillage auto off •
- Surface hot indicators •

Warranty

Parts and labor **2 years**

SKU 81310

Other product downloads available at fisherpaykel.com

-  [User Guide](#)
-  [Service & Warranty Booklet](#)
-  [Installation Guide](#)



A PEACE OF MIND SALE
24 Hours 7 Days a Week Customer Support
T 1300 650 590 W www.fisherpaykel.com

The product dimensions and specifications in this page apply to the specific product and model. Under our policy of continuous improvement, these dimensions and specifications may change at any time. You should therefore check with Fisher & Paykel's Customer Care Centre to ensure this page correctly describes the model currently available. Â© Fisher & Paykel Appliances Ltd 2019.