

Integrated Single DishDrawer™ Dishwasher, Tall, Sanitize

Series 11 | Integrated

Panel Ready

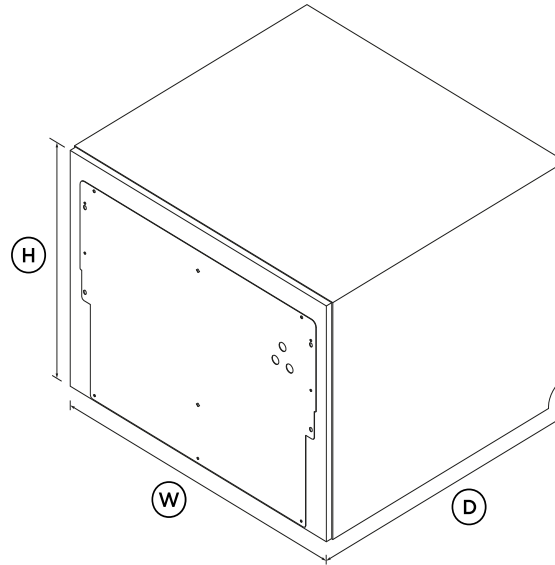


Place anywhere in your kitchen at bench height for easy loading and seamless integration. Features a premium stainless steel interior.

- Eight wash cycles from Heavy to Light, including Auto, 60min and Glassware
- Fits full-size dinner plates up to 12 1/4 inches, with flexible racking for large cookware
- With a soft-close drawer, and knock to pause convenience
- Wi-Fi capability and a SmartHQ™ app for remote control and notifications

DIMENSIONS

Height	17 7/8"
Width	23 9/16"
Depth	22 1/2"



FEATURES & BENEFITS

SEAMLESS INTEGRATION

With the flexibility of ergonomic placement and function, single DishDrawer™ Dishwashers can be distributed throughout the kitchen to support patterns of use. The touch-sensitive control panel is located inside this Integrated model, leaving an uninterrupted exterior that blends seamlessly with surrounding cabinetry.

EASE OF USE

DishDrawer™ Dishwashers are beautiful to use with soft-close drawers, and can be conveniently positioned at bench height for ease of loading and minimal bending. Flexible racking includes height-adjustable cup racks and wine glass supports.

FLEXIBLE WASH OPTIONS

Eight wash programs including Auto, 60min and Glassware, while modifiers such as Sanitize, Dry+ and Quiet provide added wash flexibility. The Quiet wash modifier reduces the noise on some cycles while maintaining performance - perfect for late night washing.

DESIGN QUALITY

Every detail has been carefully crafted using quality materials, from the easy-to-clean stainless steel interior to the spray arm sensor that detects jams for increased wash confidence.

KNOCK TO PAUSE

For ease-of-use, these DishDrawer™ Dishwashers have a knock to pause function. A knock on the front panel will pause the dishwasher, which can be restarted by using the start button.

QUIET PERFORMER

Running at a low decibel rating of 43dBA, these DishDrawer™ Dishwashers do their job without making a fuss. The combination of intelligent technology and simple mechanics means greater reliability and excellent wash performance.

EFFICIENT PERFORMANCE

Our Energy Star rated DishDrawer™ Dishwashers use the energy they need without compromising on wash performance.

SPECIFICATIONS

Accessories

Contemporary round handle	AHS-OBDD-60S
Contemporary square fine	AHD5-OBDD-60S
Contemporary square handle	AHD3-OBDD-60S
Cutlery basket	•

Knife clip and multipurpose	•
Professional round flush handle	AHP3-DWDD-SX
Professional round handle kit	AHP2-DWDD-SX
Stainless steel door panel	ADDD24STPX

Capacity and loading

Accommodates round plates	12.25"
Adjustable height, foldable	•
Fold down tines	•
Pitch adjustable tines	•
Place settings	7
Wine glass supports with	•

Consumption

Energy rating	Energy star
Water usage (per wash cycle)	1.8 gal

Controls

Child lock	•
Electronic fault/Diagnostic	•
End of cycle beeps	•
Energy saving delay start	•
Internal wash selector	•
Intuitive capacitive touch	•
Knock to pause	•
Rinse aid indicator light	•
Spray arm sensing	•
Wi-Fi connectivity	•

Features

Built-in water softener	•
Fan assisted drying	•
Flood protection	•
Flow through detergent	•
Internal tub material	Stainless steel
Quiet operation	•
SmartDrive™ technology	•
Soft close drawer	•

Performance

Noise on standard cycle top	43dBA
-----------------------------	--------------

Power requirements

Amperage	5A
Rated current	15A
Supply frequency	60Hz
Supply voltage	120V

Product dimensions

Depth	22 1/2"
Height	17 7/8"
Width	23 9/16"

Safety and compliance

ADA compliant	•
---------------	---

Warranty

Parts and labour	Limited 2 years
------------------	------------------------

Wash Program Modifiers

Dry +	•
Quiet	•
Sanitize	•
Wash modifiers	3

Wash Programs

60 min	•
Auto	•
Eco	•
Glassware	•
Heavy	•
Light	•
Medium	•
Rinse	•
Wash programs	8

Water connection

Inlet water temperature	max 140°F
Supplied hose to suit 3/8"	•

SKU	82166
-----	-------

The product dimensions and specifications in this page apply to the specific product and model. Under our policy of continuous improvement, these dimensions and specifications may change at any time. You should therefore check with Fisher & Paykel's Customer Care Centre to ensure this page correctly describes the model currently available. ? Fisher & Paykel Appliances Ltd 2020

Other product downloads available at fisherpaykel.com

- [↓](#) Wash Program Data Sheet
- [↓](#) Guide d'utilisation
- [↓](#) Service & Warranty
- [↓](#) Wash Program Data Sheet
- [↓](#) Energy Label
- [↓](#) User Guide DishDrawer™
- [↓](#) Installation Guide
- [↓](#) Guide D'installation
- [↓](#) Installation Guide Single DishDrawer™
- [↓](#) Installation Guide Single DishDrawer™



A PEACE OF MIND SALE

24 Hours 7 Days a Week Customer Support

T 1.888.936.7872 W www.fisherpaykel.com