

Freestanding Dishwasher, Sanitise

Series 5 | Contemporary

Stainless Steel

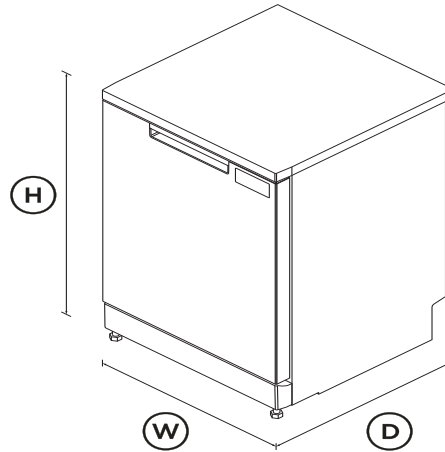


Designed to match the Contemporary family of appliances, this dishwasher delivers multiple wash options and Auto Door Open Dry.

- Seven wash programs from Heavy to Light, including Auto, 60min and Eco
- Dry+, Sanitise, Half Load and Intensive modifiers provide extra wash options
- Flexible freestanding installation anywhere in your kitchen
- Impressive 4 star energy rating and 5 star (WELS) water ratings

DIMENSIONS

| | |
|--------|-------------|
| Height | 848 - 893mm |
| Width | 597mm |
| Depth | 600mm |



FEATURES & BENEFITS

Considered design

Designed to match our Contemporary style family of products, this freestanding dishwasher has a sleek stainless steel finish with a front-of-door control panel for intuitive usability.

Effortless drying

For beautifully dry dishes every time, this dishwasher features the Auto Door Open Dry function. This function automatically releases excess steam at the end of the cycle, ensuring dishes are

immediately ready for use or storage.

A reliable clean

This dishwasher offers seven wash programs including Auto, which automatically senses the optimal wash settings for your dishes. The three-stage filtration system delivers a superior clean, while the rinse aid indicator reminds you to top up for beautifully clean dishes.

Customise your wash

The Half Load modifier is perfect for washing a partial load, for faster turnaround of dishes. Sanitise provides extra protection, killing 99.9% of bacteria* in the final rinse, while the Dry+ modifier is great for plastic dishes. *Certified to NSF/ANSI Standard 184

Efficient performance

With a 4 star energy rating and 5 star water rating, this dishwasher delivers a powerful wash. Use the Eco wash program for optimal water and energy consumption, or choose when the cycle begins with Delay Start.

Flexible loading

Designed to fit 15 place settings with ease, adjustable racks help you to load and care for various items – including a height-adjustable upper basket, and foldable cup holders and tines.

SPECIFICATIONS

Capacity and loading

| | |
|-----------------------------|-------|
| Accommodates round plates | 320mm |
| Accommodates round plates | 250mm |
| Adjustable height, foldable | • |
| Easy lift adjustable upper | • |
| Fold down tines | • |
| Place settings | 15 |

Consumption

| | |
|------------------------------|-------------------------|
| Energy rating | 4 star |
| Energy usage | 246kWh/year |
| In-use energy carbon | 160.2kgCO2e/year |
| Water consumption (per wash) | 12.2L |
| Water efficiency | 5 star (WELS) |

Controls

| | |
|----------------------------|---|
| Energy saving delay start | • |
| Intuitive capacitive touch | • |
| Keylock | • |
| Rinse aid indicator light | • |

Features

| | |
|-------------------------------|------------------------|
| Aquastop | • |
| Auto Door Open Dry | • |
| Flood protection | • |
| Half load option | • |
| Internal tub material | Stainless Steel |
| Motor type | Asynchronous |
| ThermoDry system | • |
| Three-stage filtration system | • |

Performance

| | |
|-----------------|--------------|
| Noise emissions | 46dBA |
|-----------------|--------------|

Power requirements

| | |
|------------------|-------------------|
| Amperage | 10A |
| Supply frequency | 50Hz |
| Supply voltage | 220 - 240V |

Product dimensions

| | |
|--------|--------------------|
| Depth | 600mm |
| Height | 848 - 893mm |
| Width | 597mm |

Warranty

| | |
|------------------|----------------|
| Parts and labour | 2 years |
|------------------|----------------|

Wash Program Modifiers

| | |
|----------------|----------|
| Dry + | • |
| Half-load | • |
| Sanitise | • |
| Wash modifiers | 3 |

Wash Programs

| | |
|---------------|----------|
| 60 min | • |
| Auto | • |
| Eco | • |
| Heavy | • |
| Light | • |
| Medium | • |
| Rinse | • |
| Wash programs | 7 |

Water connection

| | |
|----------------|----------------------------------|
| Water pressure | 30kPa - 1000 kPa |
| Water supply | 3/4" BSP (20mm) Connector |

SKU

82427

The product dimensions and specifications in this page apply to the specific product and model. Under our policy of continuous improvement, these dimensions and specifications may change at any time. You should therefore check with Fisher & Paykel's Customer Care Centre to ensure this page correctly describes the model currently available. ? Fisher & Paykel Appliances Ltd 2020

Other product downloads available at fisherpaykel.com

- [↓](#) Service & Warranty
- [↓](#) User Guide Dishwasher
- [↓](#) Wash Program Data Dishwasher
- [↓](#) Energy & Water Label Dishwasher
- [↓](#) Installation Guide Dishwasher
- [↓](#) Preliminary Specification Guide Dishwasher
- [↓](#) Data Sheet Dishwasher



A PEACE OF MIND SALE

24 Hours 7 Days a Week Customer Support

T 1300 650 590 **W** www.fisherpaykel.com