

FISHER & PAYKEL

COMBINATION STEAM OVEN

MINIMAL

OS60SMTDB1, OS60SMTDG1

CONTEMPORARY

OS60SDTDX2, OS60SDLX1

INSTALLATION GUIDE

BI EU

⚠ WARNING!



Electric Shock Hazard

Failure to follow this advice may result in electric shock or death.

- Before carrying out any work on the electrical section of the appliance, it must be disconnected from the mains electricity supply.
- Connection to a good earth wiring system is absolutely essential and mandatory.
- Alterations to the domestic wiring system must only be made by a qualified electrician.

⚠ WARNING!



Fire Hazard

Failure to follow this advice may result in overheating, burning, and injury.

- Do not use adapters, reducers, or branching devices to connect this appliance to the mains power supply.

⚠ WARNING!



Cut Hazard

Failure to use caution could result in injury.

- Take care: some edges are sharp.

READ AND SAVE THIS GUIDE

WARNING!

To avoid hazard, follow these instructions carefully before installing or using this appliance.

- Please make this information available to the person installing the appliance—doing so could reduce your installation costs.
- This appliance must be installed and connected to the mains power supply only by a suitably qualified person according to these installation instructions and in compliance with any applicable local building and electricity regulations. Failure to install the appliance correctly could invalidate any warranty or liability claims.
- If the power supply cable is damaged, it must be replaced by the manufacturer, its service agent or similarly qualified person in order to avoid a hazard.
- Isolating switch: make sure this oven is connected to a circuit which incorporates an isolating switch providing full disconnection from the power supply in accordance with the wiring rules.
- The oven must be earthed.
- Do not use adapters, reducers or branching devices to connect the oven to the mains electricity supply, as they can cause overheating and burning.
- The appliance must not be installed behind a decorative door in order to avoid overheating.
- Please take extra care not to damage the lower trim of the oven during installation. The trim is important for correct air circulation and allows the door to open and close without obstruction. The manufacturer does not accept any responsibility for damage resulting from incorrect installation.

INSTALLATION CONSIDERATIONS

BEFORE INSTALLATION

Ensure that:

- the oven cavity is square and level based on the required dimensions
- the installation will comply with all clearance requirements and applicable standards and regulations
- the isolating switch will be easily accessible to the customer with the oven installed
- the electrician provides sufficient free length of power supply cable to reach from the bottom rear of the cavity to at least 1.5m in front of the bottom edge of the opening
- the cable may enter the cavity from the side, top or bottom, but top entry must be at the rear of the cavity
- the oven connection socket is outside the cavity if the oven is flush to the rear wall
- the oven will rest on a surface that can support its weight
- the height from the floor suits the customer
- you consult local building authorities and by-laws if in doubt regarding installation

IMPORTANT!

Some environmental factors and cooking habits can cause condensation in and around the oven during use. To protect surrounding cabinetry from possible damage caused by frequent or excessive condensation, we recommend moisture-proofing the oven cavity.

AFTER INSTALLATION

Ensure that:

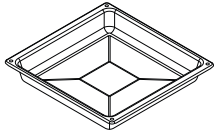
- the oven door can open fully without obstruction
- the oven is not sealed into the cabinetry with silicone or glue. This makes future servicing difficult. Fisher & Paykel will not cover the costs of removing the oven, or of damage caused by this removal
- the power supply cable does not touch any hot metal parts
- the isolating switch is easily accessible to the customer with the oven installed
- you complete the 'Installer checklist' at the end of the installation
- there is enough clearance for opening and closing operation of the moving control panel.

If, after following the guidance given, correct performance cannot be achieved, please contact your nearest Fisher & Paykel trained and supported service technician, Customer Care, or contact us through our website fisherpaykel.com

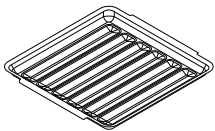
COMPONENTS

STANDARD ACCESSORY KIT

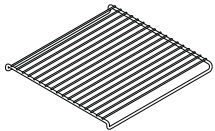
Part No. 580720
Supplied with all models.



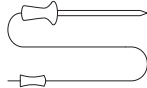
Roast dish



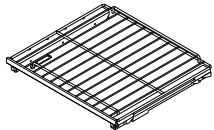
Grid



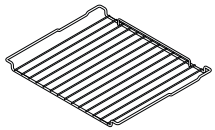
Grill rack



Food probe



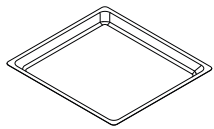
Full extension sliding shelf



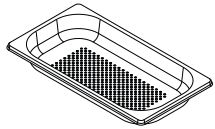
Step down wire shelf

STEAM ACCESSORY KIT

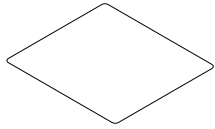
Part No. 580836
Supplied with all models.



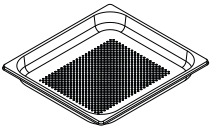
Large solid dish



Small perforated dish



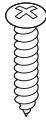
Tray



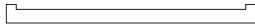
Large perforated dish

INSTALLATION KIT

Supplied with all models.

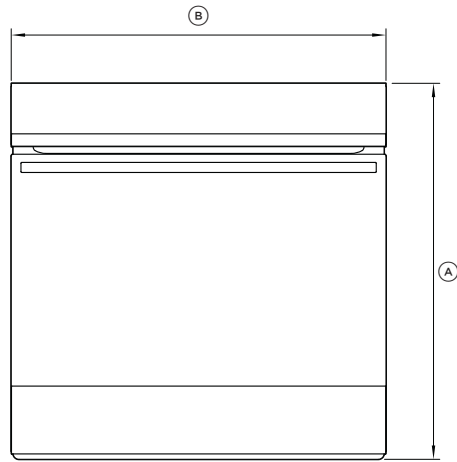


Screws (2)

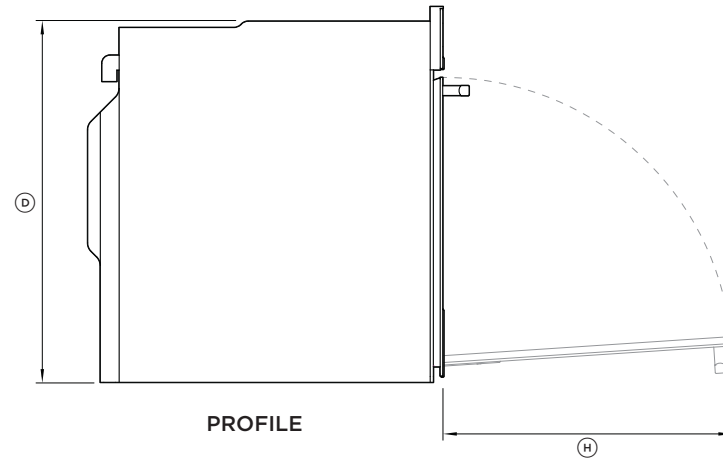


Cabinetry trim (1)

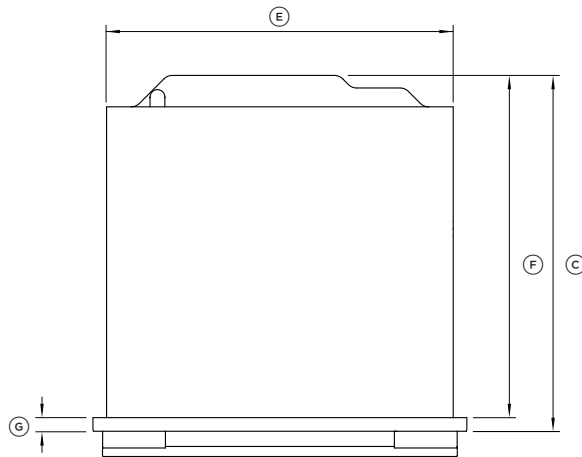
PRODUCT DIMENSIONS



FRONT



PROFILE

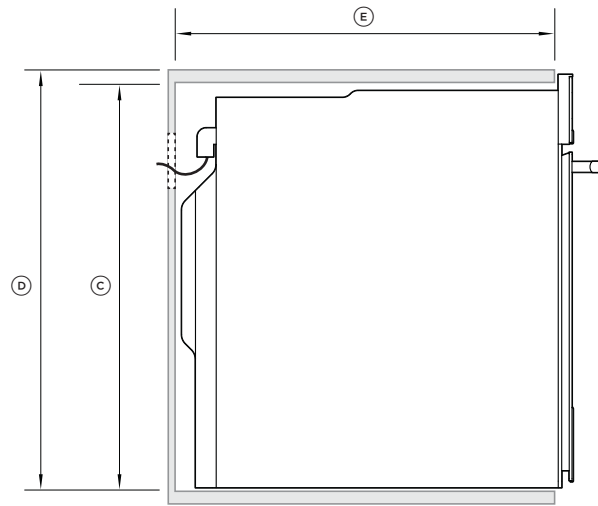


PLAN

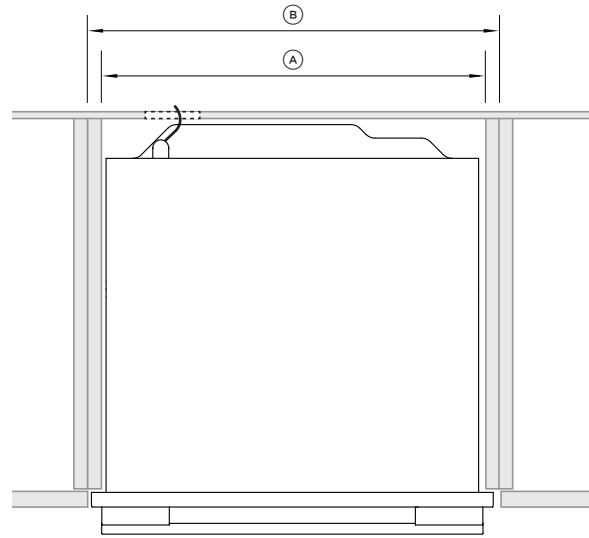
PRODUCT DIMENSIONS

PRODUCT DIMENSIONS	OS60SDT
	MM
Ⓐ Overall height of oven	598
Ⓑ Overall width of oven	596
Ⓒ Overall depth of oven (excluding handle and dials)	566
Ⓓ Height of chassis	575
Ⓔ Width of chassis	556
Ⓕ Depth of chassis	545
Ⓖ Depth of oven frame and control panel (between front of chassis and front of oven door)	21
Ⓗ Depth of oven door when fully open (measured from front of control panel)	460

CABINETY DIMENSIONS

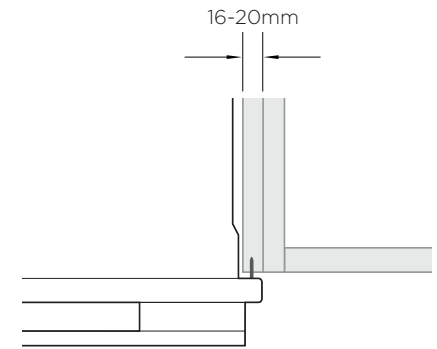


PROFILE

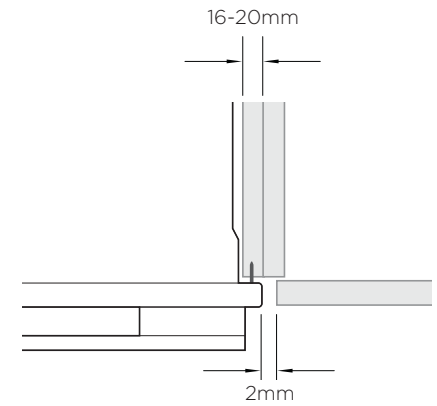


PLAN

PROUD INSTALL



FLUSH INSTALL



CABINETY DIMENSIONS

OS60SDT

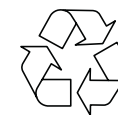
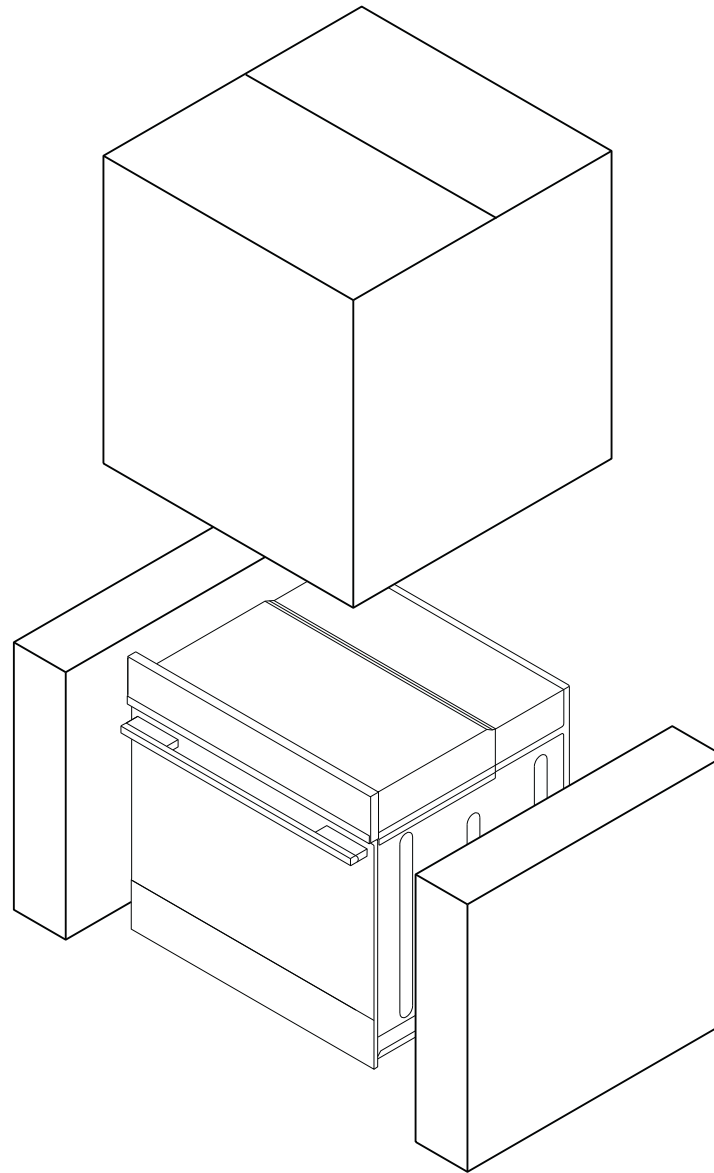
MM

Ⓐ	Minimum inside width of cavity	560
Ⓑ	Overall width of cabinetry	600
Ⓒ	Minimum inside height of cavity	580
Ⓓ	Overall height of cabinetry	600
Ⓔ	Minimum inside depth of cavity	550

If installing a cooktop above the oven, ensure adequate clearance is provided as per the cooktop manufacturer's instructions.

Ensure a 5mm minimum clearance is maintained between the top of the oven chassis and the cabinetry. Ensure the oven is not bearing any weight from cabinetry or products installed above.

DISCARD PACKAGING RESPONSIBLY



Remove the packaging from the side and accessories box from the top of the oven, and set aside.

Recycle responsibly

CONNECT THE OVEN TO THE MAINS SUPPLY

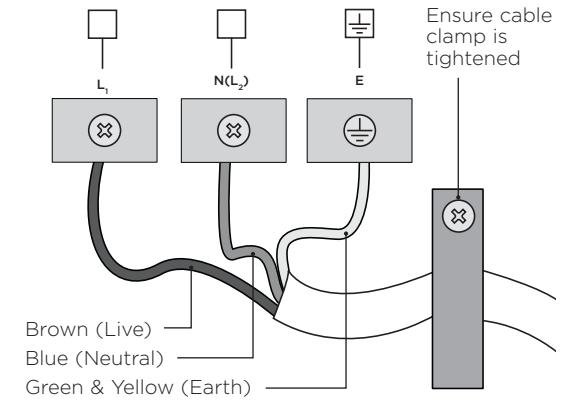
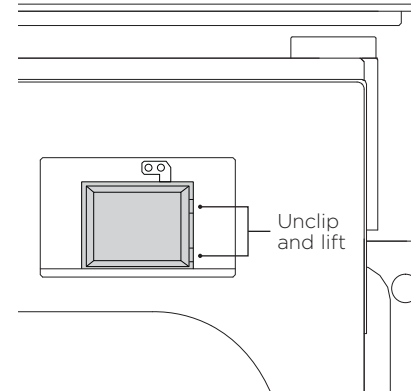
- This oven must be connected to the mains power supply only by a suitably qualified person.
- This oven must be earthed.

Before connecting the oven to the mains power supply, check that:

the domestic wiring system is suitable for the power drawn by the oven (as specified on the rating plate).

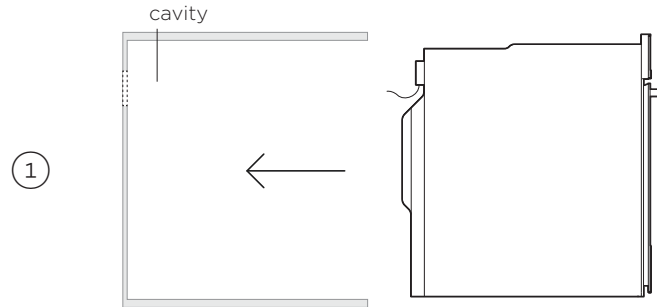
the voltage corresponds to the value given on the rating plate.

MODEL CODE	MAX POWER (W)	HZ	VOLTAGE (V)	AMPS (A)
OS6OSDT	2800 - 3300	50 - 60	220 - 240 V~	12.8 - 13.8



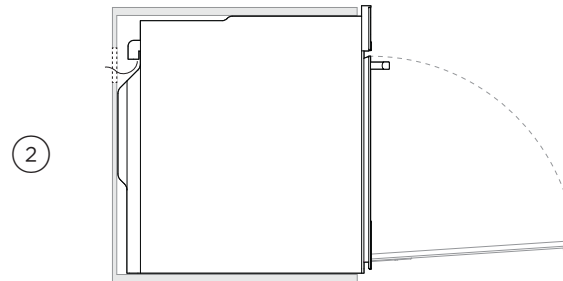
SECURE THE OVEN TO THE CABINETY

- Do not lift the oven by the door handle.
- Do not over-tighten the screws.
- Do not seal the oven into the cabinetry with silicone or glue. This makes future servicing difficult. Fisher & Paykel will not cover the costs of removing the oven, or of damage caused by this removal.



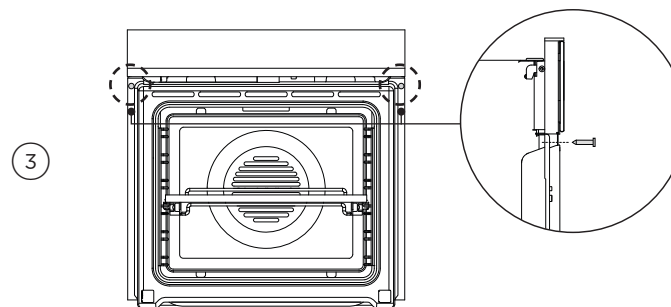
For dark cabinetry, the supplied trim can be used to enhance clashing finish. To install, remove the trim adhesive and press to secure to cavity.

Position the oven in the prepared cavity.



Open the oven door fully.

Mark and pre-drill the screw holes to the sides of the cabinetry.



Use the supplied screws to secure the oven to the cabinetry.

INSTALLER CHECKLIST

TO BE COMPLETED BY THE INSTALLER

- Ensure the oven is level and securely fitted to the cabinetry.
- Open the oven door slowly until it is fully open and check there is adequate clearance between the bottom of the door and the lower trim. This is to ensure correct air circulation. Should the lower trim become damaged, straighten the trim and ensure the oven door opens fully without obstruction.
- Ensure all internal packaging (including the circular yellow packing retainers holding the accessory box in place) is removed.
- Ensure all oven vents and openings are clear and free of any obstruction or damage.
Failure to make sure all oven vents are clear may result in poor product performance.
- Ensure the isolating switch is accessible by the customer.

TEST OPERATION:

- Turn on the oven. The display should light up.
- Set the clock following the instructions in the 'User guide'.
- Turn on the moving control panel. Remove protective wrap from control panel arms. Check clearance during opening and closing operation.
- Set the oven to **BAKE** at 50°C. The cavity light should turn on inside the oven cavity and air should blow out from the vent at the top of the oven. After five minutes, open the oven door. The air inside should feel warm. Turn the oven off.
- Demonstrate the basic operation to the customer.

Complete and keep for safe reference:

Model _____
Serial No. _____
Purchase Date _____
Purchaser _____
Dealer Address _____
Installer's Name _____
Installer's Signature _____
Installation Company _____
Installation Date _____

FISHERPAYKEL.COM

© Fisher & Paykel Appliances 2023. All rights reserved.

The models shown in this guide may not be available in all markets
and are subject to change at any time.

The product specifications in this guide apply to the specific products and
models described at the date of issue. Under our policy of continuous product
improvement, these specifications may change at any time.

For current details about model and specification availability in your country,
please go to our website or contact your local Fisher & Paykel dealer.

431405A 09.23