

Oven, 76cm, 17 Function, Self-cleaning

Series 9 | Contemporary

Stainless Steel

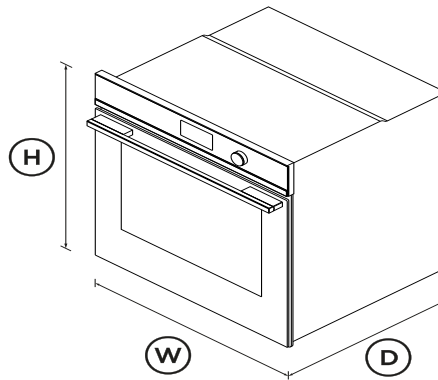


With a large capacity and beautiful Contemporary styling, this built-in oven will complement your kitchen design perfectly.

- Touchscreen guided cooking capability offers helpful tips for different food types as well as full recipes
- 115L total capacity with 17 oven functions including Roast, Pastry Bake, Slow Cook and Rapid Proof
- Pyrolytic self-cleaning function breaks down food residue for an easy clean
- Moisture level control with ActiveVent technology

DIMENSIONS

Height	690mm
Width	760mm
Depth	608mm



FEATURES & BENEFITS

COOK WITH CONFIDENCE

Using the large 5" touchscreen interface, you can cook with a favourite method, a hero ingredient, or a go-to cooking function or recipe. Your oven will guide you through the steps, or change the temperature and heat type automatically, depending on your selection.

Generous Capacity

With an incredible 115L total capacity in each oven, you can create several perfectly cooked dishes at once using multiple

shelves.

Multi-function flexibility

Each function has been tailored, tested and perfected to ensure that no matter what you're cooking, you've got the right heat to match. Purchase our Wireless Temperature Sensor accessory and precisely monitor cooking in real time (accessory sold separately).

Exceptional Performance

AeroTech™ circulates heat evenly for a consistent temperature throughout the cavity, helping you ensure perfect results even when cooking on multiple shelves.

Self-Cleaning

Pyrolytic self-clean breaks down food residue at a very high temperature, leaving a light ash that's easily removed with a damp cloth. The enamel coated side racks don't need to be removed when using this function.

Design Freedom

Designed to fit seamlessly into your kitchen, this built-in oven features premium materials and detailing to support a cohesive, considered kitchen design.

Safe and sound

The CoolTouch door features triple glazing and a cooling system that ensures it's safe to touch from the outside - protecting both your hands and the surrounding cabinetry.

SPECIFICATIONS

Accessories

Flat brushed baking tray	1
Full extension sliding shelves	3 sets
Grill rack	1 set
Pyrolytic proof shelf runners	•
Roasting dish	1
Smokeless grill tray	1

Wired temperature sensor 1

Capacity

Shelf positions 8

Total capacity 115L

Usable capacity 102L

Cleaning

Acid resistant graphite enamel •

Pyrolytic proof shelf runners •

Pyrolytic self-clean •

Removable oven door •

Removable shelf runners •

Controls

Adjustable audio and display •

Audio feedback •

Automatic cooking/minute •

Automatic pre-set •

Celsius/Fahrenheit •

Delay start •

Electronic clock •

Electronic oven control •

Food probe •

Guided cooking by food type •

Halogen lights •

Intuitive touchscreen display •

Multi-language display **UK English, US English,**

Sabbath mode with Mehadrin •

True convection oven •

Turned stainless steel dials •

Wi-Fi connectivity •

Functions

Air fry •

Bake •

Classic bake •

Dehydrate •

Fan bake •

Fan forced •

Fan grill •

Grill •

Maxi Grill •

Number of functions 17

Pastry Bake •

Pizza bake •

Pyrolytic self-clean •

Rapid proof •

Roast •

Slow cook •

Vent bake •

Warm •

Performance

ActiveVent™ system •

AeroTech™ technology •

Automatic rapid pre-heat •

Grill power 4400W

Power requirements

Amperage 16.6 - 19.4A

Supply frequency 50Hz

Supply voltage 220 - 240V

Product dimensions

Depth 608mm

Height 690mm

Width 760mm

Safety

Balanced oven door •

Catalytic venting system •

Control panel key lock •

CoolTouch door •

Non-tip shelves •

Safety thermostat •

Warranty

Parts and labour 2 years

SKU 82527

The product dimensions and specifications in this page apply to the specific product and model. Under our policy of continuous improvement, these dimensions and specifications may change at any time. You should therefore check with Fisher & Paykel's Customer Care Centre to ensure this page correctly describes the model currently available. Fisher & Paykel Appliances Ltd 2020

Where applicable:

All appliances use energy, and energy usage typically generates carbon emissions. **Fisher & Paykel Appliances' In-use Energy Carbon Emissions Estimate** indicates

carbon emissions from a product's in-use energy. This is calculated either annually or per cycle, using the product's market-specific energy label energy consumption data multiplied by the carbon emissions factor for energy in your country or region.

Our In-use Energy Carbon Emissions Estimate is designed to assist customers in making informed purchasing decisions when comparing different Fisher & Paykel products. For example, a heat pump dryer typically has a lower In-use Energy Carbon Emissions Estimate than a vented dryer.

Other product downloads available at fisherpaykel.com



Service & Warranty



User Guide Oven



Installation Guide Wall Oven



Data Sheet Oven



Planning Guide - 76cm Built-in Ovens and Companions - Contemporary Stainless Steel



A PEACE OF MIND SALE

24 Hours 7 Days a Week Customer Support

T 1300 650 590 **W**www.fisherpaykel.com