

FISHER & PAYKEL

FULL SURFACE INDUCTION COOKTOP

CI926DTB4 model

INSTALLATION GUIDE

NZ AU UK IE SG

⚠ WARNING!



Electric Shock Hazard

Failure to follow this advice may result in electric shock or death.

- Disconnect the appliance from the mains electricity supply before carrying out any work or maintenance.
- Connection to a good earth wiring system is essential and mandatory.
- Alterations to the domestic wiring system must only be made by a qualified electrician.

⚠ WARNING!



Cut Hazard

Failure to use caution could result in injury.

- Take care: some edges are sharp.

READ AND SAVE THIS GUIDE

General Use

- Read these instructions carefully before installing this product.
- Save these instructions for the local electrical inspector's use.
- Installation must comply with your local building and local electricity regulations.
- This appliance is to be installed and serviced only by Fisher & Paykel trained and supported service technician or qualified person.
- The manufacturer accepts no responsibility for the incorrect installation of appliances. Incorrect installation may result in personal injury, damage to property and may invalidate any warranty or liability claims.
- Do not modify this appliance.
- Do not use or store flammable materials on or near this appliance.
- Packing elements (eg plastic bags, polystyrene foam, staples, packing straps etc) and tools should not be left around during and after installation, especially if they are within easy reach of children, as these may cause serious injuries.
- Make sure you recycle the packaging material.
- Before disposing of any appliance, make sure that it can no longer be used and that all hazardous parts are removed or made harmless, so that children playing with the old appliance cannot harm themselves.
- Only genuine replacement parts may be used for servicing the appliance. These are available from your nearest Fisher & Paykel Service Center.
- This cooktop must be connected to the mains power supply only by a suitably qualified person.
- DO NOT use adapters, reducers, or branching devices when connecting the cooktop to the mains power supply to prevent overheating and fire.
- The power supply cable must not touch any hot parts and must be positioned so that its temperature will not exceed 75°C at any point.
- This cooktop requires adequate supply of cool air to fully function. The base of the cooktop must have direct unrestricted ventilation to the room where the cooktop is installed. There must be a 4mm air gap at the front of the cooktop. (See 'Venting Clearances' page)

INSTALLATION CONSIDERATIONS

BEFORE INSTALLATION

Before installation, please ensure the following:

- A suitable disconnection switch is incorporated in the permanent wiring, mounted and positioned to comply with the local wiring rules and regulations. A means of disconnection with at least a 3 mm air gap contact separation in all poles must be incorporated into the fixed wiring in accordance with the wiring rules, unless the local wiring rules allow for alternative means.
- The benchtop is made of a heat resistant material.
- The power supply cable is not accessible through cupboard doors or drawers.
- There is adequate flow of cool air from the cabinetry to the base of the cooktop. You may ventilate from adjacent cupboards, but ensure that the available air supply will not be restricted.
- The ventilation area must be at least 50mm diameter holes or of equivalent area.
- The isolating switch is easily accessible by the customer.
- Use heat-resistant and easy-to-clean finishes (such as ceramic tiles) for the wall surfaces surrounding the cooktop.
- DO NOT install the cooktop directly above a dishwasher, fridge, freezer, washing machine or clothes dryer, as the humidity may damage the cooktop electronics.
- If the cooktop is installed above an oven, ensure the oven has a built-in cooling fan.
- Ensure the installation complies with all clearance requirements and applicable standards and regulations.
- Consult your local building authorities and by-laws if in doubt regarding the installation.
- To eliminate the risk of burns or fire by reaching over heated surface units, cabinet storage space located above the surface units should be avoided.

During installation, please ensure the following:

- Seal the exposed bare edges of the cutout with an oil-based paint or moisture-proof polyurethane to prevent possible moisture creeping between the cooktop trim and the benchtop.
- Take extreme care not to chip, crack, or break the top glass surfaces during installation. A heavy metal tool or part accidentally dropped on the glass could damage it.
- If, after following the instructions given, correct performance cannot be achieved, please contact your nearest Fisher & Paykel Service Centre, Customer Care, or contact us through our local website listed at the end of this document.

IMPORTANT!

The owner carries all risk for flush mounting the cooktop. Fisher & Paykel will not be liable for any costs associated with removing or replacing a flush-mounted and/or sealed-in product, nor for repairing any damage that may be incurred by doing this.

Ensure the installation layout allows access to the cooktop from underneath to avoid cutting out the silicone when servicing.

COMPONENTS

PARTS SUPPLIED

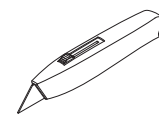


Foam tape (1)

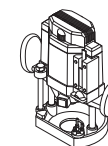
TOOLS REQUIRED



Silicone



Cutter

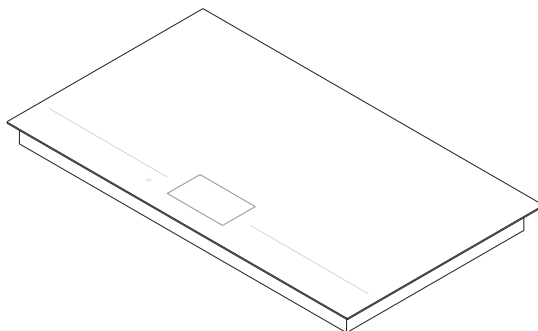


Router

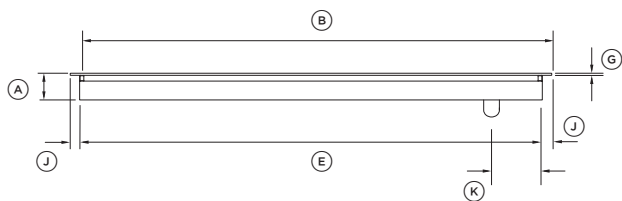
PRODUCT DIMENSIONS



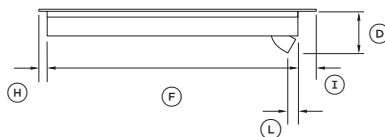
PLAN



ISOMETRIC



FRONT



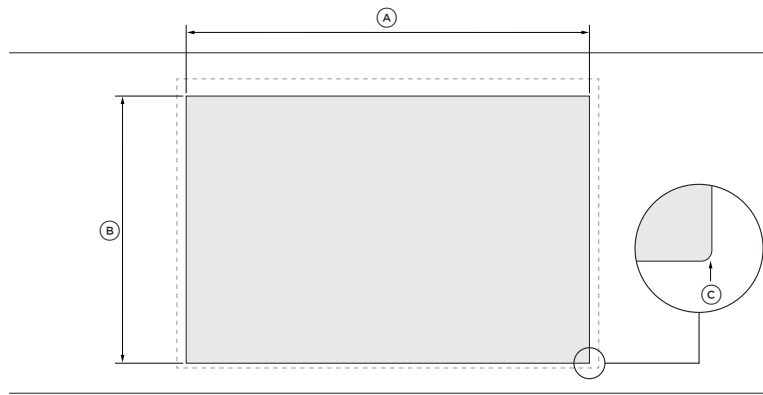
PROFILE

PRODUCT DIMENSIONS	CI926DTB
	MM
Ⓐ Overall height of cooktop	51
Ⓑ Overall width of cooktop	920
Ⓒ Overall depth of cooktop	530
Ⓓ Height of chassis*	47
Ⓔ Width of chassis	884
Ⓕ Depth of chassis	479
Ⓖ Height of cooktop glass	4
Ⓗ Depth of front overhang of cooktop glass	16
Ⓘ Depth of rear overhang of cooktop glass	35
⓵ Depth of side overhang of cooktop glass	18
Ⓚ Distance of power connector from right edge of chassis	100
Ⓛ Distance of power connector from rear of chassis	50

* Includes power plug

CUTOUT DIMENSIONS

PROUD INSTALLATION

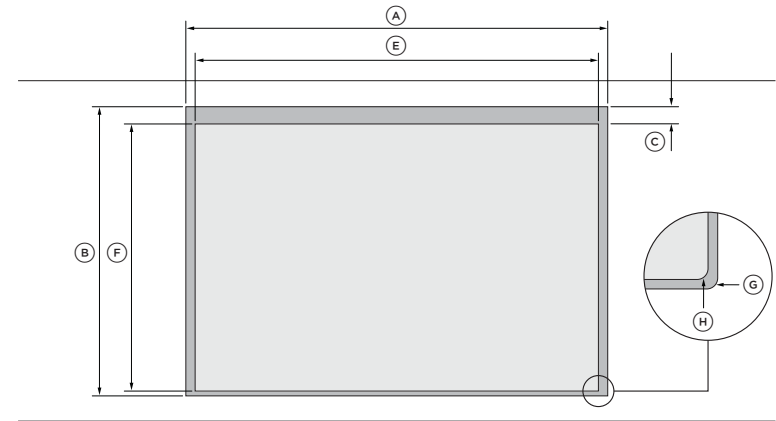


PLAN

FRONT

CUTOUT DIMENSIONS	CI926DTB
	MM
Ⓐ Overall width of cutout	890
Ⓑ Overall depth of cutout	485
Ⓒ Corner radius of cutout	max 10

FLUSH INSTALLATION

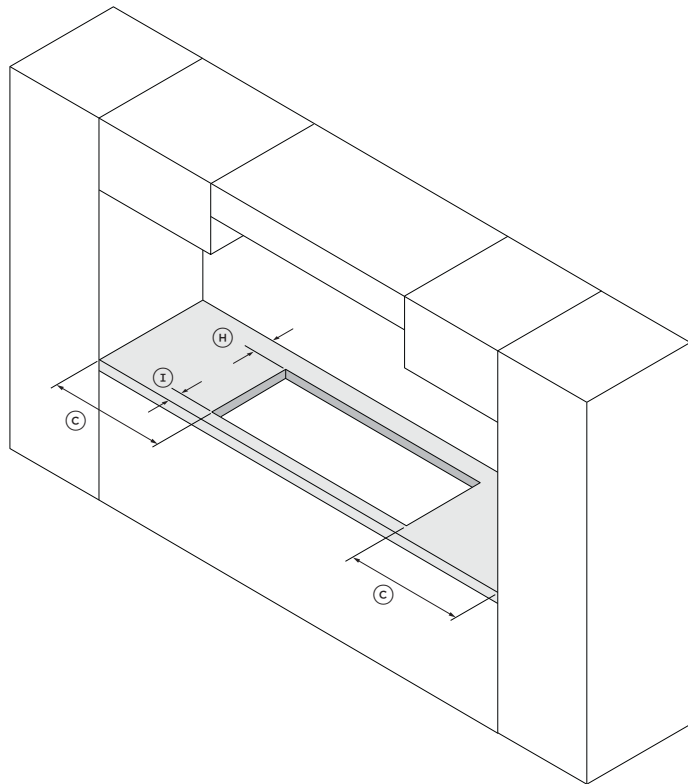
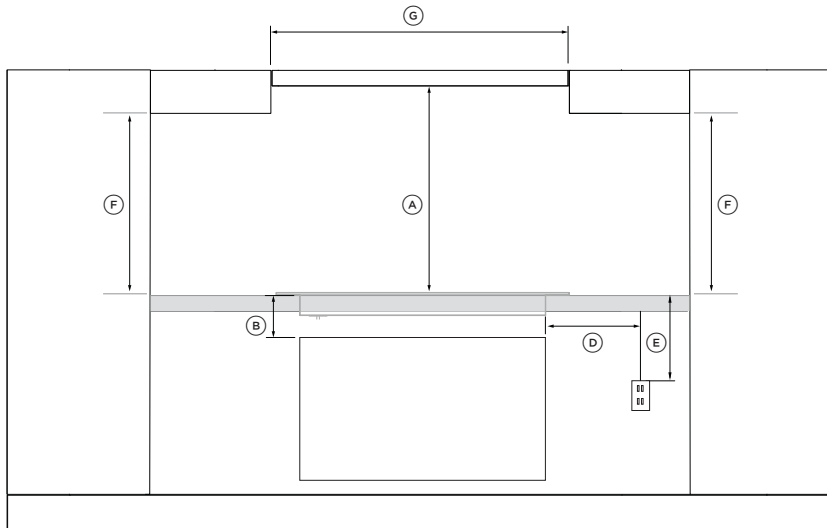


PLAN

FRONT

CUTOUT DIMENSIONS	CI926DTB
	MM
Ⓐ Overall width of routed recess	925
Ⓑ Overall depth of routed recess	535
Ⓒ Offset overhang allowance	35
Ⓓ Height of routed recess	5
Ⓔ Overall width of cutout	890
Ⓕ Overall depth of cutout	485
Ⓖ Corner radius of routed recess	4.5
Ⓗ Corner radius of cutout	max 10

CLEARANCE DIMENSIONS



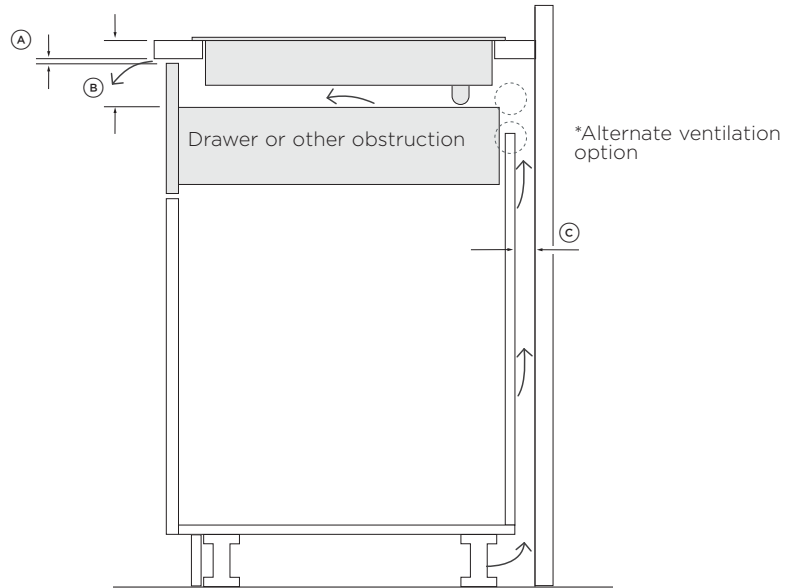
CLEARANCE DIMENSIONS	CI926DTB
	MM
Ⓐ Minimum clearance from glass surface to rangehood	650
Ⓑ Minimum clearance below top of countertop to top of any appliance, companion product or obstruction below cooktop*	65
Ⓒ Minimum clearance from side edges of cutout to nearest combustible surface	30
Ⓓ Maximum distance from right edge of cutout to center of junction box	762
Ⓔ Minimum clearance below top of countertop to junction box	230
Ⓕ Minimum clearance from countertop to overhead cabinet (not directly above the cooktop)	450
Ⓖ Minimum distance between overhead cabinets (centered above the cooktop)	920
Ⓗ Minimum clearance from rear edge of cutout to nearest combustible surface	45
Ⓘ Minimum clearance from front edge of cutout to front edge of counter	35

*Clearance stated is for proud installation of the cooktop. For flush installations, the height of the cooktop glass should be added to the clearance.

VENTING CLEARANCES

DRAWER OR OTHER OBSTRUCTION*

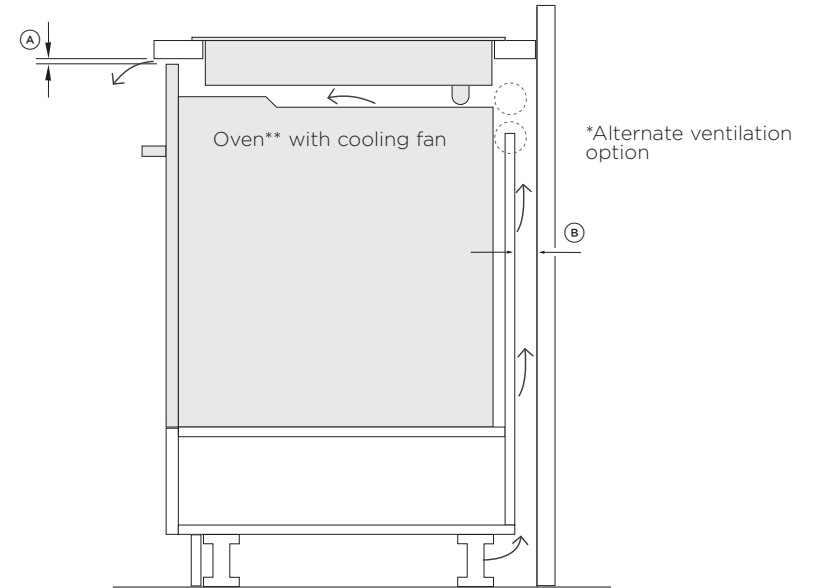
This cooktop requires adequate supply of cool air to fully function. The base of the cooktop must have direct unrestricted ventilation to the room where the cooktop is installed. There must be a 4mm air gap at the front of the cooktop.



CLEARANCE DIMENSIONS	MM
Ⓐ Minimum ventilation gap at the front of the cooktop	4
Ⓑ Minimum clearance below top of countertop to top of any appliance, companion product or obstruction below cooktop	75
Ⓒ Minimum ventilation gap at the rear of the cooktop	20

*If ventilation gap at the rear of the cooktop is not possible, add two x 2" diameter (50mm) holes in the side wall to allow adequate cooling air.

OVEN WITH COOLING FAN**



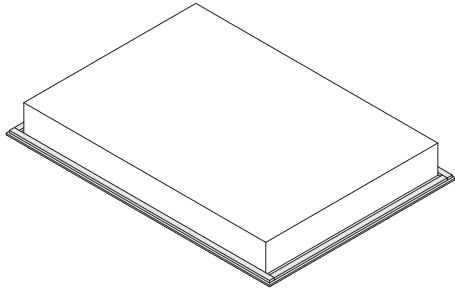
CLEARANCE DIMENSIONS	MM
Ⓐ Minimum ventilation gap at the front of the cooktop	4
Ⓑ Minimum ventilation gap at the rear of the cooktop	20

*If ventilation gap at the rear of the cooktop is not possible, add two x 2" diameter (50mm) holes in the side wall to allow adequate cooling air.

**Some ovens require installation in a sealed box. For ovens installed in the sealed box, the cooktop must be accessed from the top when servicing. Please refer to your oven installation guide for more information.

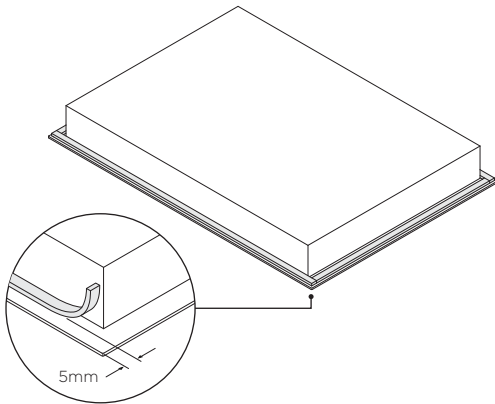
PROUD INSTALLATION

1



Turn the cooktop upside down on a protective cover.

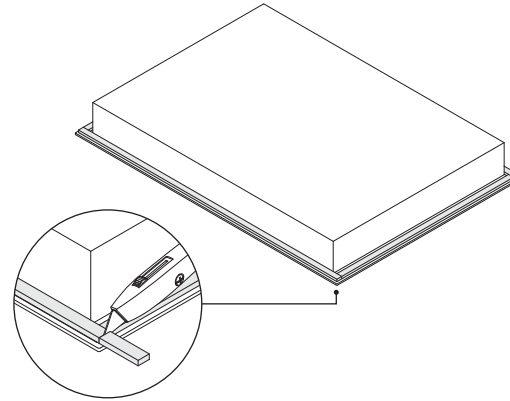
2



Apply adhesive foam tape around the glass overhang, 5mm from the edge of the glass.

Ensure the adhesive side facing is down to form a continuous seal around the cooktop.

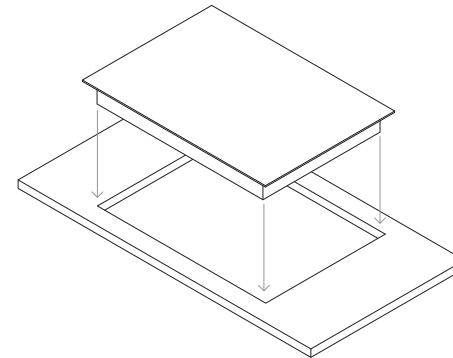
3



Trim the excess adhesive foam tape using a sharp cutter or trimmer knife.

Take care not to damage the benchtop.

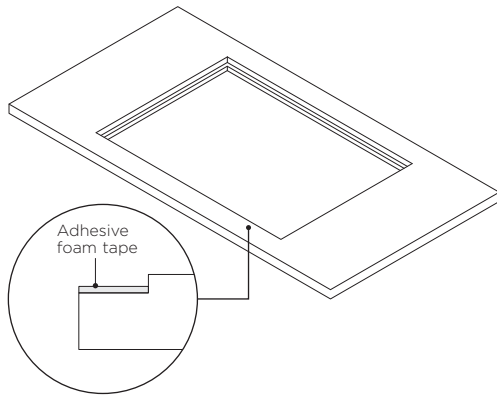
4



Gently lower the cooktop into the cutout ensuring you have access below the countertop for future servicing.

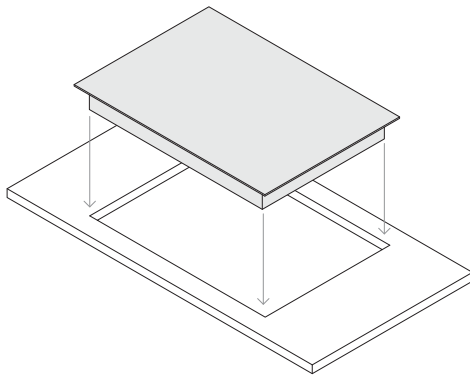
FLUSH INSTALLATION

1



Prepare the countertop for flush installation. Use a router to cut out the edges of the countertop to specified depth (5mm). Attach an adhesive foam tape along the edges of the routed recess.

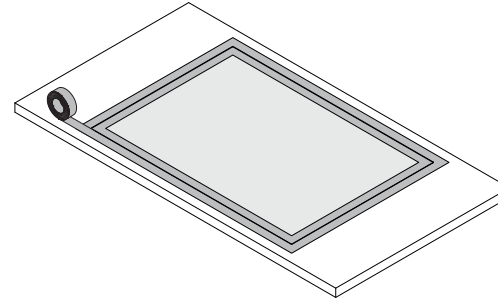
2



Gently lower the cooktop into the cutout ensuring you have access below the countertop for future servicing.

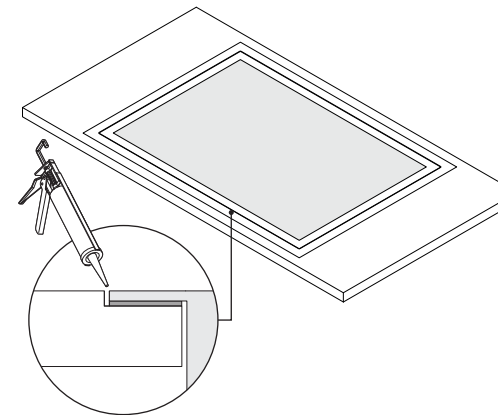
Ensure the installation layout allows access to the cooktop from underneath to avoid cutting out the silicone when servicing.

3



Mask off the area to be siliconed with adhesive tape. Ensure both the cooktop and countertop are protected.

4



Apply silicone in the gap between benchtop and cooktop. Once the silicone dries, remove the adhesive tape and wipe off excess silicone.

ELECTRICAL CONNECTION

SPECIFICATION

Before connecting the cooktop to the mains power supply check that:

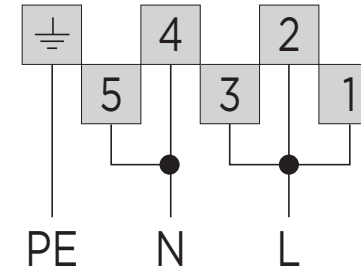
- The domestic wiring system is suitable for the power drawn by the cooktop.
- The voltage corresponds to the value given in the rating plate.
- The power supply cable sections can withstand the load specified on the rating plate.

MODEL	MAX. CURRENT DRAW	MAX. LOAD	VOLTAGE
CI926DTB4	48 A 3x16 A	11100 W	220-240 V 1N - 380-415 V 3N -

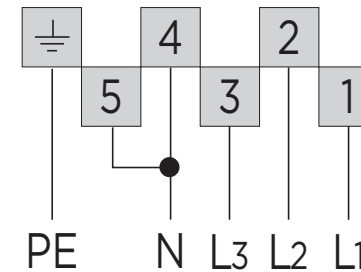
To suit the domestic electric power grid setup of your local market, contact your Fisher & Paykel service technician to limit the maximum power consumption of your cooktop.

CI926DTB MODELS

Single-phase connection



Three-phase connection



INSTALLER CHECKLIST

TO BE COMPLETED BY THE INSTALLER

GENERAL

- Read safety and warnings in the user guide before operating the cooktop.
- Specified clearance maintained.
- Unit is level – front to back and side to side.
- All packaging materials have been removed.
- There is constant flow of cool air from the cabinetry to the base of the cooktop.
- Basic operation has been demonstrated to the customer.
- The cooktop is functioning correctly. Turn on all of them to a high setting and leave them on for at least one minute.
- Touch controls and displays are functioning.

ELECTRICAL

- Receptacle with correctly rated over-current protection is provided for service cord connection.
- Adequate ground connection.
- Power supply cable is accessible and is not touching the cooktop.

Complete and keep for safe reference:

Model _____

Serial No. _____

Purchase Date _____

Purchaser _____

Dealer Address _____

Installer's Name _____

Installer's Signature _____

Installation Company _____

Installation Date _____

FISHERPAYKEL.COM

© Fisher & Paykel Appliances 2023. All rights reserved.

The models shown in this guide may not be available in all markets
and are subject to change at any time.

The product specifications in this guide apply to the specific products and
models described at the date of issue. Under our policy of continuous product
improvement, these specifications may change at any time.

For current details about model and specification availability in your country,
please go to our website or contact your local Fisher & Paykel dealer.

592301C 01.24