

# **F I S H E R & P A Y K E L**

## **BUILT-IN OVEN**

---

OB60SDPT models

**INSTALLATION GUIDE**

**NZ AU GB IE**

**591942A 07.19**

**⚠ WARNING!**



**Electric Shock Hazard**

Failure to follow this advice may result in electric shock or death.

- Before carrying out any work on the electrical section of the appliance, it must be disconnected from the mains electricity supply.
- Connection to a good earth wiring system is absolutely essential and mandatory.
- Alterations to the domestic wiring system must only be made by a qualified electrician.

**WARNING!**



**Fire Hazard**

Failure to follow this advice may result in overheating, burning, and injury.

- Do not use adapters, reducers, or branching devices to connect this appliance to the mains power supply.

**⚠ WARNING!**



**Cut Hazard**

Failure to use caution could result in injury.

- Take care: some edges are sharp.

**WARNING!**

**To avoid hazard, follow these instructions carefully before installing or using this appliance.**

- Please make this information available to the person installing the appliance—doing so could reduce your installation costs.
- This appliance must be installed and connected to the mains power supply only by a suitably qualified person according to these installation instructions and in compliance with any applicable local building and electricity regulations. Failure to install the appliance correctly could invalidate any warranty or liability claims.
- If the power supply cable is damaged, it must be replaced by the manufacturer, its service agent or similarly qualified person in order to avoid a hazard.
- Isolating switch: make sure this oven is connected to a circuit which incorporates an isolating switch providing full disconnection from the power supply in accordance with the wiring rules.
- The oven must be earthed.
- Do not use adaptors, reducers or branching devices to connect the oven to the mains electricity supply, as they can cause overheating and burning.
- The appliance must not be installed behind a decorative door in order to avoid overheating.
- Please take extra care not to damage the lower trim of the oven during installation. The trim is important for correct air circulation and allows the door to open and close without obstruction. The manufacturer does not accept any responsibility for damage resulting from incorrect installation.

**IMPORTANT!  
SAVE THESE INSTRUCTIONS**

The models shown in this installation guide may not be available in all markets and are subject to change at any time. For current details about model and specification availability in your country, please go to our website [www.fisherpaykel.com](http://www.fisherpaykel.com) or contact your local Fisher & Paykel dealer.

## PARTS SUPPLIED

---



Screws (2)



Metal side shelves  
fixing nut (2)

## PRIOR TO INSTALLATION

---

Ensure that:

the countertop and oven cavity are square and level, and are the required dimensions

the installation will comply with all clearance requirements and applicable standards and regulations

the isolating switch will be easily accessible to the customer with the oven installed

the electrician provides sufficient free length of power supply cable to reach from the bottom rear of the cavity to at least 1.5 metres in front of the bottom edge of the opening

the cable may enter the cavity from the side, top or bottom, but top entry must be at the rear of the cavity

the oven connection socket (if fitted) is outside the cavity if the oven is flush to the rear wall

the oven will rest on a surface that can support its weight

the height from the floor suits the customer

you consult local building authorities and by-laws if in doubt regarding installation

### **IMPORTANT!**

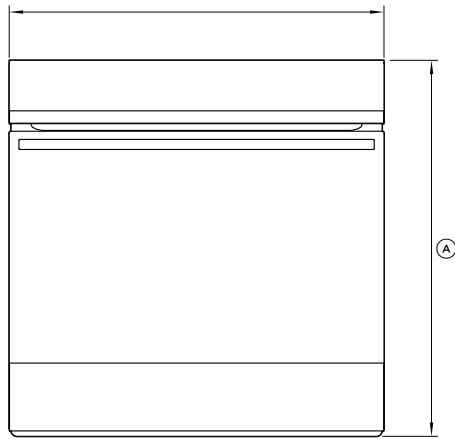
**Some environmental factors and cooking habits can cause condensation in and around the oven during use. To protect surrounding cabinetry from possible damage caused by frequent or excessive condensation, we recommend moisture-proofing the oven cavity.**

## AFTER INSTALLATION

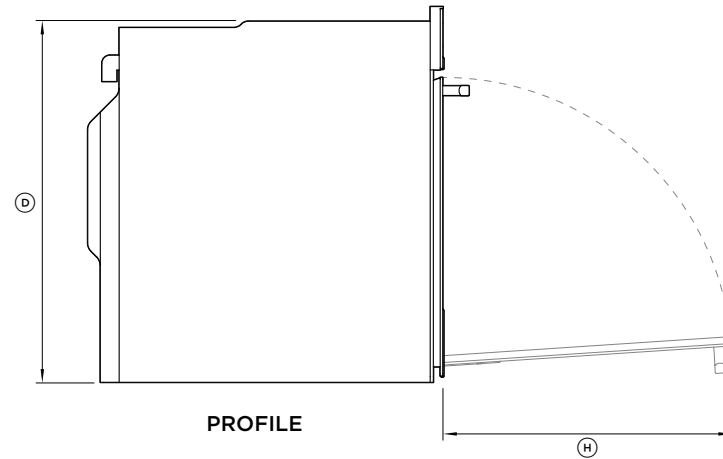
---

- the oven door can open fully without obstruction.
- the power supply cable does not touch any hot metal parts.
- the isolating switch is easily accessible to the customer with the oven installed.
- you complete the 'Final checklist' at the end of the installation.
- If, after following the instructions given, correct performance cannot be achieved, please contact your nearest Fisher & Paykel Authorised Service Centre, Customer Care, or contact us through our local website listed at the end of this document.

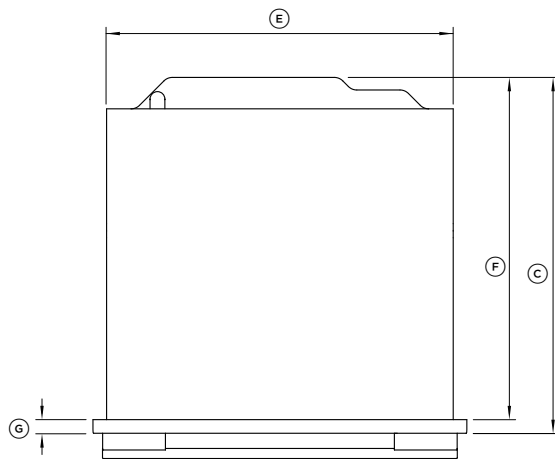
## PRODUCT DIMENSIONS



FRONT



PROFILE

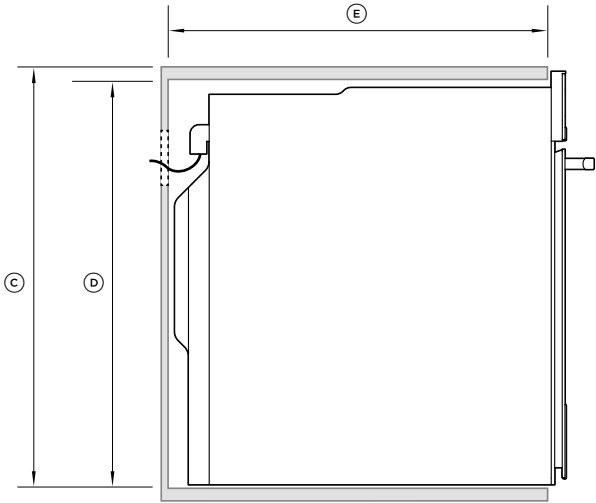


PLAN

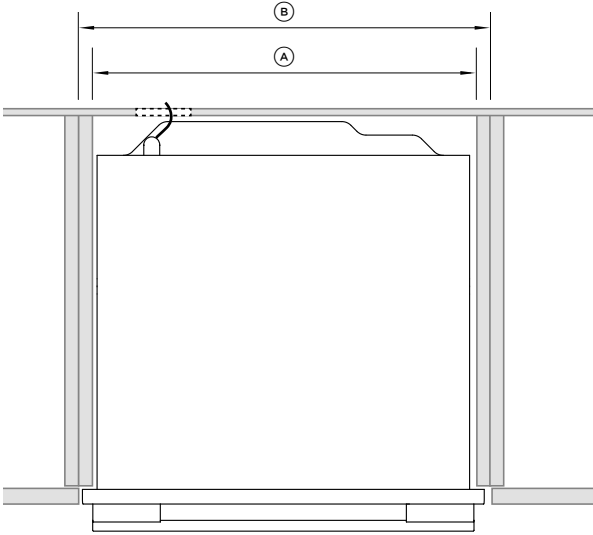
### PRODUCT DIMENSIONS

PRODUCT DIMENSIONS	OB60SDPT MODELS
	MM
Ⓐ Overall height of oven	598
Ⓑ Overall width of oven	596
Ⓒ Overall depth of oven (excluding handle and dials)	565
Ⓓ Height of chassis	575
Ⓔ Width of chassis	556
Ⓕ Depth of chassis	545
Ⓖ Depth of oven frame and control panel (distance between front of chassis and front of oven door, excl. handle and dials)	20
Ⓗ Depth of oven door when fully open (measured from front of control panel)	460

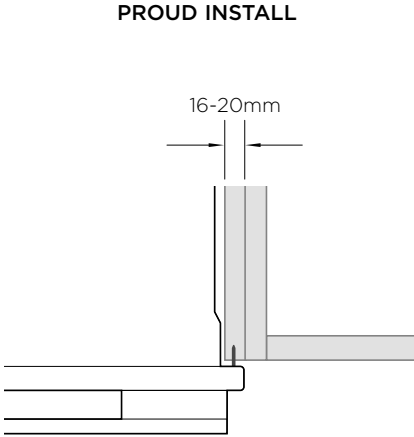
**CABINETRY DIMENSIONS**



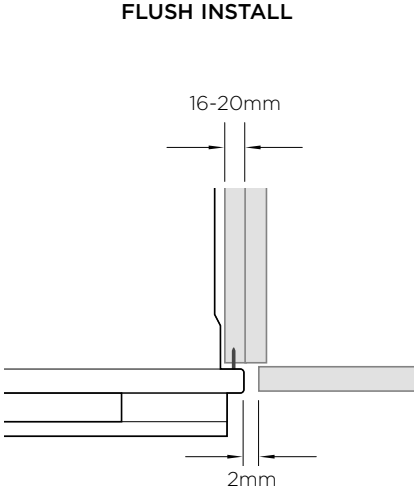
**PROFILE**



**PLAN**



**PROUD INSTALL**



**FLUSH INSTALL**

**CABINETRY DIMENSIONS**

- Ⓐ Minimum inside width of cavity
- Ⓑ Overall width of cabinetry
- Ⓒ Minimum inside height of cavity
- Ⓓ Overall height of cabinetry
- Ⓔ Minimum inside depth of cavity

**OB60SDPT MODELS**

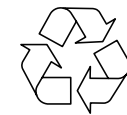
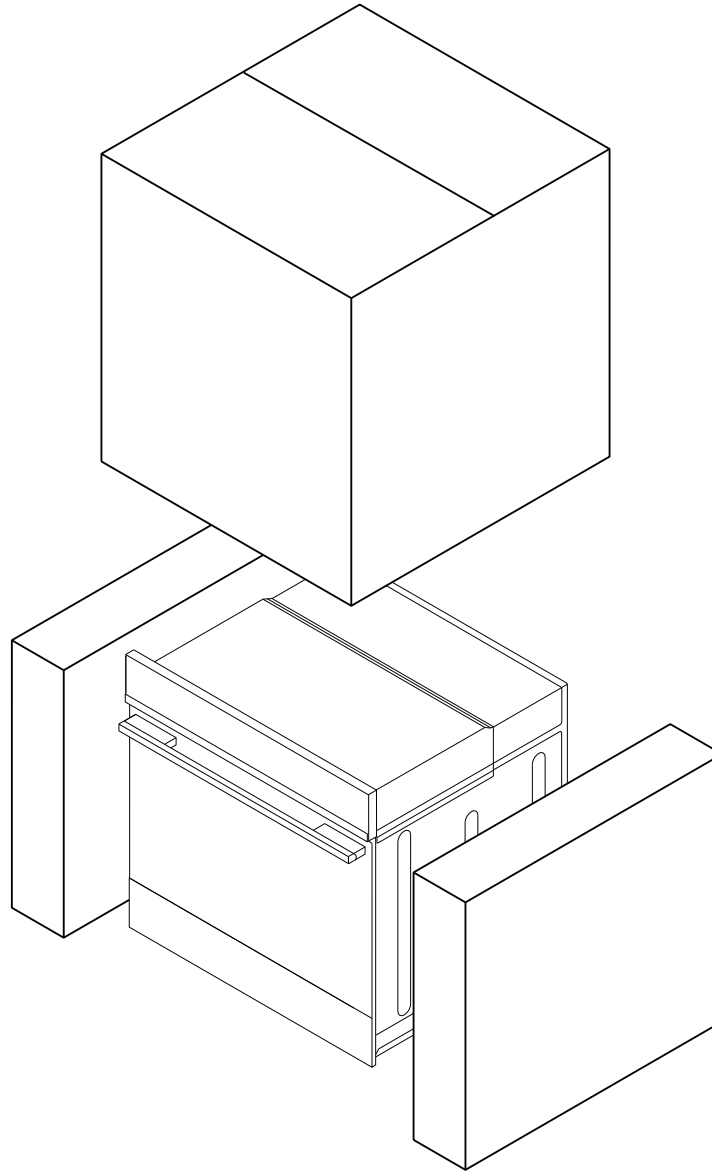
**MM**

- 560
- 600
- 580
- 600
- 550

If installing a cooktop above the oven, ensure adequate clearance is provided as per the cooktop manufacturer's instructions.

**DISCARD PACKAGING RESPONSIBLY**

---



Remove the accessories box from the top of the oven and set aside.  
Recycle responsibly

## CONNECT THE OVEN TO THE MAINS SUPPLY

### IMPORTANT!

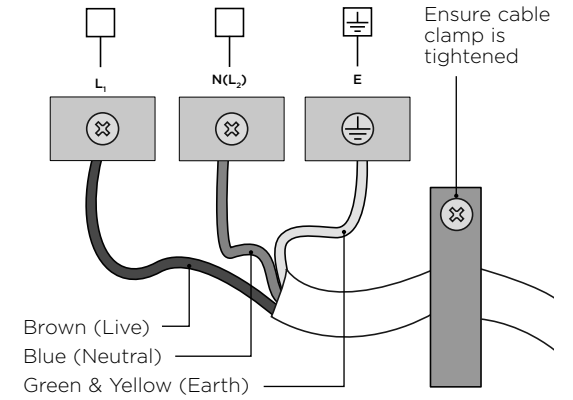
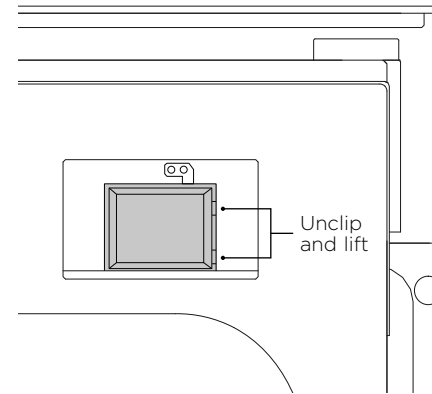
- This oven must be connected to the mains power supply only by a suitably qualified person.
- This oven must be earthed.

Before connecting the oven to the mains power supply, check that:

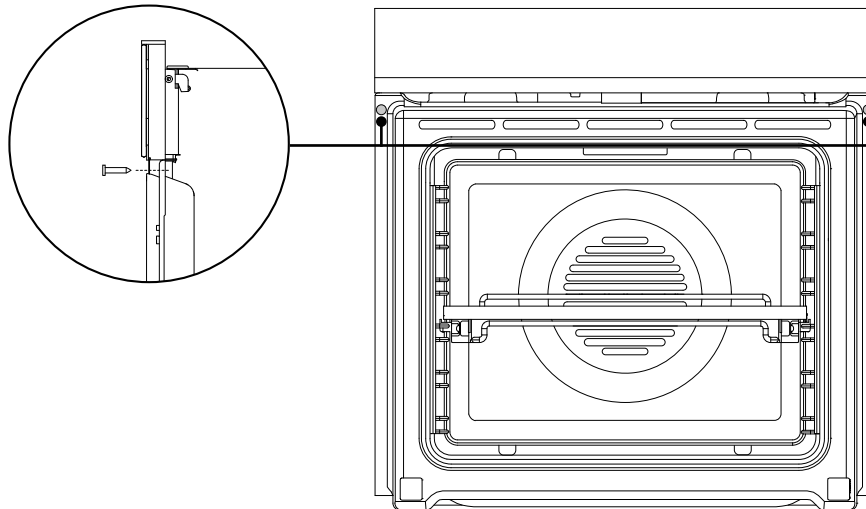
the domestic wiring system is suitable for the power drawn by the oven (as specified on the rating plate)

the voltage corresponds to the value given on the rating plate.

MODEL CODE	MAX POWER (W)	HZ	VOLTAGE (V)	AMPS (A)
OB60SDPT	2800 - 3300	50 Hz	220 - 240 V~	12.8 - 13.8



## SECURE THE OVEN TO THE CABINERY



### IMPORTANT!

- Do not lift the oven by the door handle.
- Do not over-tighten the screws.
- Do not seal the oven into the cabinetry with silicone or glue. This makes future servicing difficult. Fisher & Paykel will not cover the costs of removing the oven, or of damage caused by this removal.

- ① Position the oven in the prepared cavity.
- ② Open the oven door fully.
- ③ Mark and pre-drill the screw holes.
- ④ Use the supplied screws to secure the oven to the cabinetry.

## INSTALLER CHECKLIST

### TO BE COMPLETED BY THE INSTALLER

- Ensure the oven is level and securely fitted to the cabinetry.
- Check the lower trim is undamaged.
- Open the oven door slowly until it is fully open and check there is adequate clearance between the bottom of the door and the lower trim.  
This is to ensure correct air circulation. Should the lower trim become damaged, straighten the trim and ensure the oven door opens fully without obstruction.
- Ensure you remove all internal packaging (including the circular yellow packing retainers holding the accessory box in place).
- Ensure all oven vents and openings are clear and free of any obstruction or damage.

### **IMPORTANT!**

**Failure to make sure all oven vents are clear may result in poor product performance.**

- Ensure the isolating switch is accessible by the customer.

### TEST OPERATION:

- Turn the power to the oven on. The display should light up. Set the clock following the instructions in the 'User guide'.
- Set the oven to Bake at 50°C. The light should come on inside the oven cavity and air should blow out of the vent at the top of the oven. After five minutes, open the oven door: the air inside should feel warm. Turn the oven off.
- Have you demonstrated the basic operation to the customer?

Complete and keep for safe reference:

Model \_\_\_\_\_

Serial No. \_\_\_\_\_

Purchase Date \_\_\_\_\_

Purchaser \_\_\_\_\_

Dealer Address \_\_\_\_\_

Installer's Name \_\_\_\_\_

Installer's Signature \_\_\_\_\_

Installation Company \_\_\_\_\_

Installation Date \_\_\_\_\_









**FISHERPAYKEL.COM**

© Fisher & Paykel Appliances 2019. All rights reserved.  
The product specifications in this document apply to the specific products and models described at the date of issue. Under our policy of continuous product improvement, these specifications may change at any time. You should therefore check with your Dealer to ensure this booklet correctly describes the product currently available.

**NZ AU GB IE**

**591942A 07.19**