

Oven, 30", 10 Function, Self-cleaning

Series 7 | Professional

Stainless Steel

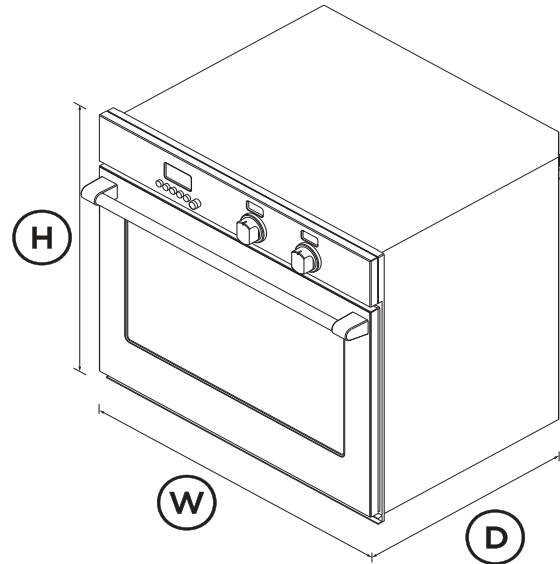


A highlight of the Fisher & Paykel range, this Series 7 oven ensures that every dish you create is cooked to perfection.

- 4.1 cu ft total capacity
- 10 oven functions including Aero™ Pastry and Roast
- High-temperature self-cleaning function breaks down food residue for an easy clean
- Non-tip, full-extension shelves for safe removal of hot dishes

DIMENSIONS

Height	27 1/8"
Width	29 3/4"
Depth	23 15/16"



SPECIFICATIONS

Accessories

Full extension sliding shelves	3 sets
Wired temperature sensor	1

Capacity

Shelf positions	8
Total capacity	4.1cu ft
Usable capacity	3.6cu ft

Cleaning

- Acid resistant graphite enamel
- Pyrolytic self-clean
- Removable oven door
- Removable shelf runners

Controls

- Automatic cooking/minute
- Automatic pre-set
- Celsius/Fahrenheit
- Delay start
- Electronic clock
- Electronic oven control
- Halogen lights
- LED display
- True convection oven
- Turned stainless steel dials

Functions

- Bake
- Broil
- Convection Broil
- Convection bake
- Convection pastry
- Maxi Broil
- Number of functions 10
- Pastry Bake
- Roast
- Self-clean
- True convection

Warm •

SKU 82947

Performance

AeroTech™ technology •
 Automatic rapid pre-heat •
 Broil power **4400W**
 Broil width **20"**

The product dimensions and specifications in this page apply to the specific product and model. Under our policy of continuous improvement, these dimensions and specifications may change at any time. You should therefore check with Fisher & Paykel's Customer Care Centre to ensure this page correctly describes the model currently available. © Fisher & Paykel Appliances Ltd 2020

Power requirements

Amperage **30A**
 Rated current **30A**
 Supply frequency **60Hz**
 Supply voltage **120 - 240V**

Product dimensions

Depth **23 15/16"**
 Height **27 1/8"**
 Width **29 3/4"**

Safety

ADA compliant •
 Control panel key lock •
 CoolTouch door •
 Non-tip shelves •
 Safety thermostat •

Warranty

Parts and labor **Limited 2 years**

Other product downloads available at fisherpaykel.com



Quick Start Guide EN



Guide de démarrage rapide FR



User Guide EN



Service & Warranty



Installation Guide EN / Guide d'installation FR



A PEACE OF MIND SALE

24 Hours 7 Days a Week Customer Support

T 1.888.936.7872 **W**www.fisherpaykel.com