

# Oven, 60cm, 11 Function, Self-cleaning

Series 9 | Minimal

Black

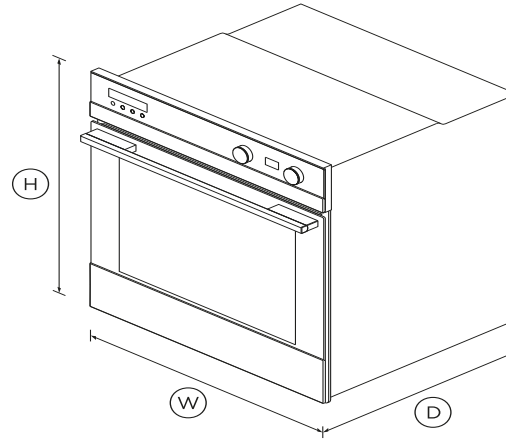


A highlight of the Fisher & Paykel collection, this Series 9 oven ensures that every dish you create is cooked to perfection.

- 85L total capacity, with 11 oven functions including Pizza Bake and Roast
- Moisture level control with ActiveVent™ technology
- Pyrolytic self-cleaning function breaks down food residue for an easy clean
- Non-tip, full-extension shelves for safe removal of hot dishes

## DIMENSIONS

|        |       |
|--------|-------|
| Height | 598mm |
| Width  | 596mm |
| Depth  | 565mm |



## FEATURES & BENEFITS

### Multi-Function Flexibility

11 functions including Roast, Pastry Bake and Fan Forced mean no matter what you're cooking, you've got the right heat to match.

### BEAUTY OF CHOICE

With the choice of stylish stainless steel or elegant black, you can choose the finish that complements your kitchen design best.

### Generous capacity

With a generous sized internal cavity, you can create several dishes at once using multiple shelves.

### Activevent Technology

With ActiveVent™ technology for optimised moisture levels and AeroTech™ for even heat distribution, you'll get perfect results even when using multiple shelves.

### Simple cleaning

Pyrolytic self-clean breaks down food residue at a very high temperature, leaving a light ash that's easily removed with a damp cloth.

### Safe and sound

The CoolTouch door features triple glazing and a cooling system that ensures it's safe to touch from the outside – protecting both your hands and the surrounding cabinetry.

## SPECIFICATIONS

### Accessories

|                                |        |
|--------------------------------|--------|
| Full extension sliding shelves | 2 sets |
| Grill rack                     | 1 set  |
| Roasting dish                  | 1      |
| Smokeless grill tray           | 1      |
| Step down wire shelf           | 1      |
| Wired temperature sensor       | 1      |

### Accessories (sold separately)

|                          |            |
|--------------------------|------------|
| Optional Accessory round | Part 81645 |
|--------------------------|------------|

### Capacity

|                 |     |
|-----------------|-----|
| Shelf positions | 6   |
| Total capacity  | 85L |
| Usable capacity | 72L |

### Cleaning

|                                |   |                          |              |
|--------------------------------|---|--------------------------|--------------|
| Acid resistant graphite enamel | • | ActiveVent™ system       | •            |
| Pyrolytic self-clean           | • | AeroTech™ technology     | •            |
| Removable oven door            | • | Automatic rapid pre-heat | •            |
| Removable oven door inner      | • | Grill power              | <b>3000W</b> |
| Removable shelf runners        | • | Whisper quiet cooking    | •            |

The product dimensions and specifications in this page apply to the specific product and model. Under our policy of continuous improvement, these dimensions and specifications may change at any time. You should therefore check with Fisher & Paykel's Customer Care Centre to ensure this page correctly describes the model currently available. ? Fisher & Paykel Appliances Ltd 2020

### Controls

|                          |   |
|--------------------------|---|
| Audio feedback           | • |
| Automatic cooking/minute | • |
| Automatic pre-set        | • |
| Celsius/Fahrenheit       | • |
| Electronic clock         | • |
| Electronic oven control  | • |
| Soft close doors         | • |

### Power requirements

|                  |                   |
|------------------|-------------------|
| Amperage         | <b>15A</b>        |
| Supply frequency | <b>50Hz</b>       |
| Supply voltage   | <b>220 - 240V</b> |

### Product dimensions

|        |              |
|--------|--------------|
| Depth  | <b>565mm</b> |
| Height | <b>598mm</b> |
| Width  | <b>596mm</b> |

### Functions

|                      |           |
|----------------------|-----------|
| Bake                 | •         |
| Classic bake         | •         |
| Fan bake             | •         |
| Fan forced           | •         |
| Fan grill            | •         |
| Grill                | •         |
| Number of functions  | <b>11</b> |
| Pastry Bake          | •         |
| Pyrolytic self-clean | •         |
| Roast                | •         |
| Vent bake            | •         |
| Warm                 | •         |

### Safety

|                          |   |
|--------------------------|---|
| Balanced oven door       | • |
| Catalytic venting system | • |
| Control panel key lock   | • |
| CoolTouch door           | • |
| Non-tip shelves          | • |

### Warranty




|                  |                |
|------------------|----------------|
| Parts and labour | <b>2 years</b> |
|------------------|----------------|

|     |              |
|-----|--------------|
| SKU | <b>82144</b> |
|-----|--------------|

### Performance

---

Other product downloads available at [fisherpaykel.com](http://fisherpaykel.com)

-  [Service & Warranty](#)
-  [User Guide Wall Oven](#)
-  [Installation Guide Built-In Oven](#)
-  [Data Sheet Oven](#)



**A PEACE OF MIND SALE**

24 Hours 7 Days a Week Customer Support

T 0800 372 273 [Wwww.fisherpaykel.com](http://www.fisherpaykel.com)