

FISHER & PAYKEL

INTEGRATED RANGEHOOD

HPB9048-2 & HPB12048-2 models

INSTALLATION GUIDE

CN

516488A 02.21

1 SAFETY AND WARNINGS

! WARNING!



Weight Hazard

The appliance is heavy. Please ensure adequate care is taken when installing the appliance to prevent personal injury.

Weight of the products are:

HPB9048-2 = 31 kg

HPB12048-2 = 35 kg

! WARNING!



Electric Shock Hazard

Always disconnect the appliance from the mains power supply before carrying out any maintenance or repairs.

Installation work and electrical wiring must be done by qualified person(s) in accordance with all applicable codes and standards, including fire-rated construction. Failure to do so can result in death, electric shock, fire or injury to persons.

IMPORTANT!

READ THE ENTIRE SET OF INSTRUCTIONS BEFORE INSTALLING OR USING THIS APPLIANCE. Refer to the user guide for more details on safety and warnings. A copy of the installation guide and user guide for this product can also be found at fisherpaykel.com.

WARNING!

This appliance must be installed and connected to the mains power supply by a suitably qualified person according to these installation instructions and in compliance with any applicable local building and electricity regulations. Failure to install the appliance correctly could invalidate any warranty or liability claims.

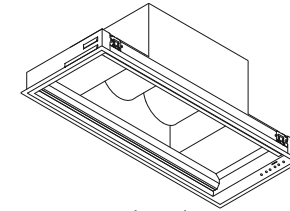
- To comply with electrical safety regulations, the appliance must be plugged into a socket near the appliance. The socket must be accessible, or have an accessible isolating switch, to enable the end user to isolate the appliance from the power for the purpose of internal cleaning or maintenance.
- Ducting accessories are not supplied. All ducting must comply with local requirements and building codes.
- Attention should be given to ensure that any applicable regulations concerning the discharge of exhaust air are fulfilled.
- Exhaust air must not be discharged into an existing flue that is used for exhausting fumes from appliances burning gas or other fuels.

2 PRODUCT INFORMATION

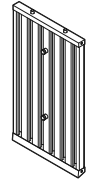
- Please read this manual carefully, and keep it after installation for future reference.
- Keep all packing materials (box and straps) until the unit has been inspected.
- Inspect the product to check there is no shipping damage. If any damage is detected contact the dealer or retailer you bought the product from to report the damage.
- Fisher & Paykel is not responsible for shipping damage.



User guide and
Installation guide

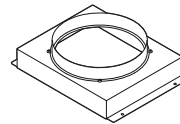


Rangehood



Filters

- HPB90 (3)
- HPB120 (4)



200mm Duct adapter including
8mm T20 drive screws (4)



Remote control

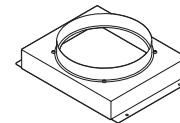


Powercord

Other required materials and tools:

- Metal ducting
- Aluminium tape (DO NOT use duct tape)
- T20 head screw driver
- Back draft damper(s) if desired

Optional accessory



250mm Duct adapter including
8mm T20 drive screws (4)

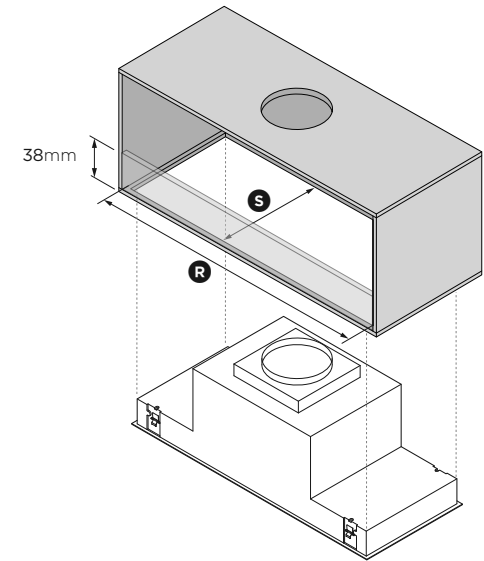
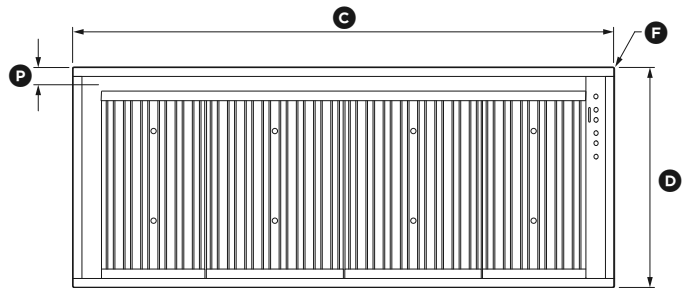
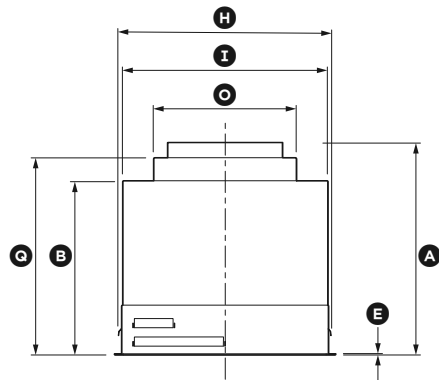
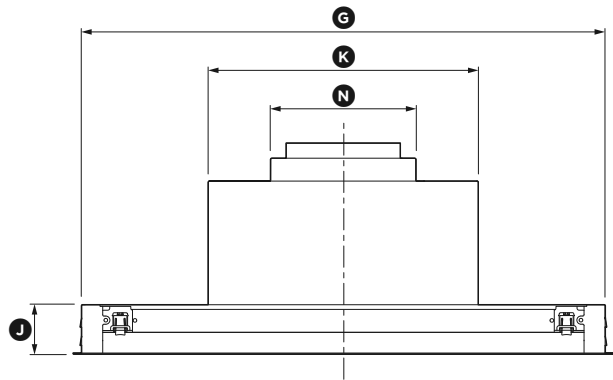
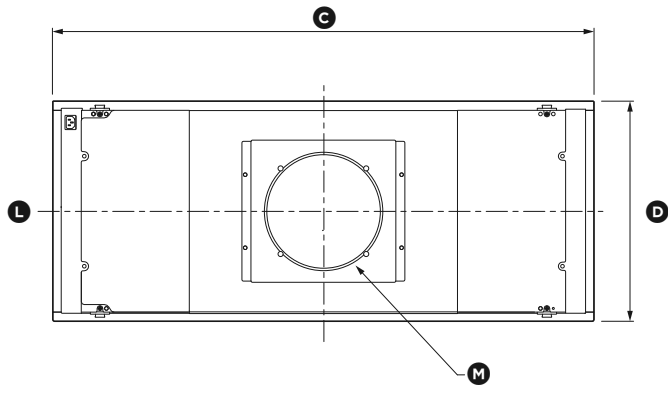
IMPORTANT!

SAVE THIS GUIDE

The models shown in this installation guide may not be available in all markets and are subject to change at any time. For current details about model and specification availability in your country, please go to our website fisherpaykel.com or contact your local Fisher & Paykel dealer.

3 PRODUCT AND CABINETRY CUT-OUT DIMENSIONS

HPB9048-2 and HPB12048-2 models



Refer to page 4 for details on 'Cabinet mounting installation'

3 PRODUCT AND CABINETY CUT-OUT DIMENSIONS

	HPB9048-2	HPB12048-2
PRODUCT DIMENSIONS	mm	mm
(A) Overall height of product	462	462
(B) Overall height of product (excluding duct adaptor)	381	381
(C) Overall width of product	880	1180
(D) Overall depth of product	480	480
(E) Thickness of flange	2.5	2.5
(F) Corner radius of flange	3.5	3.5
(G) Width of chassis including louvres	850	1150
(H) Depth of chassis including mounting feet	463	463
(I) Depth of chassis excluding mounting feet	452	452
(J) Height of side of chassis	111	111
(K) Width of blower housing	590	590
(L) Offset of duct adaptor - forward of centre	0	0
(M) Outside diameter of ducting outlet	200	200
(N) Width of duct adaptor	310	310
(O) Depth of duct adaptor	318	318
(P) Distance from centre of light to front of product	35.5	35.5
(Q) Height to top surface of duct adaptor	428	428
Powercord length	1100	1100
CABINETY CUT-OUT DIMENSIONS		
(R) Overall width of cutout	855	1155
(S) Overall depth of cutout	455	455
Thickness of cabinetry surface	Min 16 Max 38	Min 16 Max 38

Note:

For the larger models we recommend reinforcing your cabinetry. Please ensure that any reinforcing does not prevent access for servicing.

For optional recessed installation refer to product dimensions for reference.

Cabinetry cut-out dimensions must be within +/- 1mm.

IMPORTANT!

- Actual product dimensions may vary by $\pm 2\text{mm}$.
- Please read the entire instructions before installing the rangehood.

4 INSTALLATION PREPARATION

IMPORTANT

Rangehood width

- The rangehood width is recommended to be no less than the width of the cooktop.
- A wider rangehood can be used to increase the capture area if space is not restricted.
- The rangehood should ideally be centred above the cooktop for proper performance.

Installation location—ducting preparation

The rangehood is suspended under the cabinetry. The ducting can be configured for both vertical and horizontal discharge. The ducting can terminate either through the roof or wall, to vent through the wall a 90° elbow is needed.

Optional extras

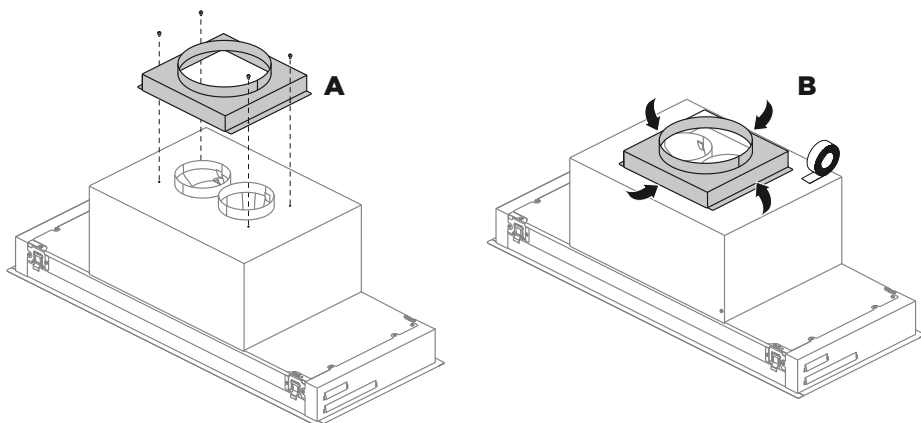
All optional extras must be installed prior to the rangehood being installed.

Duct adaptor

A 200mm round duct adaptor is supplied to mount to the top of the rangehood to provide a single outlet. This should be installed before the rangehood is mounted.

Duct adaptor assembly

- Place the duct adaptor over the rangehood exhaust and secure with four 8mm screws provided (refer to **A**).
- Seal the connection between duct adaptor and rangehood with aluminium tape (refer to **B**).



Rangehood height

INSTALLATION DIMENSIONS

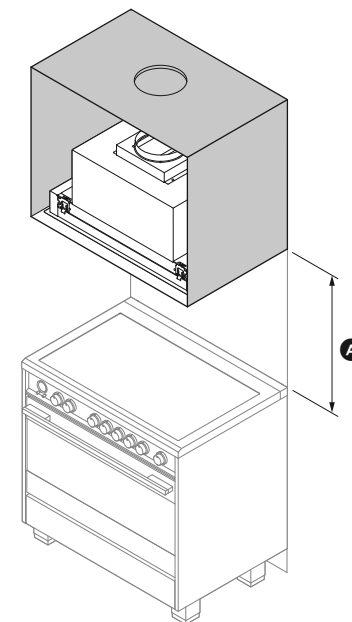
	mm
(A) Top of cooking vessel on the hob to the lowest part of the rangehood	Min 650 Max recommended 1067

The installation height ranges from a minimum height of 650mm to a maximum recommended height of 1067mm. Consult the cooktop Installation and User guide for details of the required installation height of the rangehood.

This rangehood must be installed no lower than the minimum height indicated in the table above. Minimum installation height may be greater if required by the cooktop manufacturer. Installation at the minimum height will improve the efficiency of capturing cooking odors, grease and smoke. Installation at the maximum recommended height improves user ergonomics by offering increased head room.

IMPORTANT

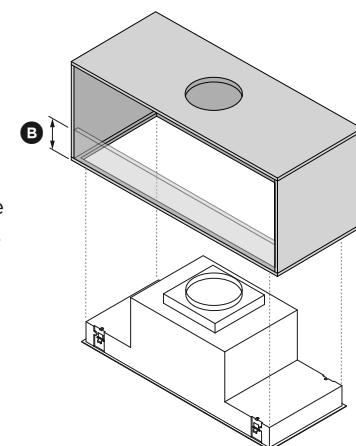
- **Always switch your rangehood on when you are cooking.**
- **Using a powerful gas cooktop or multiple gas burners operating at the same time can cause the rangehood surfaces to become hot, this effect can be reduced by:**
 - Using the maximum speed setting to enable hot air to be extracted quickly.
 - Installing the rangehood at the maximum recommended height. Consult the cooktop Installation and User guide for details on the installation height of the rangehood.



Cabinet mounting installation

Ensure you have access to the cabinetry on top of the product in order to tighten the mounting feet after installation.

- The cabinet must be of sufficient strength and structurally joined to the wall studs to support the weight of this rangehood.
- If support beams are added to cabinetry these must not be more than 38mm **B** high from the underside of the cabinet. Beams that are higher will prevent access for servicing.
- The rangehood must be installed into an opening on the underside of the cabinet.
- Cabinet opening dimensions that are shown must be used, see 'Product and cabinetry cut-out dimensions' section. Given dimensions provide minimum clearance.
- We recommend the cupboard has a door or service panel that can be easily opened to access the power connection.



Electrical requirements

WARNING!

- Electrical wiring must be done by qualified person(s) in accordance with all applicable codes and standards.
- Turn off electricity at the service panel before wiring the unit.
- A 220–240V, 50Hz AC-only electrical supply is required.
- This unit must be earthed/grounded.
- Do not place damage or place heavy items on the power cord. If it is damaged, it must only be replaced by a Fisher & Paykel trained service technician or qualified person.

Earthing/Grounding instructions:

- This appliance must be grounded. In the event of an electrical short circuit, earthing/grounding reduces the risk of electric shock by providing an escape wire for the electric current.
- This appliance is equipped with a cord that has an earthing/grounding wire with an earthing/grounding plug. The plug must be plugged into an outlet that is properly installed and earthed/grounded.
- Consult a qualified electrician if the earthing/grounding instructions are not completely understood, or if doubt exists as to whether the appliance is properly earthed/grounded.
- Do not use an extension cord. If the power supply cord is too short, have a qualified electrician install an outlet near the appliance.

WARNING!

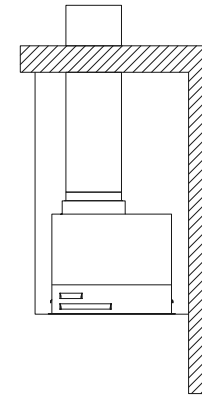
- Improper earthing/grounding can result in a risk of electric shock.

Venting requirements

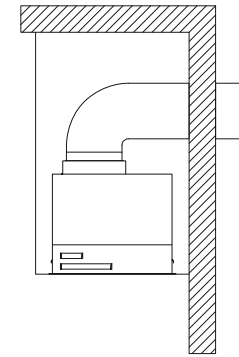
IMPORTANT!

To reduce risk of fire and to properly exhaust air, be sure to duct air outside – do not vent exhaust air into spaces within walls or ceilings or into attics, crawl spaces, or garages.

- For ducted installation it is recommended that rigid or semi-rigid ducting is used. This will require a round hole in the ceiling or wall. Care should be taken to position the hole correctly.
- Use the shortest and straightest duct route possible, for optimal efficiency. Elbows and transitions increase noise and reduce air flow efficiency.
- Flexible metal ducting should only be used as a last resort in difficult installations, if used ensure that it is straight, smooth and extended as much as possible.



Vent through roof



Vent through exterior wall

⑤ INSTALLATION INSTRUCTIONS

IMPORTANT!

Venting directly into the cabinet with no vent is not permitted.

WARNING!

- This appliance is heavy and requires two persons for unpacking and installation.
- Installation work and electrical wiring must be done by qualified person(s) in accordance with all applicable codes and standards.
- Failure to install the screws or fixing device in accordance with these instructions may result in electrical hazards
- When cutting or drilling into wall or ceiling, do not damage electrical wiring and other hidden utilities.

IMPORTANT!

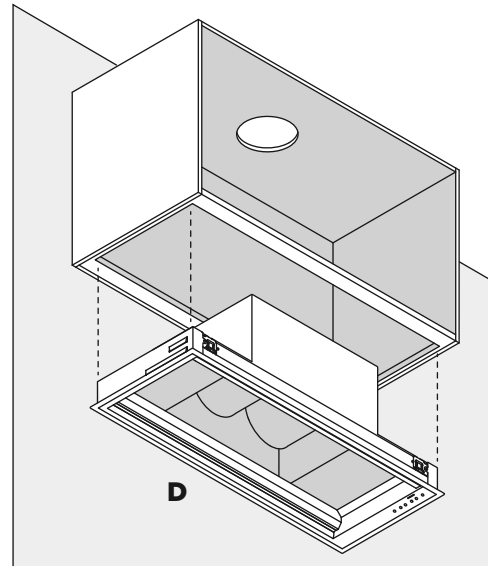
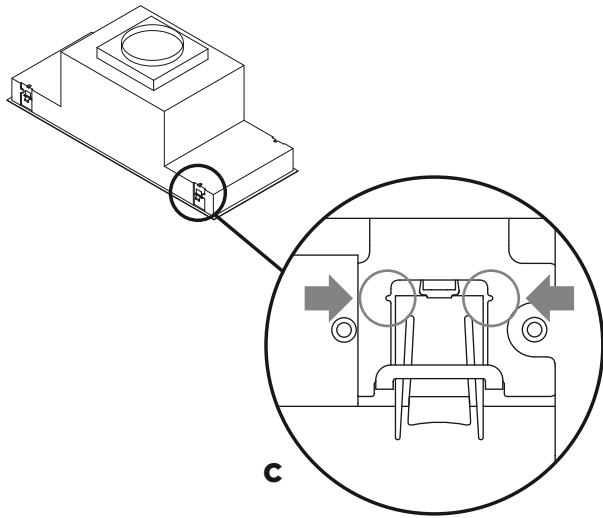
- Wear gloves to protect against sharp edges.
- The manufacturer is not liable for any damage caused by not following these instructions.
- If installation is performed by a qualified person, the product should be tested to confirm correct operation, and the correct use of the product explained to the user.

Before you start installation

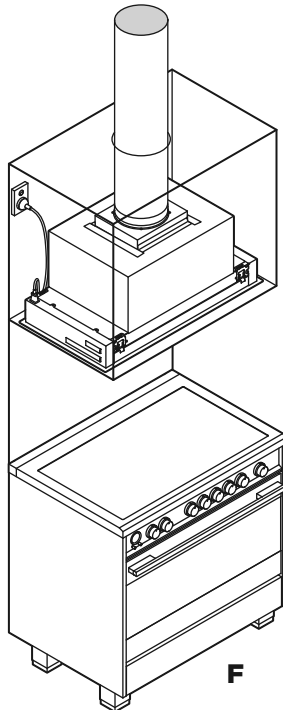
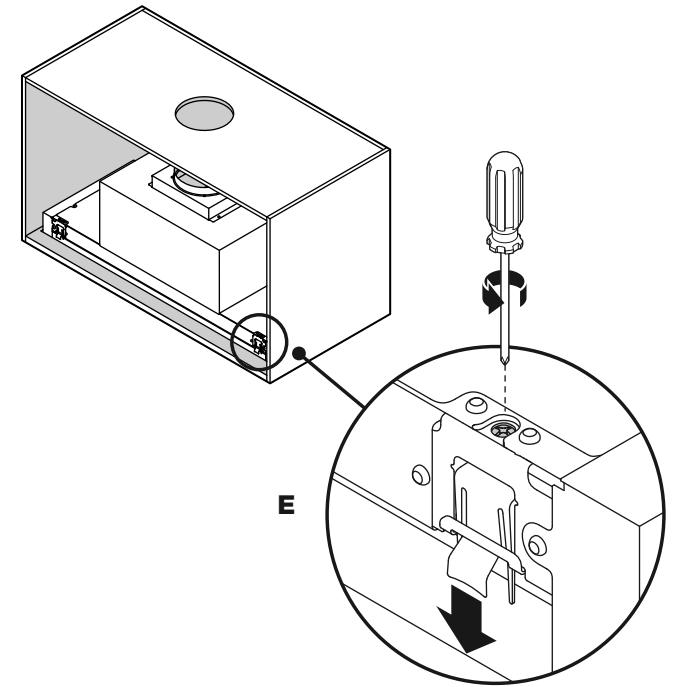
- Ensure you have read the 'Installation preparation' section of this guide.
- Unpack the rangehood.
- Ensure the voltage (V) and the frequency (Hz) indicated on the serial plate match the voltage and frequency of the installation site.
- Check all functions of the rangehood are working.
- Check that the area above and behind the installation surface is clear of any electrical cables or pipes and there is proper clearance for the ducting etc.
- The rangehood surfaces can be damaged during installation if grazed or knocked by tools. Please take care to protect the surfaces during installation.
- Remove protective wrappings that will not be accessible after installation.
- Protect the cooktop to prevent damage occurring whilst the rangehood is being installed above.
- The wall or cabinet used for mounting the rangehood should have sufficient strength and a flat surface.

- ① Ensure the cabinetry has the required cutout for insertion of the rangehood. Refer to the 'Cabinetry cutout dimensions' section of this installation book.
- ② If you are using a duct adaptor this must be installed to the rangehood prior to the rangehood being mounted. Please refer to 'Duct adaptor assembly' for details on how to install your duct adaptor.
- ③ Ensure the mounting brackets are set to the correct position for installation by checking the top of the foot lines up with the notches (refer to **C**). Note: Adjusting the mounting bracket up or down from this position prior to installation could cause the rangehood to be difficult to install and/or damage the cabinetry.
- ④ Lift the rangehood into the opening until the spring loaded mounting brackets click into place and support the weight of the rangehood (refer **D**). For larger size rangehoods this will require two people. Note: Depending on the cabinetry base panel thickness the rangehood will be protruding below the cabinetry until tightened.
- ⑤ Secure the rangehood into the cabinetry by tightening each of the mounting brackets in a counterclockwise direction (refer to **E**). Tighten each bracket in succession around the rangehood to close the gap incrementally for each bracket.
- ⑥ Plug the supplied power cord into the rangehood and wall socket (refer to **F**)
- ⑦ **Complete the installation**
 - Install the filters as described in the 'Cleaning and maintenance' section of your User guide.
 - Remove all protective wrapping from rangehood.
 - Turn the power on at control panel.
 - Check the operation of the rangehood as described in the 'Operating instructions' section of your User guide.
 - Refer to **F** for an image of a completed installation.

5 INSTALLATION INSTRUCTIONS



Note: The rangehood must be installed with the control panel on the right.



FISHERPAYKEL.COM

© Fisher & Paykel Appliances 2021. All rights reserved.

The models shown in this guide may not be available in all markets
and are subject to change at any time.

The product specifications in this guide apply to the specific products and
models described at the date of issue. Under our policy of continuous product
improvement, these specifications may change at any time.

For current details about model and specification availability in your country,
please go to our website or contact your local Fisher & Paykel dealer.

516488A 02.21