

Vented Dryer, 7kg

Series 5 | Vented

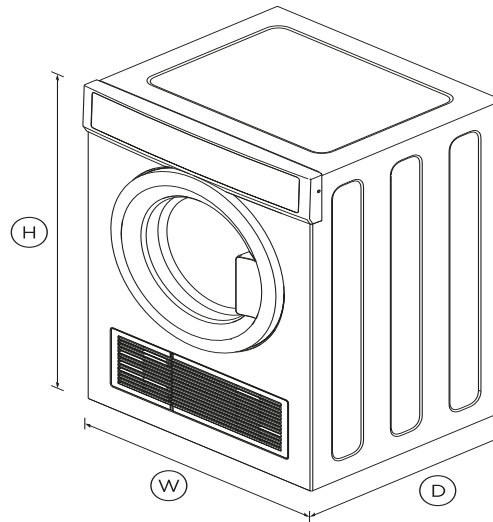
White



Dry your clothes efficiently without over drying, with multiple ways to install and vent.

DIMENSIONS

Height	830
Width	600
Depth	572



SPECIFICATIONS

Dry Cycles

- Air Dry
- Air dry/Air fluff cycle
- Everyday
- Heavy
- Wrinkle Free

Features

- Child/Keylock
- Drying rack
- Easy access lint filter
- Easy invert panel
- End of cycle signal
- Progress indicator
- Safety restart switch
- SmartTouch™ control dial
- Stainless steel drum
- Wrinkle free option

Performance

- Auto sensing
- Choice of front or rear venting
- Dryness settings 5
- Reverse tumbling
- Temperature settings 4

Product dimensions

Depth	572
Height	830
Width	600

SKU 92269

The product dimensions and specifications in this page apply to the specific product and model. Under our policy of continuous improvement, these dimensions and specifications may change at any time. You should therefore check with Fisher & Paykel's Customer Care Centre to ensure this page correctly describes the model currently available. ? Fisher & Paykel Appliances Ltd 2020

Other product downloads available at fisherpaykel.com



User Guide



Service & Warranty Booklet



Installation Guide



Installation Guide (Cavity Sizes)



A PEACE OF MIND SALE

24 Hours 7 Days a Week Customer Support

T 1300 650 590 **W**www.fisherpaykel.com