

FISHER & PAYKEL

PRELIMINARY SPECIFICATION GUIDE

WARMING DRAWERS, 60CM



OVERVIEW

Designed to complement our Contemporary style ovens, these warming drawers are handle-free, and push-to-open for a coherent, considered look. Beautiful to use, with capacitive touch controls and six tailored functions for warming, proofing, dehydrating and slow cook. Pair with other companion products to create a kitchen suite for every need.

MODELS

Warming Drawer, 60cm, Panel Ready*

Contemporary Black
WB60SDB1-SET

*This model comes with an accessory door panel, and is not suitable for use with a custom door panel

SERIES & STYLE

Series 9
Contemporary

FEATURES

- ① Styled to perfectly match our Contemporary kitchen appliances
- ② Seamless pairing with our Contemporary style ovens and other companion products
- ③ Push-to-open drawer
- ④ Easy-to-use capacitive touch controls
- ⑤ Easy-to-clean, smooth-glass base
- ⑥ Room for six standard-sized place settings
- ⑦ Automatic timing, switch-off functionality
- ⑧ Interior LED lighting
- ⑨ Versatile with six tailored programmes for warming, proofing, dehydrating and slow cook

FISHER & PAYKEL

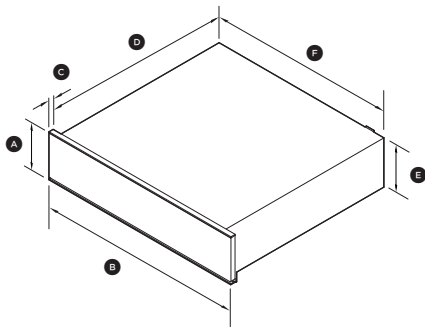
PRELIMINARY SPECIFICATION GUIDE

WARMING DRAWERS, 60CM

PRODUCT SPECIFICATIONS

Model No.	WB60SDB1-SET
Dimensions	H 140mm W 596mm D 567mm
Weight	22kg
Electrical	
Supply	220 - 240 V, 50 Hz
Service	10 A
Connection	Flex cord
Power cord length	1800mm

PRODUCT DIMENSIONS

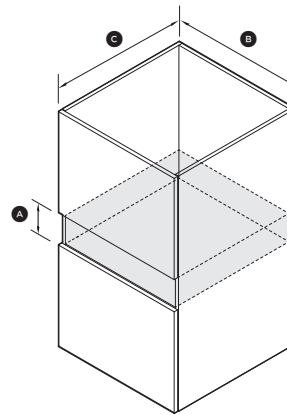


	mm
(A) Overall height	140
(B) Overall width	596
(C) Depth front panel	20
(D) Depth of chassis*	547
(E) Height of chassis	140
(F) Width of chassis*	543

* Including power plug

NOTE: The drawer can fully support 60cm Fisher & Paykel wall oven, without adding shelf in between.

CAVITY DIMENSIONS: STANDARD INSTALLATION



	mm
(A) Minimum inside height	142
(B) Minimum inside width	560
(C) Minimum inside depth	550