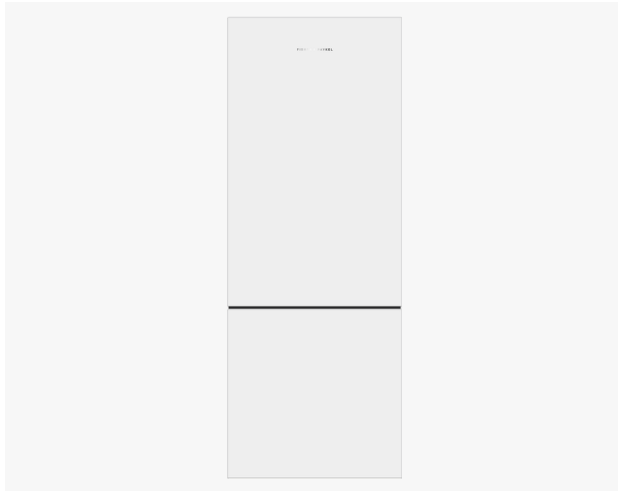


Freestanding Refrigerator Freezer, 63.5cm, 380L

Series 5 | Contemporary

White | Right Hinge

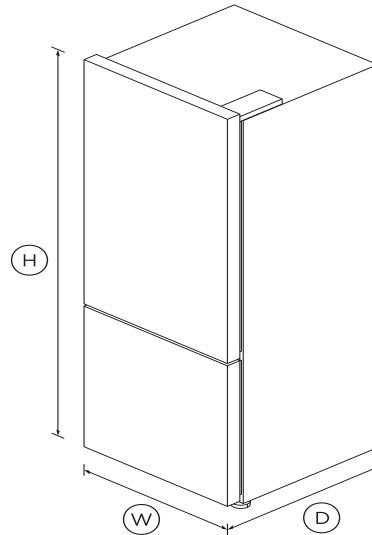


Compact and stylish in white stainless steel with concealed handles, complementing any kitchen design.

- ActiveSmart™ technology helps keep food fresher for longer by constantly maintaining the ideal temperature.
- Ultra flat door conceals handles for a streamlined look
- Spacious bottom freezer with easy-slide internal drawers to separate storage
- Choose which side you'd like your door hinge on to suit your kitchen layout

DIMENSIONS

| | |
|--------|--------|
| Height | 1720mm |
| Width | 635mm |
| Depth | 695mm |



SPECIFICATIONS

| | |
|---------------------|-------------|
| Capacity | |
| Volume | 380L |
| Volume freezer | 111L |
| Volume refrigerator | 269L |
| Consumption | |
| Energy usage | 465kWh/year |

Features

| | |
|----------------------------|---|
| Adjustable door shelves | 4 |
| Adjustable glass shelves | 3 |
| Covered door shelves | 2 |
| Door alarm | • |
| Front levelling feet | • |
| Fruit and vegetable bins | 2 |
| Full extension runners | • |
| LED lighting | • |
| Rear rollers | • |
| SmartTouch control panel | • |
| Spill proof removable bins | • |

Freezer Features

| | |
|--------------------|---|
| Door alarm | • |
| Large plastic bins | • |

Performance

| | |
|-----------------------|---|
| ActiveSmart™ Foodcare | • |
| Adaptive defrost | • |
| Frost free freezer | • |
| R600a refrigerant | • |

Product dimensions

| | |
|--------------------------|--------|
| Depth | 695mm |
| Height | 1720mm |
| Height to top of cabinet | 1698mm |
| Height to top of door | 1720mm |
| Width | 635mm |

Warranty

| | |
|--------------------------|----------------|
| Parts and labour | 2 years |
| Sealed system parts only | 5 years |

| | |
|-----|-------|
| SKU | 25033 |
|-----|-------|

The product dimensions and specifications in this page apply to the specific product and model. Under our policy of continuous improvement, these dimensions and specifications may change at any time. You should therefore check with Fisher & Paykel's Customer Care Centre to ensure this page correctly describes the model currently available. ? Fisher & Paykel Appliances Ltd 2020

Other product downloads available at fisherpaykel.com

- [↓](#) User Guide
- [↓](#) Service & Warranty
- [↓](#) Installation Guide - Quick Reference
- [↓](#) Data Sheet Freestanding Refrigerator Freezer

**A PEACE OF MIND SALE****24 Hours 7 Days a Week Customer Support****T 1300 650 590 W**www.fisherpaykel.com