

Integrated Single DishDrawer™ Dishwasher, Sanitise

Series 9 | Integrated

Panel Ready

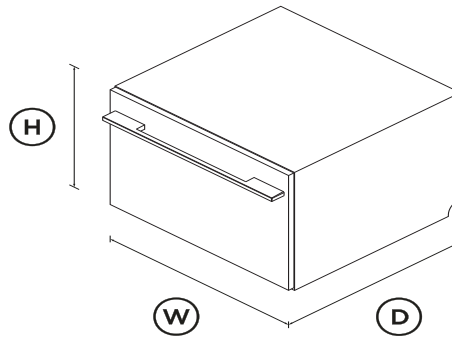


Integrating into your kitchen design seamlessly, each drawer fits a half load that you can load and wash independently.

- Knock to pause function is perfect if you miss a dish
- Six wash programs, as well as additional Quick wash, Sanitise and Extra Dry options
- Customise with your own front panel and handle to match your kitchen cabinetry

DIMENSIONS

Height	410mm
Width	599mm
Depth	553mm



FEATURES & BENEFITS

EASE OF USE

DishDrawer™ Dishwashers are as easy to open and close as kitchen drawers and can be conveniently positioned at bench height for ease of loading and minimal bending.

Quick, Sanitise And Extra Dry Options

The Quick wash modifier delivers a faster wash while maintaining performance. The Sanitise option provides extra protection, killing 99.9% of bacteria in the final rinse. The Extra Dry setting is perfect for plastic dishes.

Knock To Pause

Instead of needing a remote control, these DishDrawer™ Dishwashers have a knock to pause function. A double knock on the front panel will pause the dishwasher which can be re-started again by using the start/play button.

QUIET PERFORMER

Running at a very low decibel rate, these DishDrawer™ Dishwashers do their job without making a fuss. The combination of intelligent technology and simple mechanics means greater reliability and excellent wash performance.

SPECIFICATIONS

Accessories

- Cutlery basket
- Knife clip and multipurpose

Accessories (sold separately)

Door panel black stainless steel	ADDD60SPB
Door panel stainless steel	ADDD60SPX
Handle kit Classic	AHCL-DDD-24X
Handle kit Contemporary	AHS-OBDD-60S
Handle kit Contemporary	AHD5-OBDD-60SX
Handle kit Contemporary	AHD5-OBDD-60SB
Handle kit Contemporary	AHD3-OBDD-60S
Handle kit Contemporary	AHD3-OBDD-60B
Handle kit Professional round	AHP3-DWDD-60S

Capacity and loading

Accommodates round plates	280mm
Adjustable height, foldable	•
Fold down tines	•

Pitch adjustable tines	•
Place settings	7

Consumption

Energy rating	3.5 star
Energy usage	136kWh/year
In-use energy carbon	88.6kgCO2e/year
Water consumption (per wash)	6.9L

Controls

Electronic fault/Diagnostic	•
End of cycle beeps	•
Energy saving delay start	•
Internal wash selector	•
Keylock	•
Knock to pause	•
Rinse aid indicator light	•
Wi-Fi connectivity	•

Features

Fan assisted drying	•
Flow through detergent	•
Quiet operation	•
SmartDrive™ technology	•

Performance

Noise emissions	43dBA
-----------------	--------------

Power requirements

Amperage	5A
----------	-----------

Supply frequency	50Hz
Supply voltage	220 - 240V

Product dimensions

Depth	553mm
Height	410mm
Width	599mm

Warranty

Parts and labour	2 years
------------------	----------------

Wash Program Modifiers

Extra Dry	•
Quick	•
Sanitise	•

Wash Programs

Delicate	•
Eco	•
Fast	•
Heavy	•
Medium	•
Rinse	•

Water connection

Water pressure	30kPa - 1000 kPa
Water supply	3/4" BSP (20mm) Connector

The product dimensions and specifications in this page apply to the specific product and model. Under our policy of continuous improvement, these dimensions and specifications may change at any time. You should therefore check with Fisher & Paykel's Customer Care Centre to ensure this page correctly describes the model currently available. ? Fisher & Paykel Appliances Ltd 2020

SKU	82369
-----	-------



A PEACE OF MIND SALE

24 Hours 7 Days a Week Customer Support

T 1300 650 590 W www.fisherpaykel.com