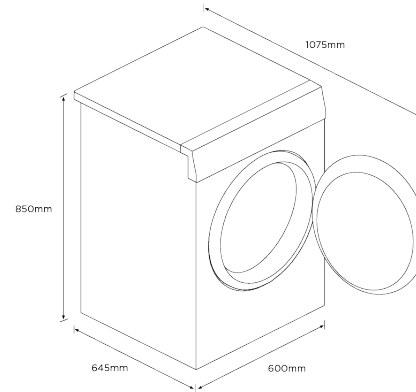


# 9kg Series 3 Front Loader Washer

<b>Height</b>	<b>850 mm</b>
<b>Width</b>	<b>600 mm</b>
<b>Depth</b>	<b>655 mm</b>



Refer to install guide for further specifications

## FEATURES & BENEFITS

### Nine Fabric Care Cycles

Featuring nine specially-developed wash cycles to care for your clothes, this machine has a cycle to suit every load type from Heavy to Delicate.

### Easy To Use

This washing machine features an intuitive control panel, where you can easily select your preferred cycle and wash boost options, which include Rinse+ and Pre Wash.

### A Smarter, Quieter Motor

SmartDrive™ Technology is a gentle, quiet, and efficient combination of smart electronics and a direct drive motor that senses the load to deliver better fabric care.

### Quick Cycles

When time is short, you can select a quick 30-minute wash without compromising cleaning and fabric care. Vortex Wash allows most cycles to take less than one hour to complete.

### Saves Water And Energy

With a 4.5 star water rating and 4 star energy rating, our 9kg washing machine handles large loads while keeping water and power usage to a minimum.

## SPECIFICATIONS

### Capacity

Capacity **9 kg**

### Consumption

Energy rating	<b>4 star</b>
Estimated Yearly Energy Usage (kWh)	<b>340kWh/year</b>
In-use energy carbon emissions estimate	<b>207.5kgCO2e/year</b>
Water consumption per cycle	<b>77L</b>
Water rating	<b>4.5 star (WELS)</b>

### Features

- Anti-fungal door gasket
- Auto out of balance correction
- Child/Keylock
- Delay start

This front loader cares for all kinds of fabrics, with a cycle for everything from delicates to bulky items.

- Nine wash cycles including Quick 30, Delicate and Heavy
- 4.5-star water and 4-star energy rating
- Vortex Wash helps deliver a 30 minute Quick cycle without compromising fabric care
- Delivers a quiet, reliable wash with its unique cushion drum design powered by SmartDrive™ technology

## DIMENSIONS

Extra Rinse	•
Flood protection	•
No Spin / Spin hold	•
Pre Wash	•
SmartTouch™ control dial	•
Stainless steel drum	•
Water supply	<b>Cold</b>
Water temperature controls	<b>5</b>

Quick 30	•
Rinse	•
Spin	•



**A PEACE OF MIND SALE**  
 24 Hours 7 Days a Week Customer Support  
 T 1300 650 590 Wwww.fisherpaykel.com

SKU 92275

The product dimensions and specifications in this page apply to the specific product and model. Under our policy of continuous improvement, these dimensions and specifications may change at any time. You should therefore check with Fisher & Paykel's Customer Care Centre to ensure this page correctly describes the model currently available. © Fisher & Paykel Appliances Ltd 2020

**Performance**

Maximum spin speed	<b>1200 rpm</b>
Number of spin speeds	<b>3</b>
SmartDrive™ technology	•
Vortex wash	•

**Other product downloads available at fisherpaykel.com**

- [↓ Energy Label](#)
- [↓ Installation Guide \(English\)](#)
- [↓ User Guide \(English\)](#)

**Product dimensions**

Depth	<b>655 mm</b>
Height	<b>850 mm</b>
Width	<b>600 mm</b>

**Where applicable:**

All appliances use energy, and energy usage typically generates carbon emissions. **Fisher & Paykel Appliances' In-use Energy Carbon Emissions Estimate** indicates carbon emissions from a product's in-use energy. This is calculated either annually or per cycle, using the product's market-specific energy label energy consumption data multiplied by the carbon emissions factor for energy in your country or region.

Our In-use Energy Carbon Emissions Estimate is designed to assist customers in making informed purchasing decisions when comparing different Fisher & Paykel products. For example, a heat pump dryer typically has a lower In-use Energy Carbon Emissions Estimate than a vented dryer.

**Wash Cycles**

Cottons	•
Delicate	•
Drum Clean	•
Easy Iron	•
Everyday	•
Heavy	•
Number of wash cycles	<b>9</b>