

Wall Range Hood, 30"

Series 9 | Professional

Stainless Steel

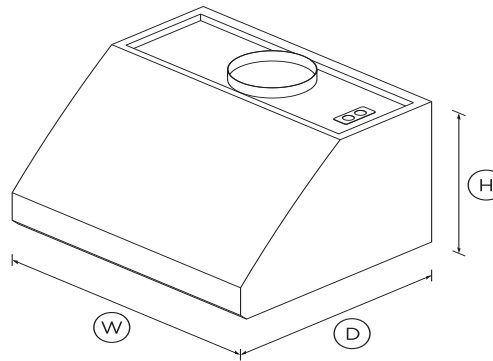


Striking design that pairs well with any appliances in our Professional range. Fast, efficient extraction of steam and odors.

- With four fan speeds, select the perfect extraction rate for your cooking
- Dishwasher-safe filters that are easy to remove and clean
- Powerful 600CFM maximum airflow

DIMENSIONS

| | |
|--------|----------|
| Height | 18" |
| Width | 29 7/8" |
| Depth | 25 1/16" |



FEATURES & BENEFITS

SIMPLE DESIGN

The new stainless steel range hood is tough and hardworking with a style and simplicity to fit seamlessly into your kitchen.

EDGE TO EDGE FILTERS

We've improved our filters to capture and extract more cooking steam, odors and grease.

PRECISE CONTROL

The Professional Range Hood has been designed to give you

better control with sturdy stainless steel dials to set your desired fan speed and light level.

EFFECTIVE EXTRACTION

Our Range Hood filters have been improved to capture more cooking steam, odors and grease. They're easy to remove and clean - simply put them in your DishDrawer™ dishwasher.

SPECIFICATIONS

Accessories

| | |
|-------------------------|---------|
| 12" Vertical duct cover | HCC3012 |
| 6" Vertical duct cover | HCC3006 |
| Light bulb | 104176P |

Installation and cleaning

| | |
|-------------------------|----------------|
| Air outlet size | 8" |
| Dishwasher safe filters | 2 |
| Ducted | Top extraction |
| Recirculation | Ducted only |

Performance

| | |
|-----------------|------------------------|
| Extraction type | Surface |
| Fan speeds | 4 |
| Filter type | Stainless Steel Baffle |

Power requirements

| | |
|----------------|------|
| Lighting power | 50W |
| Motor power | 455W |
| Supply voltage | 120V |
| Total Power | 555W |

Product dimensions

| | |
|--------|----------|
| Depth | 25 1/16" |
| Height | 18" |
| Width | 29 7/8" |

Product information

| | |
|--------------|---------------|
| Control type | Rotary switch |
|--------------|---------------|

Ventilation features

| | |
|-----------------|---------|
| Dimmable lights | • |
| Light type | Halogen |

Warranty

| | |
|------------------|---------|
| Parts and labour | 2 years |
|------------------|---------|

| | |
|-----|-------|
| SKU | 50102 |
|-----|-------|

Other product downloads available at fisherpaykel.com

- [↓](#) User Guide
- [↓](#) Guide D'Utilisation
- [↓](#) Service & Warranty
- [↓](#) Installation Guide
- [↓](#) Guide D'Installation

**A PEACE OF MIND SALE****24 Hours 7 Days a Week Customer Support****T 1.888.936.7872 W www.fisherpaykel.com**

The product dimensions and specifications in this page apply to the specific product and model. Under our policy of continuous improvement, these dimensions and specifications may change at any time. You should therefore check with Fisher & Paykel's Customer Care Centre to ensure this page correctly describes the model currently available. ? Fisher & Paykel Appliances Ltd 2020