

Insert Range Hood, 36"

Series 7 | Integrated

Stainless Steel and Glass

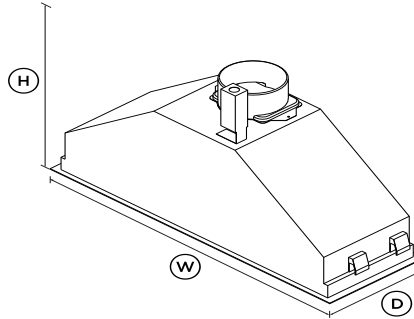


With edge-to-edge extraction, this range hood is perfectly hidden away in your cabinetry.

- With three fan speeds plus a boost function, select the perfect extraction rate for your cooking
- Perimeter extraction for efficient removal of steam and odors
- Powerful maximum air movement of 400CFM
- Wi-Fi enabled for notifications through the SmartHQ™ app

DIMENSIONS

| | |
|--------|-----------|
| Height | 12 7/16" |
| Width | 32 11/16" |
| Depth | 11" |



FEATURES & BENEFITS

Achieve the invisible

This high quality integrated range hood seamlessly blends behind cabinetry in a variety of kitchen layouts. Beautiful in its simplicity, this product has brushed finished surfaces with no visible screws.

Simple controls

The intuitive control panel responds to the touch of your finger. LED strip lighting illuminates the entire cooktop surface for the perfect sear or ideal reduction. Range hood settings, including temperature and fan speed, can be controlled via the SmartHQ™ app, with additional voice control options for fan speeds and lighting.

Easy cleaning

Designed for simple removal, the filters are easy to clean and dishwasher safe, while the glass and stainless steel finish is easily wiped clean. The SmartHQ™ app will notify you when to clean the filter to ensure you get the best performance out of your rangehood.

Quality materials

This rangehood comes in a sleek black glass finish with a real stainless steel frame.

SPECIFICATIONS

Accessories

| | |
|------------------|--------|
| Aluminium filter | 792943 |
|------------------|--------|

Accessories (sold separately)

| | |
|-----------------------------|--------|
| Recirculation carbon filter | 793602 |
|-----------------------------|--------|

Fan ratings

| | |
|----------------------------|----------|
| Maximum air movement | 400CFM |
| Maximum speed sound rating | 7.5sones |
| Speed 1 sound rating | 1sones |

Installation and cleaning

| | |
|-------------------------|---------------------------|
| Air outlet size | 6" |
| Dishwasher safe filters | 2 |
| Ducted | Top extraction |
| Recirculation | Optional - top extraction |

Performance

| | |
|-----------------|-----------|
| Extraction type | Perimeter |
|-----------------|-----------|

| | |
|-------------------|---------------------|
| Fan speeds | 3 |
| Filter type | Mesh with perimeter |
| Number of filters | 2 |

Power requirements

| | |
|------------------|------|
| Supply frequency | 60Hz |
| Supply voltage | 120V |

Product dimensions

| | |
|--------|-----------|
| Depth | 11" |
| Height | 12 7/16" |
| Width | 32 11/16" |

Product information

| | |
|--------------|------------------|
| Control type | Capacitive touch |
|--------------|------------------|

Ventilation features

| | |
|-----------------------|-----------|
| Auto-off/Run-on timer | • |
| Dimmable lights | • |
| Filter cleaning alert | • |
| Light type | LED strip |
| Timer function | • |
| Wi-Fi connectivity | • |

Warranty

| | |
|-----------------|---------|
| Parts and labor | 2 years |
|-----------------|---------|

| | |
|-----|-------|
| SKU | 50207 |
|-----|-------|

The product dimensions and specifications in this page apply to the specific product and model. Under our policy of continuous improvement, these dimensions and specifications may change at any time. You should therefore check with Fisher & Paykel's Customer Care Centre to ensure this page correctly describes the model currently available. © Fisher & Paykel Appliances Ltd 2020

Other product downloads available at fisherpaykel.com

- [↓](#) Service & Warranty
- [↓](#) Guía del usuario ES
- [↓](#) Guide d'utilisation FR
- [↓](#) User Guide Integrated Insert Rangehood EN
- [↓](#) Guide d'installation FR
- [↓](#) Guía de instalación SP
- [↓](#) Installation Guide Insert Rangehood EN
- [↓](#) Preliminary Specification Guide
- [↓](#) Data Sheet Insert Rangehood



A PEACE OF MIND SALE

24 Hours 7 Days a Week Customer Support

T 1.888.936.7872 [Wwww.fisherpaykel.com](http://www.fisherpaykel.com)