

**GAS ON GLASS MODULAR COOKTOP**

---

# PLANNING GUIDE

---

JZT-CG301DNGGB5 | JZT-CG301DNNGG5 | JZT-CG391DNGGB5 |  
JZT-CG391DNNGG5

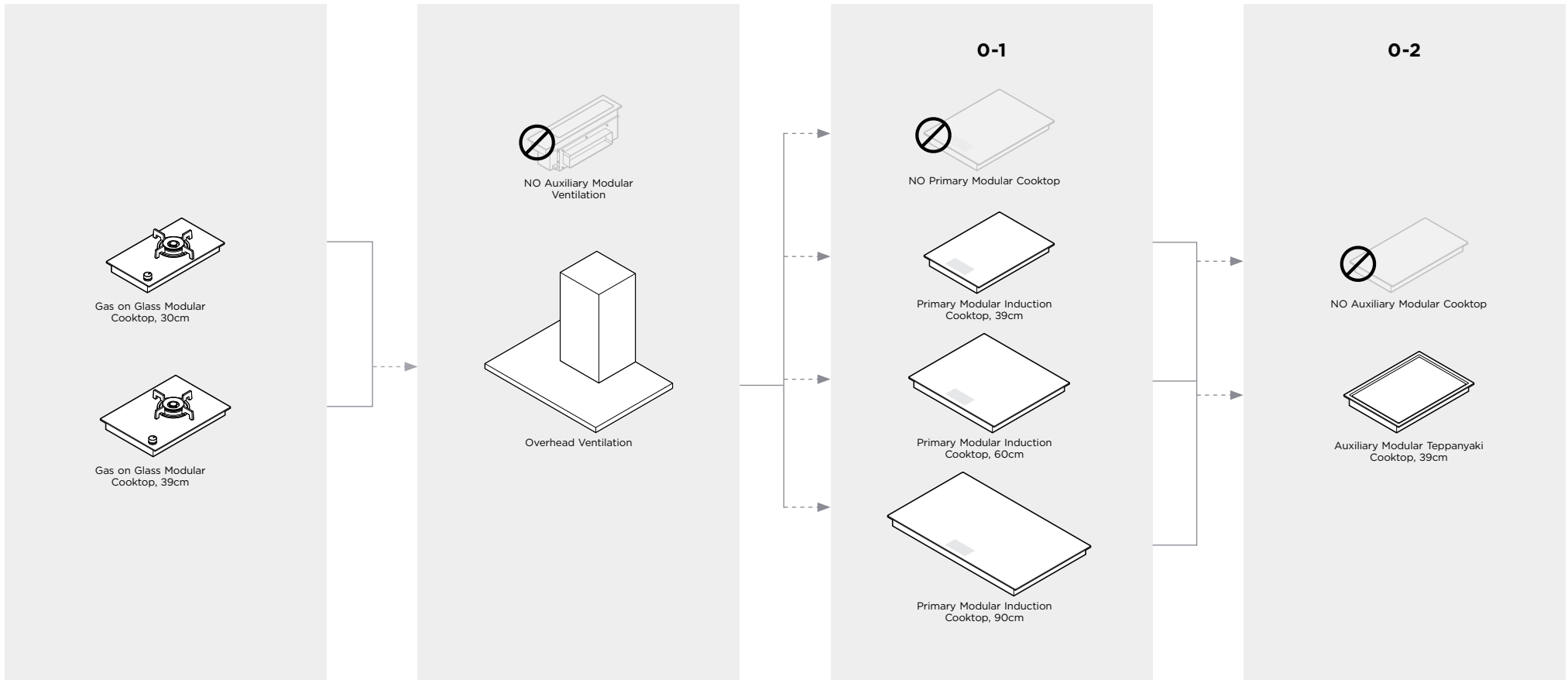
**FISHER & PAYKEL**

This comprehensive Planning Guide provides you with the framework and tools to achieve your desired design outcome with Fisher & Paykel appliances. In this guide, you will find a range of conceptual, detailed, and dimensional product information to bring your ideas to life and create spaces that truly reflect your vision.

**CONTENTS**

CONCEPT DESIGN		DEVELOPED AND DETAILED DESIGN		DEVELOPED AND DETAILED DESIGN	
	PAGE		PAGE		PAGE
<b>Design Choices</b>	<b>3</b>	Planning Guide information for Developed and Detailed Design available in <b>Q2 2024</b>			
Pairing Guide	<b>4</b>				
<b>Specification Guide</b>	<b>5</b>				
Gas on Glass Modular Cooktop, 30cm	<b>7</b>				
Gas on Glass Modular Cooktop, 39cm	<b>8</b>				

## DESIGN CHOICES



Gas on Glass cooktops can be installed as a standalone product or paired alongside other modular cooktops.

**MODELS**

	Black Glass	Grey Glass
Gas on Glass Modular Cooktop, 30cm, NG	JZT-CG301DNGGB5	JZT-CG301DNGGG5
Gas on Glass Modular Cooktop, 39cm, NG	JZT-CG391DNGGB5	JZT-CG391DNGGG5

Gas on Glass cooktops should be vented via an overhead ventilation unit. Do not use the Auxilliary downdraft ventilation module.

**RANGEHOODS**

Refer to website for options

It is optional to install a Primary Modular cooktop alongside a Gas on Glass module. Primary cooktops have a touchscreen but do not control the Gas on Glass module.

**PRIMARY MODULAR COOKTOPS**

	Black Glass	Grey Glass
Primary Modular Induction Cooktop, 39cm	CI392DTTB1	CI392DTTG1
Primary Modular Induction Cooktop, 60cm	CI604DTTB1	CI604DTTG1
Primary Modular Induction Cooktop, 90cm	CI905DTTB1	CI905DTTG1

It is optional to pair up to 2x Auxilliary cooktops with a Primary cooktop. Auxilliary units do not have an interface so must be controlled via a Primary module.

**AUXILIARY MODULAR COOKTOPS**

Auxiliary Modular Teppanyaki Cooktop, 39cm	CI392DX1
--	----------

The models shown in this Planning Guide may not be available in all markets and are subject to change at any time. Product specifications may vary from those shown. This Planning Guide should not be used as installation guidance for any product. Further information is required to safely and correctly install the products featured here. Specific installation guidance will be available soon on our website fisherpaykel.com

## SPECIFICATION GUIDE



JZT-CG301DNGGB5 - 30cm, Natural Gas, Black



JZT-CG301DNGGG5 - 30cm, Natural Gas, Grey



JZT-CG391DNGGG5 - 39cm, Natural Gas, Black



JZT-CG391DNGGG5 - 39cm, Natural Gas, Grey

## OVERVIEW

This modular gas cooktop is designed for precision and versatility, fitting flush or raised in countertops. Compatible with our series of modular cooktops, it allows for customisable configurations to suit any kitchen design. The precise dial and dual flame cater to various cooking techniques, ensuring perfect results every time.

## PRODUCTS

**JZT-CG301DNGGB5** Gas on Glass Modular Cooktop, 30cm, Natural Gas, Black

**JZT-CG301DNGGG5** Gas on Glass Modular Cooktop, 30cm, Natural Gas, Grey

**JZT-CG391DNGGB5** Gas on Glass Modular Cooktop, 39cm, Natural Gas, Black

**JZT-CG391DNGGG5** Gas on Glass Modular Cooktop, 39cm, Natural Gas, Grey

## FEATURES

- ① Modular design for flexible kitchen layouts
- ② Choose a grey or black glass finish to complement any kitchen design
- ③ Mix and match with other modular cooktops for complete design freedom
- ④ Independently controlled via a manual dial for flexible cooking options
- ⑤ Option for flush or raised installation to match your benchtop design
- ⑥ Dual flame wok burner, for specialised cooking needs
- ⑦ Flame-failure safety device; if the flame goes out, the gas turns off
- ⑧ Easy cleaning with removable cast iron trivets and wipeable ceramic glass

## ACCESSORIES

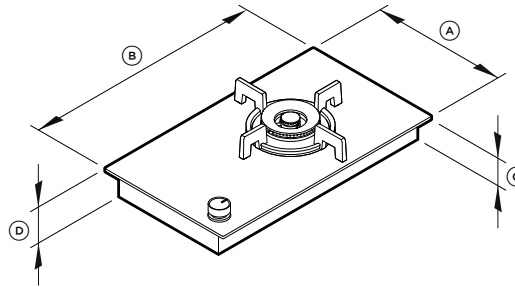
- ① Wok ring
- ② Small pot support

The models shown in this Planning Guide may not be available in all markets and are subject to change at any time. Product specifications may vary from those shown. This Planning Guide should not be used as installation guidance for any product. Further information is required to safely and correctly install the products featured here. Specific installation guidance will be available soon on our website [fisherpaykel.com](http://fisherpaykel.com)

**SPECIFICATIONS**

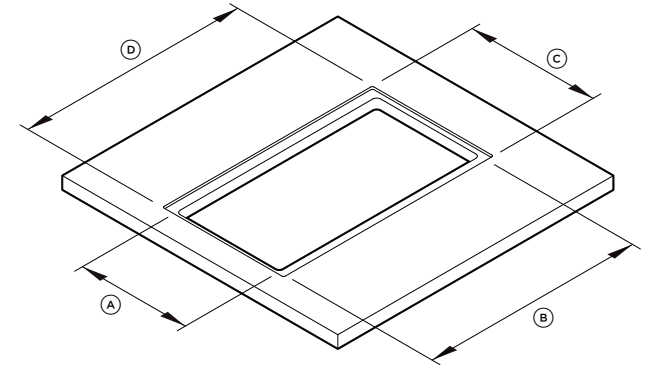
<b>Model No.</b>	JZT-CG301DNGBB5, JZT-CG301DNGGG5
<b>Product Dimensions</b>	H 126mm W 300mm D 530mm
<b>Weight</b>	7kg
<b>Electrical</b>	
Supply	220-240 V, 50 Hz
Service	10 A
Connection	Plug
<b>Gas - Natural</b>	
Supply	1/2" BSP Minimum internal diameter 10mm flex line
Inlet	1/2" BSP

**PRODUCT DIMENSIONS**



PRODUCT DIMENSIONS		mm
(A)	Overall width of cooktop	300
(B)	Overall depth of cooktop	530
(C)	Overall height of cooktop	126
(D)	Height of chassis (including terminal block)	60

**CUTOUT DIMENSIONS**



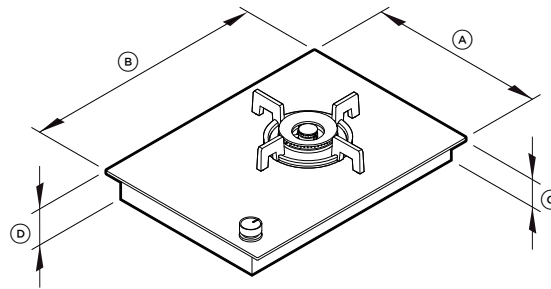
CUTOUT DIMENSIONS		mm
(A)	Cutout width	
	- flush	262
	- proud	
(B)	Cutout depth, proud	
	- flush	509
	- proud	507
(C)	Recess width	304
(D)	Recess depth	534
	Recess height (not shown)	6.5

The models shown in this Planning Guide may not be available in all markets and are subject to change at any time. Product specifications may vary from those shown. This Planning Guide should not be used as installation guidance for any product. Further information is required to safely and correctly install the products featured here. Specific installation guidance will be available soon on our website [fisherpaykel.com](http://fisherpaykel.com)

**SPECIFICATIONS**

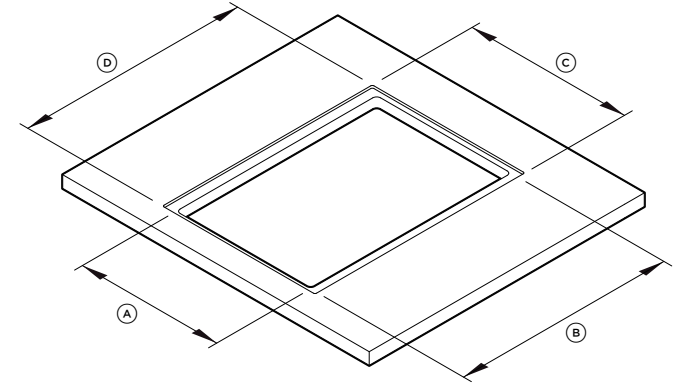
<b>Model No.</b>	JZT-CG391DNGBB5, JZT-CG391DNGGG5
<b>Product Dimensions</b>	H 126mm W 385mm D 530mm
<b>Weight</b>	8kg
<b>Electrical</b>	
Supply	220-240 V, 50 Hz
Service	10 A
Connection	Plug
<b>Gas - Natural</b>	
Supply	1/2" BSP Minimum internal diameter 10mm flex line
Inlet	1/2" BSP

**PRODUCT DIMENSIONS**



PRODUCT DIMENSIONS		mm
(A)	Overall width of cooktop	385
(B)	Overall depth of cooktop	530
(C)	Overall height of cooktop	126
(D)	Height of chassis (including terminal block)	60

**CUTOUT DIMENSIONS**



CUTOUT DIMENSIONS		mm
(A)	Cutout width - flush - proud	347
(B)	Cutout depth, proud - flush - proud	509 507
(C)	Recess width	389
(D)	Recess depth	534
	Recess height (not shown)	6.5

The models shown in this Planning Guide may not be available in all markets and are subject to change at any time. Product specifications may vary from those shown. This Planning Guide should not be used as installation guidance for any product. Further information is required to safely and correctly install the products featured here. Specific installation guidance will be available soon on our website [fisherpaykel.com](http://fisherpaykel.com)



