

Freestanding Quad Door Refrigerator Freezer, 90.5cm, 538L

Series 7 | Contemporary

Stainless Steel | French hinge

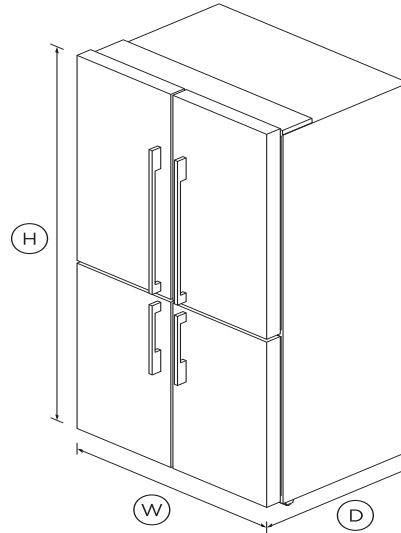


Featuring three separate compartments, including an independent Variable Temperature Zone, for unbelievably flexible storage.

- Variable Temperature Zone lets you change a compartment to Fridge, Chill, Soft Freeze or Freezer for optimal storage
- ActiveSmart™ technology helps keep food fresher for longer by constantly maintaining the ideal temperature.
- Spacious bottom freezer with easy-slide internal drawers to separate storage

DIMENSIONS

Height	1790mm
Width	905mm
Depth	688mm



FEATURES & BENEFITS

ACTIVESMART™ FOODCARE

ActiveSmart™ Foodcare learns how you live. It is the technology that understands how you use your refrigerator and adjusts the temperature, airflow and humidity inside to help keep food fresher for longer.

THOUGHTFUL DESIGN

Perfectly flat doors for a less intrusive fit in the kitchen, spill-proof glass shelving and beautiful lighting for great visibility inside.

EASY ONE-TOUCH CONTROL PANEL

Situated conveniently, the control panel for the refrigerator, freezer and Variable Temperature Zone compartments allows you to view and modify the features and options to suit any occasion.

FLEXIBLE STORAGE AND ACCESS

Large compartments, adjustable internal storage and shelving are designed for your constantly changing needs.

BRILLIANT INTERIOR LIGHTING

Bright LEDs light up each ceiling, shelf, bin and tray in both refrigerator and freezer, making it easy to find your food and create a welcoming glow in your kitchen.

DESIGN QUALITY

Our refrigerators are designed and built using quality materials. We use real stainless steel and solid glass for the interior shelving.

SPECIFICATIONS

Capacity

Volume	538L
Volume freezer	98L
Volume refrigerator	341L
Volume variable temperature	99L

Consumption

Energy rating	3.5 star
Energy usage	460kWh/year

Features

Adjustable door shelves	6
Adjustable glass shelves	4

Cantilevered glass shelves	4
Covered door shelves	2
Door alarm	•
Front levelling feet	•
Fruit and vegetable bins	2
Full extension runners	•
LED lighting	•
Rear rollers	•
SmartTouch control panel	•
Stackable bottle holders	4

Freezer Features

Bottle chill	•
Door alarm	•
Fast freeze	•
Full extension clear bins	3
Ice bin and scoop	•
LED lighting	•

Performance

ActiveSmart™ Foodcare	•
Automatic defrost	•
Frost free freezer	•
Humidity control system	•
Inverter controlled compressor	•
R600a refrigerant	•
Sabbath mode	•
Variable temperature	•
Variable temperature zones	2

Power requirements

Supply voltage	220V
----------------	------

Product dimensions

Depth	688mm
Height	1790mm
Height to top of cabinet	1775mm
Height to top of door	1790mm
Width	905mm

Warranty

Parts and labour	2 years
Sealed system parts only	5 years

SKU	26556
-----	-------

The product dimensions and specifications in this page apply to the specific product and model. Under our policy of continuous improvement, these dimensions and specifications may change at any time. You should therefore check with Fisher & Paykel's Customer Care Centre to ensure this page correctly describes the model currently available. © Fisher & Paykel Appliances Ltd 2020



A PEACE OF MIND SALE

24 Hours 7 Days a Week Customer Support

T 1300 650 590 W www.fisherpaykel.com