

# FISHER & PAYKEL

## DATA SHEET Integrated Rangehood

Model no:

**HPB3611-4, HPB3611-6**

(refer page 2 for metric measurements)

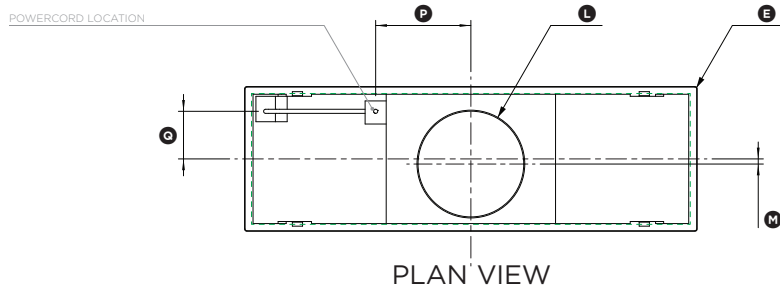
Product Dimensions	inches
Ⓐ Overall height of rangehood including duct adapter	16 1/4
Ⓑ Overall width of rangehood	34 5/8
Ⓒ Overall depth of rangehood	11
Ⓓ Thickness of flange	3/32
Ⓔ Corner radius of flange	1/8
Ⓕ Overall height of chassis excluding duct adapter	15
Ⓖ Height of chassis at side	4 1/4
Ⓗ Overall width of chassis	33 1/2
Ⓙ Width of chassis blower housing	13
Ⓚ Depth of chassis including mounting brackets	10 5/16
Ⓛ Depth of chassis excluding mounting brackets	9 15/16
Ⓜ Outside diameter of duct adapter	8 1/4
Ⓝ Offset of duct outlet forward from centre	3/8
Ⓞ Distance from front of flange to LED strip	13/16
Ⓟ Depth of LED strip	1 1/4
Ⓠ Width from centreline to powercord	7 5/16
Ⓡ Depth from centreline to powercord	3 11/16

Cutout Dimensions	inches
Width of cutout (centred to product)	33 11/16
Depth of cutout (centred to product)	10 1/16
Thickness of cabinetry surface	5/8 - 1 1/2

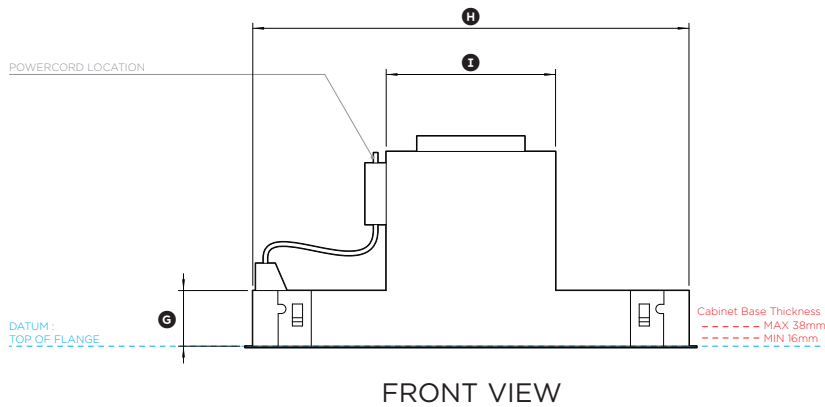
Height from base of product to cooking surface	inches
Minimum - refer to cooktop/range specifications	
Maximum recommended	42

Electrical Requirements	
Supply	120V 60Hz
Service	15 amp circuit
LED color temperature	3000K

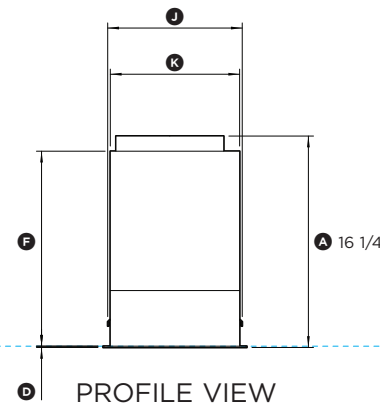
Unit Weight	41lb
-------------	------



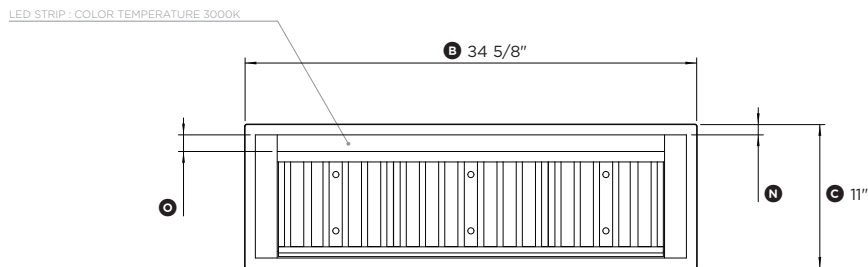
PLAN VIEW



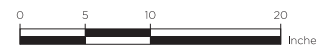
FRONT VIEW



PROFILE VIEW



BOTTOM VIEW



INDICATES PRODUCT DATUM .....  
 CUTOUT DIMENSIONS .....  
 INDICATES CABINETRY CLEARANCES .....

DATE: 18.05.2021

IMPORTANT NOTE: Throughout this guide, dimensions may vary by  $\pm 2\text{mm}$  (1/16"). Please read the installation manual for detailed information on installing the product. For full installation instructions & specifications visit [fisherpaykel.com](http://fisherpaykel.com)

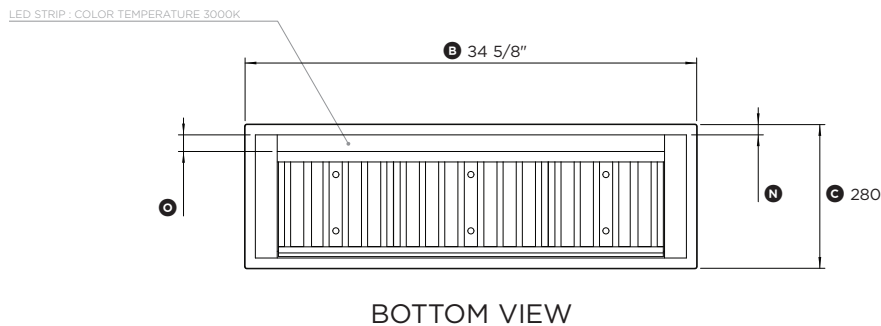
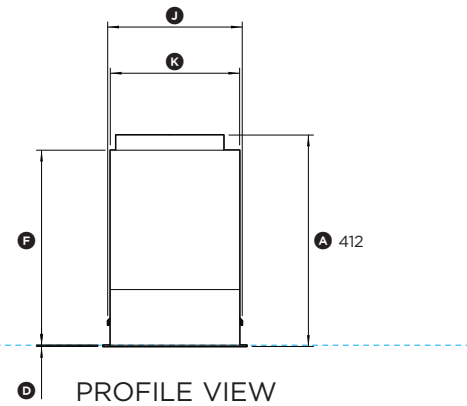
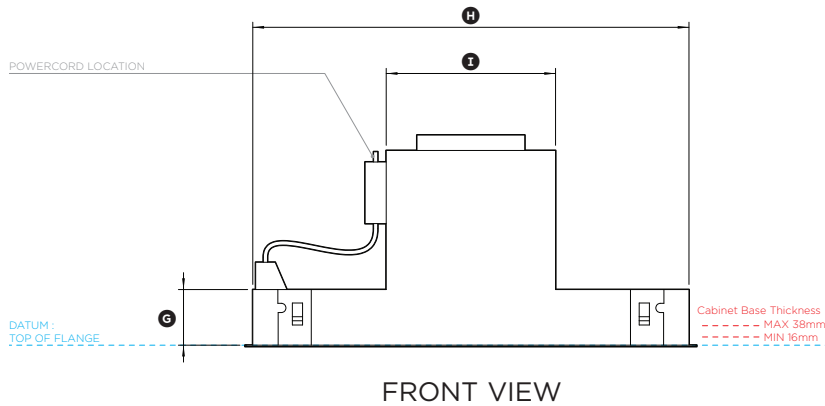
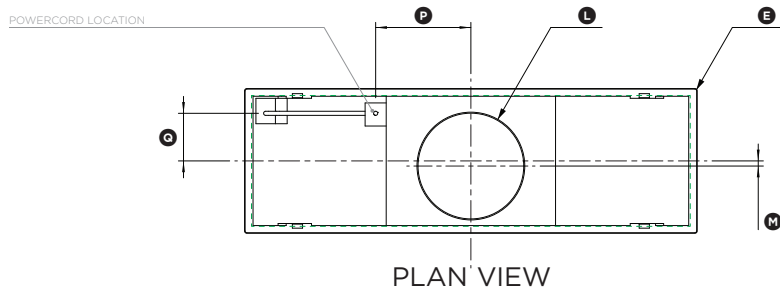
# FISHER & PAYKEL

## DATA SHEET Integrated Rangehood

Model no:

**HPB3611-4, HPB3611-6**

(refer page 1 for imperial measurements)



Product Dimensions	mm
Ⓐ Overall height of rangehood including duct adapter	412
Ⓑ Overall width of rangehood	880
Ⓒ Overall depth of rangehood	280
Ⓓ Thickness of flange	2.5
Ⓔ Corner radius of flange	3.5
Ⓕ Overall height of chassis excluding duct adapter	380
Ⓖ Height of chassis at side	108
Ⓗ Overall width of chassis	850
Ⓙ Width of chassis blower housing	330
Ⓚ Depth of chassis including mounting brackets	262
Ⓛ Depth of chassis excluding mounting brackets	252
Ⓜ Outside diameter of duct adapter	210
Ⓝ Offset of duct outlet forward from centre	10
Ⓟ Distance from front of flange to LED strip	20
Ⓠ Depth of LED strip	32
Ⓡ Width from centreline to powercord	186
Ⓢ Depth from centreline to powercord	93

Cutout Dimensions	mm
Width of cutout (centred to product)	855
Depth of cutout (centred to product)	255
Thickness of cabinetry surface	16-38

Height from base of product to cooking surface	mm
Minimum - refer to cooktop/range specifications	
Maximum recommended	1067

Electrical Requirements	
Supply	120V 60Hz
Service	15 amp circuit
LED color temperature	3000K

Unit Weight	19kg
-------------	------

INDICATES PRODUCT DATUM -----  
CUTOUT DIMENSIONS -----  
INDICATES CABINETRY CLEARANCES -----

DATE: 18.05.2021

IMPORTANT NOTE: Throughout this guide, dimensions may vary by ±2mm (1/16"). Please read the installation manual for detailed information on installing the product. For full installation instructions & specifications visit [fisherpaykel.com](http://fisherpaykel.com)