

# 60cm Series 7 Contemporary Pyrolytic Oven, 11 Function

Series 7 | Contemporary

Stainless Steel



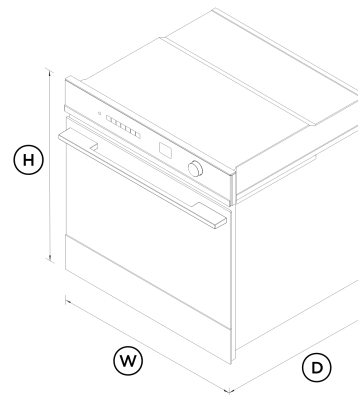
With beautiful Contemporary styling and generous capacity, this built-in oven helps to ensure that every dish you create is cooked to perfection.

- 85L total capacity with 11 oven functions including Pizza Bake, Roast, Slow Cook and Air Fry
- Moisture level control with ActiveVent technology

- Pyrolytic self-cleaning function breaks down food residue for an easy clean
- Wi-Fi enabled for remote control and notifications through the SmartHQ™ app

## DIMENSIONS

Height	598 mm
Width	596 mm
Depth	565 mm



## FEATURES & BENEFITS

### Multi-Function Flexibility

Each function has been perfected to ensure that no matter what you're cooking, you've got the right heat to match. This built-in oven has 11 functions including Pizza Bake, Roast, Slow Cook and Air Fry, allowing you to use a variety of cooking styles.

### Generous Capacity

With a generous 85L total capacity, you can create several perfectly cooked dishes at once using multiple shelves.

### Cook With Confidence

The intuitive 2.4" screen provides an intuitive guided cooking experience that helps to deliver perfect results, whether you've been cooking all your life or are just starting out. Cook by food type and allow your oven to guide you through steps, or change temperature and heat type automatically, depending on your selection.

### Exceptional performance

Our unique cooking technologies were developed to deliver perfect results. ActiveVent ensures optimised moisture levels, while AeroTech™ circulates heat evenly for a consistent temperature.

### Self-Cleaning

Pyrolytic self-clean breaks down food residue at a very high temperature, leaving a light ash that's easily removed with a damp cloth.

### Design Freedom

Designed to fit seamlessly into your kitchen, this built-in oven features premium materials and detailing to support a cohesive, considered kitchen design.

### Safe And Sound

The CoolTouch door features triple glazing and a cooling system that ensures it's safe to touch from the outside - protecting both your hands and the surrounding cabinetry.

## SPECIFICATIONS

<b>Accessories (included)</b>		Adjustable audio and display settings	•	Roast	•
Chromed shelf runners	•	Audio feedback	•	Slow cook	•
Full extension sliding shelves	1 set	Automatic cooking/minute timer	•	Vent bake	•
Grill rack	1 set	Automatic pre-set temperatures	•		
Roasting dish	1	Celsius/Fahrenheit temperature	•		
Step down wire shelf	1	Delay start	•	<b>Performance</b>	
Wire shelf	1	Electronic clock	•	ActiveVent™ system	•
		Electronic oven control	•	AeroTech™ technology	•
		Internal Light	•	Automatic rapid pre-heat	•
		Multi-language display	UK English, US English, Simplified Chinese, Français, Español	Grill power	3000 W
<b>Capacity</b>		Sabbath mode with Federation of Synagogues certification	•	Temperature range	50°C - 280°C
Shelf positions	6	Smart appliance	•	Whisper Quiet Cooking	•
Total capacity	85 L	Soft close doors	•		
Usable capacity	72 L	True convection oven	•	<b>Power requirements</b>	
		Turned stainless steel dials with illuminated halos	•	Amperage	15 A
		Wireless temperature sensor compatible	•	Supply frequency	50 Hz
				Supply voltage	220-240 V
<b>Cleaning</b>					
Acid resistant graphite enamel	•	<b>Functions</b>		<b>Product dimensions</b>	
Pyrolytic self-clean	•	Air fry	•	Depth	565 mm
Removable oven door	•	Bake	•	Height	598 mm
Removable oven door inner glass	•	Fan bake	•	Width	596 mm
Removable shelf runners	•	Fan forced	•		
		Fan grill	•		
		Grill	•		
		Number of functions	11	<b>Safety</b>	
		Pizza bake	•	Balanced oven door	•
		Pyrolytic self-clean	•	Catalytic venting system	•
				Control panel key lock	•
				CoolTouch door	•
<b>Consumption</b>					
Energy rating	A				
Energy usage	0.94kWh/cycle				
In-use energy carbon emissions estimate	0.2kgCO2e/cycle				
<b>Controls</b>					

Non-tip shelves •  
Safety thermostat •

---

SKU 82751

---

The product dimensions and specifications in this page apply to the specific product and model. Under our policy of continuous improvement, these dimensions and specifications may change at any time. You should therefore check with Fisher & Paykel's Customer Care Centre to ensure this page correctly describes the model currently available. © Fisher & Paykel Appliances Ltd 2020

All appliances use energy, and energy usage typically generates carbon emissions. **Fisher & Paykel Appliances' In-use Energy Carbon Emissions Estimate** indicates carbon emissions from a product's in-use energy. This is calculated either annually or per cycle, using the product's market-specific energy label energy consumption data multiplied by the carbon emissions factor for energy in your country or region.

Our In-use Energy Carbon Emissions Estimate is designed to assist customers in making informed purchasing decisions when comparing different Fisher & Paykel products. For example, a heat pump dryer typically has a lower In-use Energy Carbon Emissions Estimate than a vented dryer.



**A PEACE OF MIND SALE**  
**24 Hours 7 Days a Week Customer Support**  
T 08000 886 605 W [www.fisherpaykel.com](http://www.fisherpaykel.com)

#### Other product downloads available at [fisherpaykel.com](http://fisherpaykel.com)

- [↓ 2D-DWG Oven](#)
- [↓ 2D-DXF Oven](#)
- [↓ ArchiCAD Oven](#)
- [↓ Datasheet Oven](#)
- [↓ Declaration of Conformity Oven](#)
- [↓ Energy Rating](#)
- [↓ Installation Guide Wall Oven](#)
- [↓ Product Information Sheet Oven](#)
- [↓ Revit Oven](#)
- [↓ Rhino Oven](#)
- [↓ SketchUp Oven](#)
- [↓ User Guide Convection Oven](#)

Where applicable: