

# Oven, 60cm, 5 Function

Series 5 | Contemporary

Stainless Steel

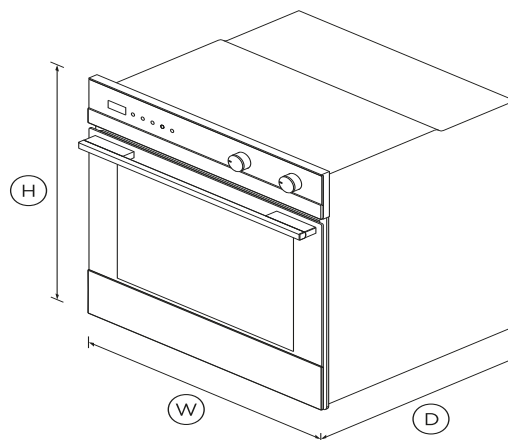


With generous capacity and beautiful contemporary styling, this built-in oven will complement your kitchen design perfectly.

- 85L total capacity
- Five oven functions including Pizza Bake

## DIMENSIONS

Height	598 mm
Width	596 mm
Depth	565 mm



## FEATURES & BENEFITS

### Multi-function Flexibility

This built-in oven has five functions including Bake, Fan Bake and Pizza Bake allowing you to use a variety of cooking styles.

### Generous Capacity

Designed for multi-shelf cooking, this built-in oven has a total capacity of 85L allowing you to create several dishes at once.

### Consistently hot

Ideal for multi-shelf cooking, this built-in oven features

AeroTech™ - a technology that circulates heat evenly.

### Fast and Easy Cleaning

Cleaning this built-in oven is quick and easy thanks to the optional catalytic liners which absorb oil and fat splashes during cooking.

### Refined styling

With sophisticated handle styling and black glass finish, our built-in ovens are designed to match the rest of Fisher & Paykel's kitchen appliance family.

### CoolTouch Door

The CoolTouch door of this built-in oven is safe to touch from the outside. Sturdy, fully extendable shelves slide all the way out, reducing the need for you to reach inside.

## SPECIFICATIONS

### Accessories

Catalytic panels	Optional (part 562816)
Chromed shelf runners	•
Flat brushed baking tray	•
Flat wire shelf	•
Full extension sliding shelves	Optional (part 565048)
Grill rack	Optional (Part 561580)
Roasting dish	•
Step down wire shelf	•
Telescopic sliding runners	1 set

### Capacity

Shelf positions	6
Total capacity	85L
Usable capacity	72L

**Cleaning**

- Acid resistant graphite enamel
- Removable oven door
- Removable oven door inner
- Removable shelf runners

**Controls**

- Automatic cooking/minute
- Behind glass capacitive touch
- Electronic clock
- Interior light **25W (halogen)**

**Functions**

- Bake
- Fan bake
- Fan grill
- Grill
- Number of functions **5**
- Pizza bake

**Performance**

- AeroTech™ technology
- Grill power **3000W**
- Whisper quiet cooking

**Power requirements**

- Amperage **12.3 - 13.3A**
- Supply frequency **50Hz**
- Supply voltage **220 - 240**

**Product dimensions**

- Depth **565 mm**
- Height **598 mm**
- Width **596 mm**

**Safety**

- Advanced cooling system
- Balanced oven door
- CoolTouch door
- Non-tip shelves

**Warranty**

- Parts and labour **2 years**

SKU **81748**

TEST The product dimensions and specifications in this page apply to the specific product and model. Under our policy of continuous improvement, these dimensions and specifications may change at any time. You should therefore check with Fisher & Paykel's Customer Care Centre to ensure this page correctly describes the model currently available. © Fisher & Paykel Appliances Ltd 2020

**Other product downloads available at fisherpaykel.com**

- [↓](#) User Guide
- [↓](#) Service & Warranty Booklet
- [↓](#) Installation Guide
- [↓](#) Resources (zip)

**A PEACE OF MIND SALE**

**24 Hours 7 Days a Week Customer Support**

**T** +65 6741 0777 **W** www.fisherpaykel.com