

# Integrated Single DishDrawer™ Dishwasher, Tall, Sanitize

Series 9 | Integrated

Panel Ready

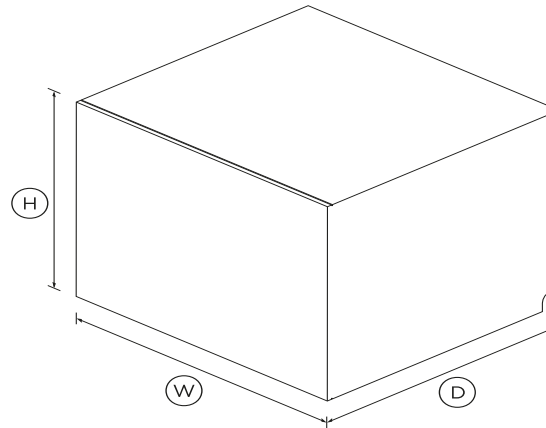


Designed to fit your full-sized dinner plates, this DishDrawer™ can be placed anywhere in your kitchen, integrating seamlessly.

- Knock to pause function is perfect if you miss a dish
- Six wash programs, as well as additional Quick wash, Sanitize and Extra Dry options
- Built-in water softener improves wash performance by reducing unwanted minerals in the water
- Customize with your own kitchen cabinetry or purchase our stainless steel door panel accessory

## DIMENSIONS

Height	17 7/8"
Width	23 9/16"
Depth	21 3/4"



## SPECIFICATIONS

### Accessories

- Cutlery basket
- Knife clip and multipurpose

### Accessories (sold separately)

Door panel stainless steel	ADDD24STPX
Handle kit Classic	AHCL-DDDW-24X
Handle kit Contemporary	AHS-OBDD-60S

Handle kit Contemporary	AHD5-OBDD-60SX
Handle kit Contemporary	AHD5-OBDD-60SB
Handle kit Contemporary	AHD3-OBDD-60S
Handle kit Professional round	AHP3-DWDD-SX
Handle kit Professional round	AHP3DDDW24BA
Handle kit Professional round	AHP3DDDW24DC

### Capacity and loading

Accommodates round plates	12.25"
Adjustable height, foldable	•
Fold down tines	•
Pitch adjustable tines	•
Place settings	7

### Consumption

Energy usage	152kWh/year
In-use energy carbon	18.7kgCO2e/year
Water usage (per wash cycle)	1.79 gal

### Controls

- Electronic fault/Diagnostic
- End of cycle beeps
- Energy saving delay start
- Internal wash selector
- Keylock
- Knock to pause
- Rinse aid indicator light
- Wi-Fi connectivity

**Features**

Built-in water softener	•
Fan assisted drying	•
Flow through detergent	•
Motor type	<b>BLDC</b>
Quiet operation	•
SmartDrive™ technology	•

**Performance**

Noise emissions	<b>43dBA</b>
-----------------	--------------

**Power requirements**

Amperage	<b>5A</b>
Electric circuit	<b>3 wire</b>
Rated current	<b>15A</b>
Supply frequency	<b>60Hz</b>
Supply voltage	<b>100 - 120V</b>

**Product dimensions**

Depth	<b>21 3/4"</b>
Height	<b>17 7/8"</b>
Width	<b>23 9/16"</b>

**Warranty**

Parts and labour	<b>Limited 2 years</b>
------------------	------------------------

**Wash Program Modifiers**

Extra Dry	•
Quick	•
Sanitize	•

Wash modifiers	<b>3</b>
----------------	----------

**Wash Programs**

Delicate	•
Eco	•
Fast	•
Heavy	•
Medium	•
Rinse	•
Wash programs	<b>6</b>

**Water connection**

Supplied hose to suit 3/8"	•
Water pressure	<b>100kPa - 1000kPa</b>
Water supply	<b>3/8" to suit Male Compression</b>

SKU	<b>82340</b>
-----	--------------

The product dimensions and specifications in this page apply to the specific product and model. Under our policy of continuous improvement, these dimensions and specifications may change at any time. You should therefore check with Fisher & Paykel's Customer Care Centre to ensure this page correctly describes the model currently available. © Fisher & Paykel Appliances Ltd 2020

**Other product downloads available at fisherpaykel.com**

- [!\[\]\(269ecda55a64d643f7a554661696c989\_img.jpg\) Quick Start Guide](#)
- [!\[\]\(457b16d52067f602a9b1f53ec424662a\_img.jpg\) Guide De Démarrage Rapide FR](#)
- [!\[\]\(c4b6c0dcf75b2a0ab0783a477d20536b\_img.jpg\) Service & Warranty](#)
- [!\[\]\(aec63bb4472517b6283acf82dacafc31\_img.jpg\) Energy Label Integrated Single DishDrawer™ Dishwasher](#)
- [!\[\]\(c38c105b6880109e2c00a69d04b3ca30\_img.jpg\) User Guide DishDrawer™ Dishwasher EN](#)
- [!\[\]\(eb23b490e41495dd1150b6c5a2c89ba2\_img.jpg\) Installation Guide DishDrawer™ Dishwasher Venting Kit EN](#)
- [!\[\]\(ca896de1ec5f5d56a008cfc440fe648f\_img.jpg\) Installation Guide Single Dish Drawer EN](#)
- [!\[\]\(c759bced09604ffead66b35af4a2d0e7\_img.jpg\) Data Sheet Integrated Single DishDrawer™ Dishwasher](#)
- [!\[\]\(37d05de2bbecc689f93b548fbd22ce12\_img.jpg\) Planning Guide Professional Style Dial/Handle Accessories](#)
- [!\[\]\(986d9e9d812b00eb98fd7a4a768eb24a\_img.jpg\) Planning Guide Integrated Single DishDrawer™](#)



**A PEACE OF MIND SALE**

**24 Hours 7 Days a Week Customer Support**

**T 1.888.936.7872 W www.fisherpaykel.com**