

60cm Series 11 Contemporary Combi-Steam Oven

Contemporary



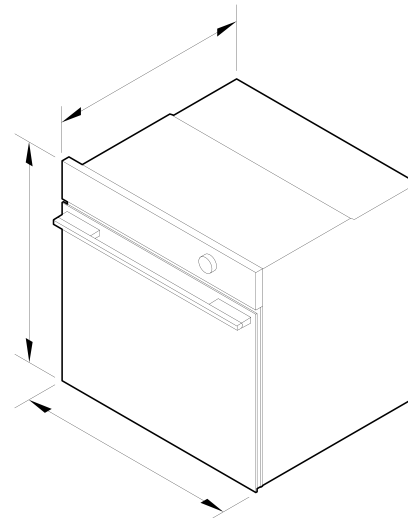
This Contemporary style oven has 23 functions with additional oven accessories, to effortlessly create healthy and delicious dishes.

- With steam-only cooking functions, convection-only, or a combination of both
- 23 oven functions including Steam, Sous Vide, Air Fry and Vent Bake
- Designed to match companion products such as Vacuum Seal Drawers

- Intuitive touchscreen provides cooking guidance for perfect results across a wide range of foods

DIMENSIONS

| | |
|--------|--------|
| Height | 598 mm |
| Width | 596 mm |
| Depth | 565 mm |



FEATURES & BENEFITS

From Steam To Sous Vide

Fine amounts of steam are released with accuracy and precision at a range of temperatures to ensure food is cooked gently and evenly. Perfect for entertaining, you can sous vide proteins such as steak and salmon before guests arrive, and simply sear when ready to serve. The flexibility of timing and accuracy of temperature control ensure perfect, predictable results every time.

Gentle And Healthy

Steam functions allow you to cook food in its own juices to retain nutrients, moisture and flavour. With five steam-only cooking functions including Sous Vide, plus four combi-steam functions, this oven lets you enjoy the benefits of flavourful and healthy restaurant-quality meals at home.

Multi-Function Flexibility

A true multi-function oven, where the advantages of steam and convection cooking can be explored in full. You have the freedom to choose - whether it's dry heat, moist heat, or a combination of the two, each cooking method creates a unique result. Purchase our Wireless Temperature Sensor accessory and precisely monitor cooking in real time (accessory sold separately).

Safe And Sound

The CoolTouch door of this built-in oven is safe to touch from the outside. Sturdy, fully extendable shelves slide all the way out, reducing the need for you to reach inside.

Reheat And Restore

Reduce household food waste by reheating foods with steam, which helps to regenerate moisture levels and ensure meals come out fresh and delicious. Use Steam Regenerate to reheat leftover meals such as roasts and risotto, while Crisp Regenerate is perfect for refreshing pastries, breads and pizza.

Complementary Design

Every detail has been carefully crafted from the finest materials to support a considered kitchen design. This Contemporary style oven has a stylish black finish with stainless steel contrasts, designed to help you achieve a kitchen aesthetic that suits your design style. Pair with a Vacuum Seal Drawer for the ultimate kitchen solution.

Exceptional Convection Performance

AeroTech™ circulates heat evenly for a consistent temperature throughout the cavity, while ActiveVent technology ensures optimised moisture levels when using convection functions. Achieve perfect results even when you're using multiple shelves.

SPECIFICATIONS

Accessories (included)

| | |
|--------------------------------|-------------------------------|
| Chromed shelf runners | • |
| Descale solution | 2 sachets, Part 580925 |
| Full extension sliding shelves | 2 sets |
| Grill rack | 1 set |
| Large steam dish | 1 |
| Perforated large steam dish | 1 |
| Perforated small steam dish | 1 |
| Roasting dish | 1 |
| Smokeless grill tray | 1 |
| Step down wire shelf | 1 |
| Wired temperature sensor | 1 |

Capacity

| | |
|-----------------|-------------|
| Shelf positions | 6 |
| Total capacity | 85 L |

| | |
|---------------------|-------------|
| Usable capacity | 72 L |
| Water tank capacity | 1.5L |

Cleaning

| | |
|---------------------------------|---|
| Acid resistant graphite enamel | • |
| Descale cycle | • |
| Drying cycle | • |
| Removable oven door | • |
| Removable oven door inner glass | • |
| Removable side ladders | • |
| Removable water tank | • |
| Steam clean (oven) | • |

Controls

| | |
|---|-------------------|
| Adjustable audio and display settings | • |
| Audio feedback | • |
| Automatic cooking/minute timer | • |
| Automatic pre-set temperatures | • |
| Celsius/Fahrenheit temperature | • |
| Certified Sabbath mode | • |
| Delay start | • |
| Electronic oven control | • |
| Guided cooking by food type and recipes | • |
| Halogen lights | • |
| Intuitive touchscreen display | • |
| Multi-language display | UK English |
| Smart appliance | • |
| Soft close doors | • |
| Temperature sensor | • |

| | |
|---|---|
| Turned stainless steel dials with illuminated halos | • |
|---|---|

Functions

| | |
|---------------------------|-----------|
| Air fry | • |
| Bake | • |
| Classic bake | • |
| Crisp regenerate | • |
| Fan bake | • |
| Fan forced | • |
| Fan forced + High steam | • |
| Fan forced + Low steam | • |
| Fan forced + Medium steam | • |
| Fan grill | • |
| Grill | • |
| Number of functions | 23 |
| Pastry Bake | • |
| Pizza bake | • |
| Roast | • |
| Slow cook | • |
| Sous vide | • |
| Steam | • |
| Steam clean (oven) | • |
| Steam defrost | • |
| Steam proof | • |
| Steam regenerate | • |
| Vent bake | • |
| Warm | • |

Performance

| | |
|--------------------------|---------------------|
| ActiveVent™ system | • |
| AeroTech™ technology | • |
| Automatic rapid pre-heat | • |
| Grill power | 3000 W |
| SteamTechnology | • |
| Temperature range | 35°C – 230°C |
| Whisper quiet cooking | • |

The product dimensions and specifications in this page apply to the specific product and model. Under our policy of continuous improvement, these dimensions and specifications may change at any time. You should therefore check with Fisher & Paykel's Customer Care Centre to ensure this page correctly describes the model currently available. © Fisher & Paykel Appliances Ltd 2020



A PEACE OF MIND SALE
24 Hours 7 Days a Week Customer Support
 T 0800 372 273 W www.fisherpaykel.com

Other product downloads available at fisherpaykel.com

- [↓](#) DWG
- [↓](#) DXF
- [↓](#) Archicad
- [↓](#) Installation Guide (English)
- [↓](#) Planning Guide - 60cm Contemporary Stainless Steel (English)
- [↓](#) Revit
- [↓](#) Rhino
- [↓](#) SketchUp
- [↓](#) User Guide (English)

Where applicable:

All appliances use energy, and energy usage typically generates carbon emissions. **Fisher & Paykel Appliances' In-use Energy Carbon Emissions Estimate** indicates carbon emissions from a product's in-use energy. This is calculated either annually or per cycle, using the product's market-specific energy label energy consumption data multiplied by the carbon emissions factor for energy in your country or region.

Our In-use Energy Carbon Emissions Estimate is designed to assist customers in making informed purchasing decisions when comparing different Fisher & Paykel products. For example, a heat pump dryer typically has a lower In-use Energy Carbon Emissions Estimate than a vented dryer.

Power requirements

| | |
|------------------|--------------------|
| Amperage | 15 A |
| Supply frequency | 50 Hz |
| Supply voltage | 220 - 240 V |

Product dimensions

| | |
|--------|---------------|
| Depth | 565 mm |
| Height | 598 mm |
| Width | 596 mm |

Safety

| | |
|--------------------------|---|
| Balanced oven door | • |
| Catalytic venting system | • |
| Control panel key lock | • |
| CoolTouch door | • |
| Non-tip shelves | • |
| Safety thermostat | • |

| | |
|-----|-------|
| SKU | 84941 |
|-----|-------|