

# FISHER & PAYKEL

## DATA SHEET 76cm Convection Speed Oven

Model no:  
**OM76NPX1**

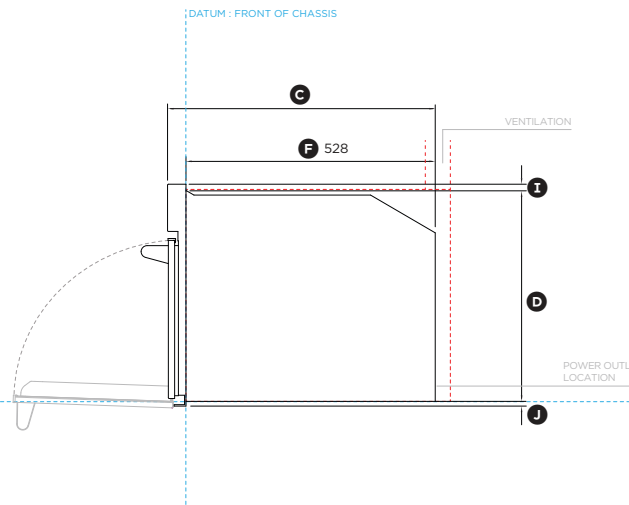
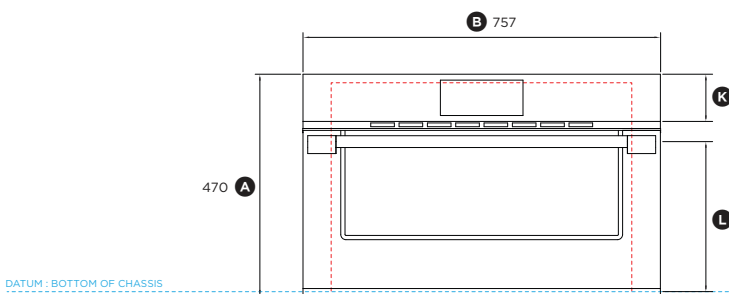
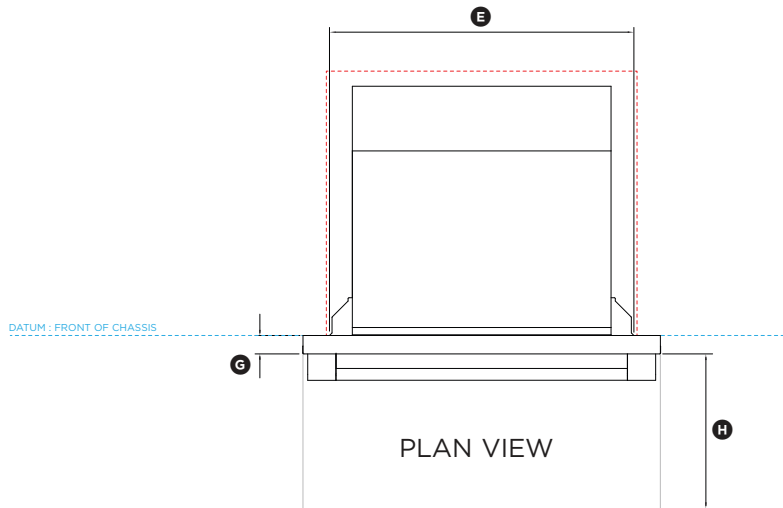
Product Dimensions	mm
Ⓐ Overall height of product	470
Ⓑ Overall width of product	757
Ⓒ Overall depth of product (excluding handle)	567
Ⓓ Height of chassis	446
Ⓔ Width of chassis	645
Ⓕ Depth of chassis	528
Ⓖ Depth of oven front frame and control panel (excludes handle)	39
Ⓙ Depth of oven door when fully open (measured from front of control panel)	308
Ⓚ Height from top of control panel to top of chassis	14
Ⓛ Height from bottom of chassis to bottom of lower trim	10
Ⓜ Height of control panel	100
Ⓝ Height from bottom of chassis to centreline of handle	327

Minimum Clearances	mm
Minimum inside height of cavity from base of chassis*	450
Minimum cavity width	645
Minimum inside cavity depth from front of chassis**	560
Rear ventilation depth***	50
Rear ventilation width***	560

\*A spacer may be required in the base of the cavity. For more information on clearances, refer to installation guide.

\*\*Flush Installation possible. Depending on cabinet panel thickness a rebate around front frame may be required, refer to installation guide.

\*\*\*Rear ventilation totalling 280cm<sup>2</sup> is required. The air vent must be located at the rear of cabinet, it can be positioned at the base, sides, back or top of the cavity.



PRODUCT DATUM -----  
INDICATES CABINETRY CLEARANCES - - - - -

DATE: 14.03.2022

IMPORTANT NOTE: Throughout this guide, dimensions may vary by ±2mm (1/16"). Please read the installation guide for detailed information on installing the product. For full installation instructions & specifications visit [fisherpaykel.com](http://fisherpaykel.com)