

# Front Load Washer, 2.4 cu ft, Time Saver

Series 7 | Front Load

White

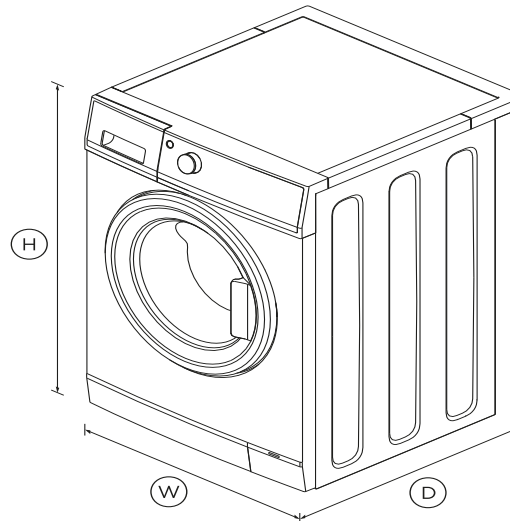


Ultimate performance and fabric care, this washer is powered by SmartDrive™ technology for a quicker, quieter wash

- 13 wash cycles including Sanitize, Sports and Wool wash, and extra wash features such as Steam and Time Saver
- With 'Add a Garment' function, allowing you to pause your wash and add an item
- Energy Star certified
- With our matching Condensing Dryer you have a perfect pair for your laundry

## DIMENSIONS

Height	33 1/4 - 33 5/8"
Width	23 7/16"
Depth	25 3/8"



## FEATURES & BENEFITS

### SmartDrive(TM) technology

SmartDrive™ Technology is a gentle, quiet, and efficient combination of smart electronics and a direct drive motor that senses the load to deliver better fabric care.

### Steam clean

The Steam function opens up the fibers within the fabric, helping the wash cycle and cleaning agent to do their job more effectively. The result is a superior wash.

### Time Saver option

The Time Saver option activates a special temperature profile and unique tumble sequence to speed things up when you are in a rush.

### Protect your woolens

Our Wool cycle has a Woolmark™ guarantee so you can wash your woolen garments with confidence.

### Drum Clean

The Drum Clean cycle flushes out the drum minimizing the chance of unwanted smells developing. A handy reminder to activate the Drum Clean function occurs after every 100 wash cycles.

### Add a Garment

The Add a Garment feature allows you to quickly add or remove any size garment mid cycle. Simply press the Add a Garment button and the door will unlock. If the drum water is too high, just enough will be drained out before the door is unlocked.

## SPECIFICATIONS

### Accessories

Stacking kit

### Capacity

Capacity **2.4cu ft**

### Consumption

Energy rating **Energy star**

Water usage (per wash cycle) **61L**

### Features

- Add a garment (immediate)
- Anti-fungal door gasket

Auto out of balance correction	•
Choice of cold only or hot and	•
Delay start	•
Door and gasket flushing	•
Eco rinse	•
Extra rinse option	•
Flood protection	•
Interior light	•
Keylock	•
No spin / Spin Hold	•
Pre Wash	•
Progress indicator	•
SmartTouch™ control dial	•
Soak	•
Spin speeds	4
Stainless steel drum	•
Steam function	•
Time saver function	•
Timed liquid detergent	•
Water supply	Hot & Cold
Water temperature controls	5
Wrinkle Free	•

**Performance**

Detergent	High efficiency
Maximum spin speed	1400 rpm
Number of spin speeds	4
Smart Diagnosis of problems	•
SmartDrive™ technology	•
Vortex Wash	•

**Product dimensions**

Depth	25 3/8"
Height	33 1/4 - 33 5/8"
Width	23 7/16"

**Warranty**

Parts and labor	2 years
Parts only SmartDrive™ Motor	10 years

**Wash Cycles**

Bulky	•
Cottons	•
Customise cycle	•
Delicate	•
Drum Clean	•
Everyday	•
Heavy	•
Number of wash cycles	13
Quick 30	•
Rinse	•
Spin	•
Sports	•
Wool	•

SKU	96235
-----	-------

specifications may change at any time. You should therefore check with Fisher & Paykel's Customer Care Centre to ensure this page correctly describes the model currently available. ? Fisher & Paykel Appliances Ltd 2020

The product dimensions and specifications in this page apply to the specific product and model. Under our policy of continuous improvement, these dimensions and

---

Other product downloads available at [fisherpaykel.com](http://fisherpaykel.com)



User Guide



Service & Warranty



Installation Guide



Planning Guide Front Load Washer



**A PEACE OF MIND SALE**

24 Hours 7 Days a Week Customer Support

T 1.888.936.7872 **W**[www.fisherpaykel.com](http://www.fisherpaykel.com)