

Condensing Dryer, 4.0 cu ft

Series 7 | Condensing

White

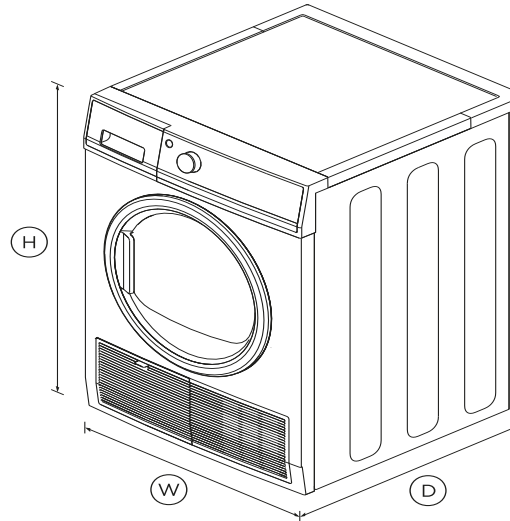


With no need to vent moisture outside, your condensing dryer can be incorporated into any laundry design for a beautiful laundry.

- 13 drying cycles including Delicates, Bulky and Sports
- Auto-sensing detects moisture levels to prevent under or over drying

DIMENSIONS

Height	33 1/4 - 33 5/8"
Width	23 7/16"
Depth	25 3/8"



FEATURES & BENEFITS

Auto-Sensing Technology

Auto-sensing prevents over-drying by sensing moisture levels inside the drum and shutting off automatically. This helps clothes last for longer and reduces energy consumption.

Gentle Tumble

The stainless steel drum has been uniquely designed to gently tumble dry your clothing and help prevent lint from occurring.

Healthier drying

Condensing technology removes water from the dryer into a tank or drain. This reduces moisture and allergens released into your laundry, compared with a front venting dryer. A healthier choice for allergy sufferers.

Too Precious To Tumble?

The drying rack is designed for items that can't be tumble dried. It fits easily into the dryer and delivers the perfect result for those precious delicates, shoes and toys.

Easy to use

A large see-through door provides light when loading. A stacking kit helps you put the dryer on top of the matching washer to save space in your laundry. Comes with a hose to drain water automatically.

Anti Vibration

Clever geometric designs on the side of your dryer and insulation inside the drum help to minimize the vibrations when in operation, keeping your dryer nice and quiet.

SPECIFICATIONS

Capacity

Capacity **4.1cu ft**

Dry Cycles

- Air Dry
- Air dry/Air fluff cycle
- Bulky
- Cottons
- Everyday
- Heavy
- Perm press
- Rack dry
- Sheets

- Sports •
- Time dry •
- Time to dry 30 •
- Time to dry 60 •
- Wrinkle Free •

Features

- Clean door lint filter reminder •
- Drum light •
- Drying rack •
- Easy access lint filter •
- End of cycle signal •
- Progress indicator •
- SmartTouch™ control dial •
- Stainless steel drum •
- Wrinkle free option •

Performance

- Auto sensing •
- Condensing •
- Delay start **5 mins, 15 mins, 30 mins, 1-12**
- Dryness settings **5**
- Reverse tumbling •
- Temperature settings **4**
- Time dry **10 -130 minutes at 10min**

Product dimensions

- Depth **25 3/8"**
- Height **33 1/4 - 33 5/8"**
- Width **23 7/16"**

Warranty

Parts and labour **2 years**

SKU **96243**

The product dimensions and specifications in this page apply to the specific product and model. Under our policy of continuous improvement, these dimensions and specifications may change at any time. You should therefore check with Fisher & Paykel's Customer Care Centre to ensure this page correctly describes the model currently available. Fisher & Paykel Appliances Ltd 2020

Where applicable:

All appliances use energy, and energy usage typically generates carbon emissions. **Fisher & Paykel Appliances' In-use Energy Carbon Emissions Estimate** indicates carbon emissions from a product's in-use energy. This is calculated either annually or per cycle, using the product's market-specific energy label energy consumption data multiplied by the carbon emissions factor for energy in your country or region.

Our In-use Energy Carbon Emissions Estimate is designed to assist customers in making informed purchasing decisions when comparing different Fisher & Paykel products. For example, a heat pump dryer typically has a lower In-use Energy Carbon Emissions Estimate than a vented dryer.

Other product downloads available at fisherpaykel.com

- [↓](#) User Guide
- [↓](#) Guide d'utilisation FR
- [↓](#) Guide d'utilisation FR
- [↓](#) Service & Warranty
- [↓](#) Installation Guide EN
- [↓](#) Guide d'installation FR
- [↓](#) Planning Guide Condensing Dryer



A PEACE OF MIND SALE

24 Hours 7 Days a Week Customer Support

T 1.888.936.7872 Wwww.fisherpaykel.com