

# 511L Series 7 French Door Refrigerator Freezer, Ice & water

Contemporary



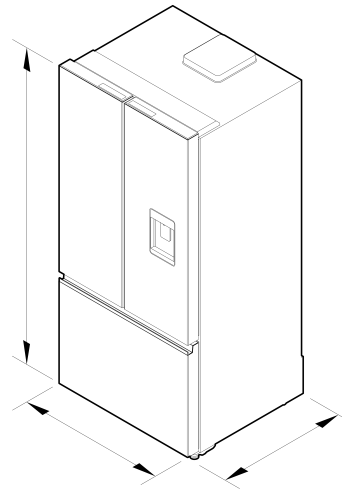
With generous storage tailored for fresh produce and a sleek, contemporary design, this French Door Refrigerator is a seamless fit for any kitchen. It also offers the convenience of chilled water and fresh ice on demand.

- Recessed handles create a sleek, modern look to complement any kitchen design
- Extra fridge space and dual humidity bins offer plenty of room for fresh produce and deli items
- ActiveSmart™ technology maintains the ideal temperature to help keep food fresher for longer

- Slimline water dispenser and internal ice maker provide chilled water and ice on demand

## DIMENSIONS

Height	1725 mm
Width	790 mm
Depth	707 mm



## FEATURES & BENEFITS

### Complementary design

Recessed handles and flat doors create a sleek, streamlined look that blends seamlessly with any kitchen aesthetic. Choose between stainless steel or elegant black stainless steel to perfectly complement your kitchen style.

### Ample fresh storage

Designed for those who prioritise fresh food, this refrigerator features a 70:30 fridge-freezer split, offering extra fridge space and an additional humidity-controlled drawer. Ideal for storing fresh produce or separating deli items and meats, it ensures everything has its place.

### Dual humidity drawers

Two full-width humidity-controlled drawers create ideal microclimates to keep fruits and vegetables fresher for longer, ensuring your produce stays crisp and delicious.

### ActiveSmart™ Foodcare

ActiveSmart™ Foodcare technology responds to everyday use by adjusting airflow, temperature, and humidity to help keep food fresher for longer.

### Clever energy

Your refrigerator adapts to daily use by cooling and defrosting only when necessary. This ensures energy is used efficiently without compromising food care.

### Ultra Slim Water Dispenser

The slimline dispenser provides cool, filtered water and easily accommodates almost any jug or vessel—all without compromising refrigerator storage space.

### Ice maker

Fresh ice is always on hand in a dedicated freezer bin. Turn it off to free up space when needed, or activate the boost function for extra ice during busy times.

## SPECIFICATIONS

### Accessories (sold separately)

Water filter replacement	847200
--------------------------	--------

### Capacity

Volume	<b>511 L</b>
Volume freezer	<b>140 L</b>
Volume refrigerator	<b>371 L</b>

Fast freeze	•
Ice bin and scoop	•
Ice Boost	•

The product dimensions and specifications in this page apply to the specific product and model. Under our policy of continuous improvement, these dimensions and specifications may change at any time. You should therefore check with Fisher & Paykel's Customer Care Centre to ensure this page correctly describes the model currently available. © Fisher & Paykel Appliances Ltd 2020

**Consumption**

Energy rating	<b>5 star</b>
Energy usage	<b>313 kWhr/year</b>
In-use energy carbon emissions estimate	<b>29.7kgCO2e/year</b>

**Performance**

ActiveSmart™ technology	•
Adaptive defrost	•
Eco friendly R600a refrigerant	•
Frost free	•
Humidity control system	•
Humidity controlled crisper bins	<b>2</b>
Internal replacable water filter	•
Sabbath mode	•

**Other product downloads available at fisherpaykel.com**

- [↓ DXF](#)
- [↓ DWG](#)
- [↓ Energy Label](#)
- [↓ Installation Guide \(English\)](#)
- [↓ Planning Guide \(English\)](#)
- [↓ Revit](#)
- [↓ Rhino](#)
- [↓ SketchUp](#)
- [↓ User Guide \(English\)](#)

**Controls**

Electronic interface	•
----------------------	---

**Features**

Adjustable glass shelves	<b>2</b>
Adjustable half width door shelves	<b>8</b>
Door alarm	•
Front levelling feet	•
Fruit and vegetable bins	<b>2</b>
Keylock	•
LED lighting	•
Rapid cool function	•
Ultra slim water dispenser	•

**Power requirements**

Rated current	<b>10 A</b>
Supply frequency	<b>50 Hz</b>
Supply voltage	<b>220-240 V</b>

**Where applicable:**

All appliances use energy, and energy usage typically generates carbon emissions. **Fisher & Paykel Appliances' In-use Energy Carbon Emissions Estimate** indicates carbon emissions from a product's in-use energy. This is calculated either annually or per cycle, using the product's market-specific energy label energy consumption data multiplied by the carbon emissions factor for energy in your country or region.

Our In-use Energy Carbon Emissions Estimate is designed to assist customers in making informed purchasing decisions when comparing different Fisher & Paykel products. For example, a heat pump dryer typically has a lower In-use Energy Carbon Emissions Estimate than a vented dryer.

**Product dimensions**

Depth	<b>707 mm</b>
Height	<b>1725 mm</b>
Width	<b>790 mm</b>

**Freezer Features**

Automatic ice maker	•
Bottle chill	•
Drawer alarm	•

SKU	<b>26997</b>
-----	--------------



**A PEACE OF MIND SALE**

24 Hours 7 Days a Week Customer Support

T 0800 372 273 [Wwww.fisherpaykel.com](http://www.fisherpaykel.com)