

Freestanding Refrigerator Freezer, 32", 17.1 cu ft, Ice & Water

Series 5 | Contemporary

Black Stainless Steel | Right Hinge

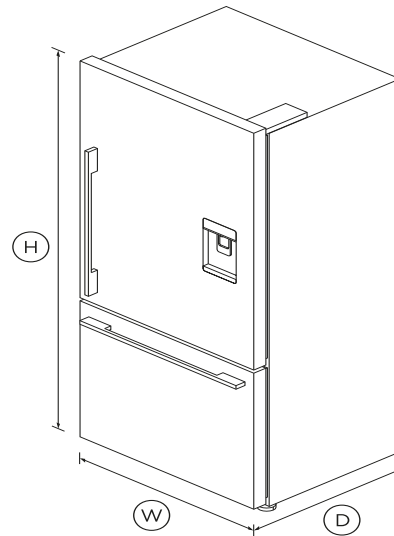


Sleek black stainless steel design, bringing a contemporary feel to your kitchen.

- Brushed metal handles
- ActiveSmart™ Foodcare helps keep food fresher for longer
- Bottom freezer drawer
- EZKleen anti-fingerprint coating

DIMENSIONS

Height	67 1/2"
Width	31 3/32"
Depth	27 3/8"



FEATURES & BENEFITS

Activesmart™ Foodcare

ActiveSmart™ technology understands that the refrigerator door is the most opened in the house. It constantly adjust temperature, airflow and humidity, maintaining an optimum environment and helping keep food fresher for longer.

Clever Energy

Your refrigerator adapts to daily use by cooling and defrosting only when needed. This means your refrigerator uses the energy it needs without compromising on food care.

Easy To Clean

No more dirty marks with our EZKleen feature for stainless steel refrigerators. Anti-fingerprint coating lets you simply wipe clean any finger marks. Spill-safe secure glass shelves easily capture any drips or leaks.

Design quality

Our refrigerators are designed and built using robust, quality materials, with stainless steel exteriors and solid glass for the interior shelving.

Humidity Control

Your fruit and veges need different environments. Each storage bin creates a microclimate, which helps keep them fresher for longer.

Ice Maker

The internal ice maker delivers fresh ice to a dedicated freezer bin. Simply turn it off to free up freezer space or during busy times boost ice production by up to 30%.

Ultra slim water dispenser

The slimline water dispenser is easy to use. The angled water delivery means that almost any size or shape of vessel can be filled, while taking up no storage space in your refrigerator door.

SPECIFICATIONS

Accessories (sold separately)

Handle kit Contemporary	25379
Water filter replacement	847200 - FWC3

Capacity

Volume freezer	4.8cu ft
Volume refrigerator	12.3cu ft

Consumption

Energy usage	535kWh/year
In-use energy carbon	196.1kgCO2e/year

Features

Adjustable door shelves	4
Adjustable glass shelves	4
Covered door shelves	2
Door alarm	•
Front levelling feet	•
Fruit and vegetable bins	2
LED lighting	•
Rear rollers	•
SmartTouch control panel	•
Stackable bottle holders	4
Ultra slim water dispenser	•

Freezer Features

Automatic ice maker	•
Bottle chill	•
Fast freeze	•
Ice Boost	•
Ice bin and scoop	•
Large plastic bins	•

Performance

ActiveSmart™ Foodcare	•
Adaptive defrost	•
Frost free freezer	•
Humidity control system	•
Inverter controlled compressor	•

Sabbath mode	•
--------------	---

Power requirements

Amperage	3.5A
----------	------

Product dimensions

Depth	27 3/8"
Height	67 1/2"
Width	31 3/32"

Warranty

Parts and labor	2 years
Sealed system parts and labor	additional 3 years

SKU	25952
-----	-------

The product dimensions and specifications in this page apply to the specific product and model. Under our policy of continuous improvement, these dimensions and specifications may change at any time. You should therefore check with Fisher & Paykel's Customer Care Centre to ensure this page correctly describes the model currently available. Fisher & Paykel Appliances Ltd 2020

Where applicable:

All appliances use energy, and energy usage typically generates carbon emissions. **Fisher & Paykel Appliances' In-use Energy Carbon Emissions Estimate** indicates carbon emissions from a product's in-use energy. This is calculated either annually or per cycle, using the product's market-specific energy label energy consumption data multiplied by the carbon emissions factor for energy in your country or region.

Our In-use Energy Carbon Emissions Estimate is designed to assist customers in making informed purchasing decisions when comparing different Fisher & Paykel products. For example, a heat pump dryer typically has a lower In-use Energy Carbon Emissions Estimate than a vented dryer.

Other product downloads available at fisherpaykel.com

- [↓](#) User Guide
- [↓](#) Service & Warranty
- [↓](#) Installation Guide



A PEACE OF MIND SALE

24 Hours 7 Days a Week Customer Support

T 1.888.936.7872 Wwww.fisherpaykel.com