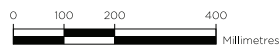
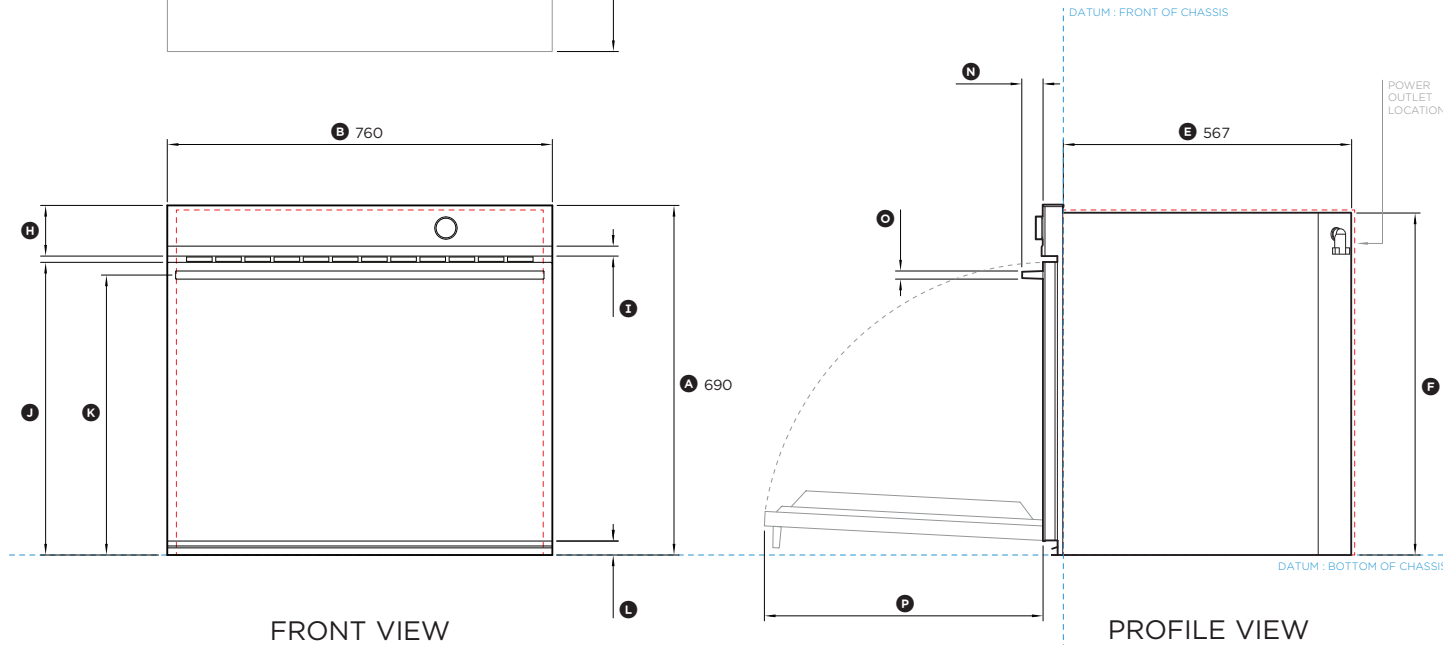
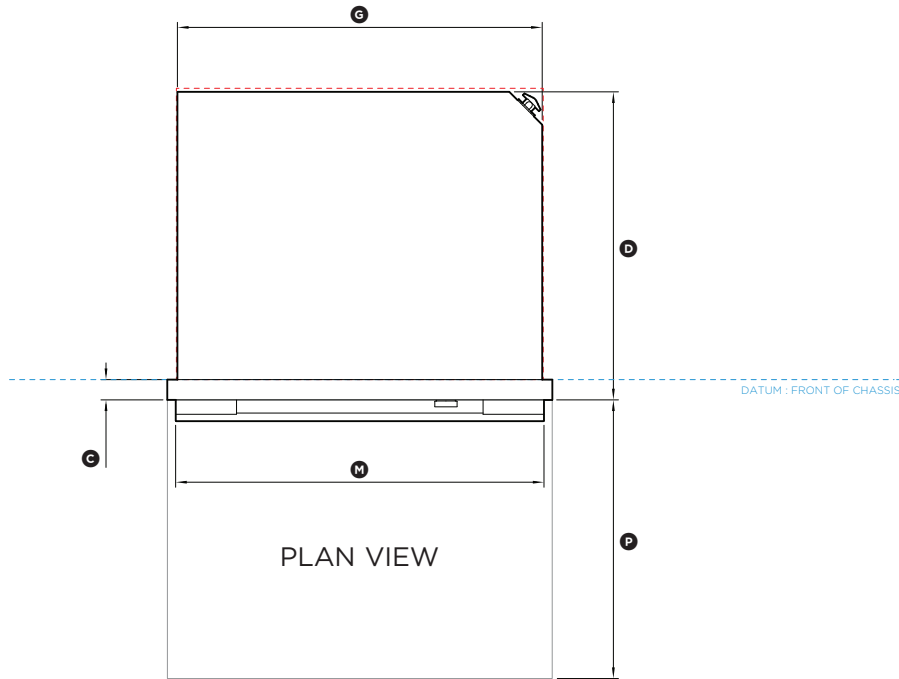


FISHER & PAYKEL

DATA SHEET Oven, 76cm

Model no:
OB76SDPTDX2
(refer page 1 for imperial measurements)



Product Dimensions	mm
Ⓐ Overall height of oven	690
Ⓑ Overall width of oven	760
Ⓒ Depth of front frame (excludes handle, front stainless steel trim and dial)	40
Ⓓ Depth of oven chassis and front frame (excludes handle, front stainless steel trim and dial)	607
Ⓔ Depth of chassis	567
Ⓕ Height of chassis	674
Ⓖ Width of chassis	720
Ⓗ Height of control panel	100
Ⓘ Height of stainless steel trim on control panel	20
Ⓚ Height from bottom datum to top of oven door	578
Ⓛ Height from bottom datum to centerline of handle	553
Ⓜ Height from bottom datum to bottom of door	28
Ⓝ Width of handle	727
Ⓞ Depth of handle	42
Ⓟ Thickness of handle	16
Ⓠ Depth of door when open (measured from front of door)	550

Minimum Clearances	mm
Minimum inside height of cavity	681
Minimum inside width of cavity	724
Minimum inside depth of cavity (proud installation*)	575

*Flush installation possible. Depending on cabinet panel thickness a rebate around front frame might be required, refer to the installation guide.

IMPORTANT NOTE: For full installation and clearance details please refer to the installation guide.

INDICATES PRODUCT DATUM -----
INDICATES CABINETRY CLEARANCES -----

DATE: **08.08.2022**

IMPORTANT NOTE: Throughout this guide, dimensions may vary by $\pm 2\text{mm}$ (1/16"). Please read the installation manual for detailed information on installing the product. For full installation instructions & specifications visit fisherpaykel.com