

# 30" Series 7 Contemporary 4 Burner Gas Range, Natural Gas

Height	35 3/4 - 37 5/8 "
Width	29 7/8 "
Depth	25 1/4 "

Precise cooktop controls let you sear or stir fry over instant, powerful heat. Use the high burner power or simmer a delicate sauce using the gentlest of heats.

### Easy Cleaning

With its durable surface, your cooktop simply needs a quick wipe after cooking to keep it looking good as new for years to come.

### SPECIFICATIONS

#### Accessories (included)

2-pc grill system (Broil pan and Grill rack)	•
Broil pan	•
Chromed shelf runners	1 set
Full extension telescopic shelves	2 sets (part 578776)
Grill rack	TRUE
Small pot support	1 (part 533981 cast)

#### Accessories (sold separately)

Kick strip, stainless steel (optional)	KICKOR30X1
Wok grate included	Yes

#### Burner ratings

Dual wok burner inner/outer (LPG)	1000 - 18000BTU
Dual wok burner inner/outer (natural gas)	1000 - 18000BTU
Maximum burner power	18000 BTU
Semi-rapid burner (LPG)	1500 - 7600BTU
Semi-rapid burner (natural gas)	1500 - 8000BTU

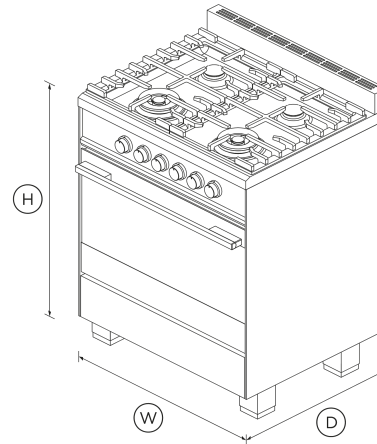
Contemporary



Add contemporary style to your kitchen, and enjoy the instant response and precision of a gas-fueled oven and cooktop.

- Four burner gas cooktop, with two dual ring wok burners
- Gas oven with 3.5 cu ft total capacity
- Three oven functions: Bake, Convection Bake and Maxi Broil

### DIMENSIONS



### FEATURES & BENEFITS

#### Design Quality

Every detail has been carefully crafted. The solid, perfectly balanced soft-close door, durable cooktop grates and machined stainless dials all add up to an exceptional, premium range.

#### Large Capacity Oven

The large 3.5cu ft total capacity for this range gives you plenty of space to cook multiple dishes at the same time.

#### Performance Power

Total cooktop power	<b>52000 BTU</b>
---------------------	------------------

---

**Capacity**

Shelf positions	<b>7</b>
Total capacity	<b>3.5 cu ft</b>
Usable capacity	<b>2.7 cu ft</b>

---

**Cleaning**

- Acid resistant graphite enamel •
  - Dishwasher proof trivets •
  - Removable oven door •
  - Removable shelf runners •
- 

**Controls**

- Laser etched graphics •
- 

**Gas Requirements**

Supply Pressure (LPG)	<b>11" W.C.P</b>
Supply Pressure (natural gas)	<b>4" W.C.P</b>

---

**Oven features**

- Auto re-ignition system •
- Concealed element •
- Convection •
- Electronic ignition •
- Full extension telescopic sliding shelves •

- Soft open/close door •
  - Storage drawer •
- 

**Oven functions**

Bake	•
Convection bake	•
Maxi Broil	•
Number of functions	<b>3</b>

---

**Oven performance**

Bake power	<b>14000 BTU</b>
Broil	<b>11000 BTU</b>
CoolTouch door	<b>Triple glazed</b>

---

**Power requirements**

Connection	<b>3-prong grounding type [NEMA 5-15P plug]</b>
Service	<b>15 A</b>
Supply frequency	<b>60 Hz</b>
Supply voltage	<b>120 V</b>

---

**Product dimensions**

Depth	<b>25 1/4 "</b>
Height	<b>35 3/4 - 37 5/8 "</b>
Width	<b>29 7/8 "</b>

---

**Rangetop features**

- Hob rail •
  - LPG / Natural Gas compatible •
  - Sealed range top •
- 

**Safety**

- ADA compliant •
  - Advanced cooling system •
  - Anti-tilt bracket •
  - Balanced oven door •
  - CoolTouch door •
  - Full extension telescopic sliding shelves •
  - Non-tip shelves •
  - Spill containment **1/2 gallon**
- 

SKU 82763

---

The product dimensions and specifications in this page apply to the specific product and model. Under our policy of continuous improvement, these dimensions and specifications may change at any time. You should therefore check with Fisher & Paykel's Customer Care Centre to ensure this page correctly describes the model currently available. © Fisher & Paykel Appliances Ltd 2020

**Other product downloads available at [fisherpaykel.com](http://fisherpaykel.com)**

- [↓](#) DXF
- [↓](#) Data Sheet (English)
- [↓](#) DWG

- [↓ Installation Guide \(English\)](#)
- [↓ Installation Guide \(Canadian French\)](#)
- [↓ California Warning Proposition 65 \(English, Spanish, Canadian French, Chinese\)](#)
- [↓ Revit](#)
- [↓ Rhino](#)
- [↓ Right To Repair Declaration \(English, Canadian French\)](#)
- [↓ SketchUp](#)
- [↓ User Guide \(English\)](#)
- [↓ User Guide \(Canadian French\)](#)

**Where applicable:**

All appliances use energy, and energy usage typically generates carbon emissions. **Fisher & Paykel Appliances' In-use Energy Carbon Emissions Estimate** indicates carbon emissions from a product's in-use energy. This is calculated either annually or per cycle, using the product's market-specific energy label energy consumption data multiplied by the carbon emissions factor for energy in your country or region.

Our In-use Energy Carbon Emissions Estimate is designed to assist customers in making informed purchasing decisions when comparing different Fisher & Paykel products. For example, a heat pump dryer typically has a lower In-use Energy Carbon Emissions Estimate than a vented dryer.



**A PEACE OF MIND SALE**  
24 Hours 7 Days a Week Customer Support  
T 1.888.936.7872 W [www.fisherpaykel.com](http://www.fisherpaykel.com)