

60cm Series 3 Contemporary Oven, 5 Function

Contemporary



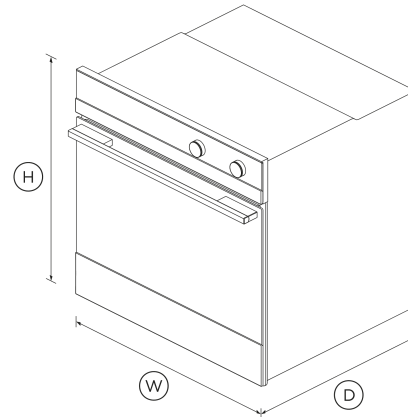
With contemporary styling and clean lines in glass and steel, this built-in oven complements the style and elegance of any modern kitchen.

- 85L total capacity
- Five oven functions including Maxi Grill

DIMENSIONS

Height **598 mm**

Width **597 mm**
 Depth **565 mm**



SPECIFICATIONS

Accessories (included)

Catalytic panels •

Accessories (sold separately)

Handle kit Contemporary round, aluminium **Part number 81645**

Capacity

Shelf positions **6**
 Total capacity **85 L**

Usable capacity **72 L**

Cleaning

- Acid resistant graphite enamel
- Drop down grill element
- Removable oven door inner glass

Controls

- Automatic cooking/minute timer
- Electronic capacitive touch controls
- Internal Light

Functions

- Fan forced
- Fan grill
- Grill
- Maxi Grill
- Number of functions **5**

Performance

- AeroTech™ technology
- Whisper Quiet Cooking

Power requirements

Amperage **15 A**

Product dimensions

Depth	565 mm
Height	598 mm
Width	597 mm

Safety

Balanced oven door	•
CoolTouch door	•
Non-tip shelves	•

SKU	81493
-----	-------

The product dimensions and specifications in this page apply to the specific product and model. Under our policy of continuous improvement, these dimensions and specifications may change at any time. You should therefore check with Fisher & Paykel's Customer Care Centre to ensure this page correctly describes the model currently available. © Fisher & Paykel Appliances Ltd 2020

Other product downloads available at fisherpaykel.com

- [↓](#) DWG
- [↓](#) DXF
- [↓](#) Archicad
- [↓](#) Data Sheet (English)
- [↓](#) Installation Guide (English)
- [↓](#) Revit
- [↓](#) Rhino
- [↓](#) SketchUp
- [↓](#) User Guide (English)

Where applicable:

All appliances use energy, and energy usage typically generates carbon emissions. **Fisher & Paykel Appliances' In-use Energy Carbon Emissions Estimate** indicates carbon emissions from a product's in-use energy. This is calculated either annually or per cycle, using the product's market-specific energy label energy consumption data multiplied by the carbon emissions factor for energy in your country or region.

Our In-use Energy Carbon Emissions Estimate is designed to assist customers in making informed purchasing decisions when comparing different Fisher & Paykel products. For example, a heat pump dryer typically has a lower In-use Energy Carbon Emissions Estimate than a vented dryer.

**A PEACE OF MIND SALE****24 Hours 7 Days a Week Customer Support**T 1300 650 590 W www.fisherpaykel.com