

FISHER & PAYKEL


GAS COOKTOP

CG905DW models

INSTALLATION GUIDE

GB IE

590875B 08.17

⚠ WARNING!	
	<p>Electrical Shock Hazard Before carrying out any work on the electrical section of the appliance, it must be disconnected from the mains electricity supply. Connection to a good earth wiring system is absolutely essential and mandatory. Alterations to the domestic wiring system must only be made by a qualified electrician. Failure to follow this advice may result in electrical shock or death.</p>

⚠ WARNING!	
	<p>Cut Hazard Take care - panel edges are sharp. Failure to use caution could result in injury or cuts.</p>

IMPORTANT SAFETY INSTRUCTIONS

- Particular attention shall be given to the relevant requirements regarding ventilation.
- Read these instructions carefully before installing this product.
- Please make this information available to the person installing the appliance as it could reduce your installation costs.

IMPORTANT SAFETY INSTRUCTIONS

- This appliance must be installed and serviced only by a suitably qualified and registered person, and in accordance with the current editions of the following standards and regulations or other locally applicable regulations:
 - Gas Safety (Installation and Use) Regulations
 - Building Regulations
 - British Standards
 - Regulations for Electrical Installation
- Incorrect installation, for which the manufacturer accepts no responsibility, may cause personal injury or damage and could invalidate any warranty or liability claims.
- This gas appliance is suitable for connection only to the gas type for which it was set at the factory, as declared on the appliance data label. It is not convertible for use on any other gas type. If in doubt, refer to the local gas network operator or gas supplier to confirm gas type at installation site.
- Do not modify this appliance.
- Do not use or store flammable materials on or near this appliance.
- Do not spray aerosols in the vicinity of this appliance while it is in operation.
- Packing elements (eg plastic bags, polystyrene foam, staples, packing straps etc) and tools should not be left around during and after installation, especially if they are within easy reach of children, as these may cause serious injuries.
- You must remove the transit screws before installing the cooktop. See step 8 of installation instructions.

IMPORTANT! SAVE THESE INSTRUCTIONS

The models shown in this installation guide may not be available in all markets and are subject to change at any time. For current details about model and specification availability in your country, please go to our website www.fisherpaykel.com or contact your local Fisher & Paykel dealer.

Ventilation requirements

- The appliance should be installed in a room or space with an air supply in accordance with BS 5440:2 2009.
- For rooms with a volume of less than 5 m³, permanent ventilation through a free area of at least 100 cm² will be required.
- For rooms with a volume between 5 m³ and 10 m³, permanent ventilation through a free area of at least 50 cm² will be required, unless the room has a door which opens directly to the outside air, in which case no permanent ventilation is required.
- For rooms with a volume greater than 10 m³, no permanent ventilation is required.

IMPORTANT!

Regardless of room size, all rooms containing the appliance must have direct access to the outside air via an openable window or equivalent.

- **Where there are other fuel-burning appliances in the same room, BS 5440-2: 2009 should be consulted to determine the correct amount of free area ventilation requirements.**
- **The above requirements also allow for use of a gas oven and grill, but you need to consult a qualified engineer if there are other gas-burning appliances in the same room.**

Before you install the appliance, please make sure that

- the local distribution conditions (nature of gas and pressure) and the adjustment of the appliance are compatible. For adjustment conditions for this appliance see 'Gas rate summary'.
- a suitable disconnection switch is incorporated in the permanent wiring, mounted and positioned to comply with the local wiring rules and regulations. A means of disconnection with at least a 3 mm air gap contact separation in all poles must be incorporated into the fixed wiring in accordance with the wiring rules, unless the local wiring rules allow for alternative means.
- the appliance is connected to a 220V - 240V 50Hz (10 A) power supply only and earthed via the power supply cable.
- there is a power outlet within reach of the power supply cable (900 mm from the centre rear of the product). This must be accessible after installation. The power supply cable should not touch any metal parts.
- If the power supply cable is damaged, it is replaced only by the special cable: Part no. 534906 TRMNL BLOCK-FLEX ASY HITEMP UK, obtainable from authorised Fisher & Paykel Service Agents.
- the supply connection point (gas shut-off valve) is accessible after installation.
- the benchtop is made of a heat resistant material.
- the installation complies with all the requirements of all current local codes and regulations.

When you install the appliance

- As servicing requires removing of the cooktop from the countertop we do not recommend flush mounting. To the fullest extent permissible by law, the owner carries all risk for flush mounting of the cooktop. The owner must ensure the cooktop has been cut out from the benchtop before servicing can be carried out. Fisher & Paykel will not be liable for any costs associated with removing or replacing a flush-mounted and/or sealed-in product, nor for repairing any damage that may be incurred by doing this. Fisher & Paykel does not exclude any statutory liability it may have and which by law cannot be excluded, because of the giving of this notice.
- If installed with an approved flexible hose, the hose should not come in contact with the bottom of the appliance or any sharp edges. Flexible hose assemblies should be BS 699.1 certified.
- Seal exposed bare edges of the cutout with an oil-based paint or moisture-proof polyurethane to prevent possible moisture creeping between the cooktop trim and the benchtop.

When you install the appliance

- If, after following the instructions given, correct performance cannot be achieved, please contact your nearest Fisher & Paykel Authorised Service Centre, Customer Care, or contact us through our website listed at the end of this document.

② PARTS SUPPLIED



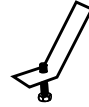
Wok stand (1)



Small pan support (1)



Nipple 1/2 " BSPT thread (1)

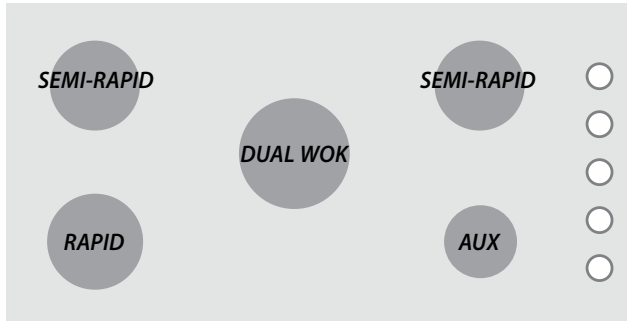


Clamping brackets (6) and screws (6)



Test point adaptor (1) (LPG models)

③ GAS RATE SUMMARY



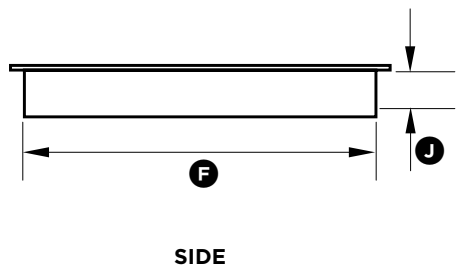
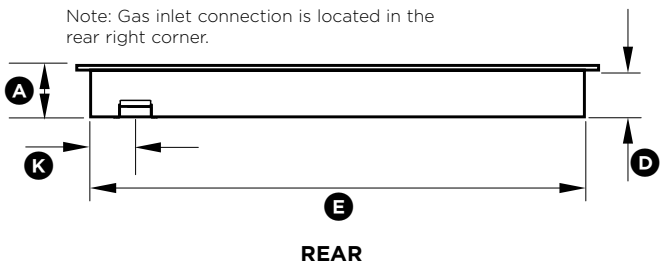
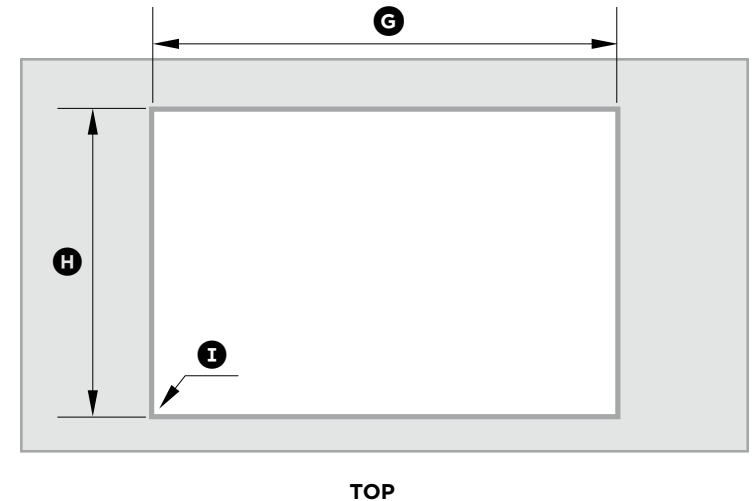
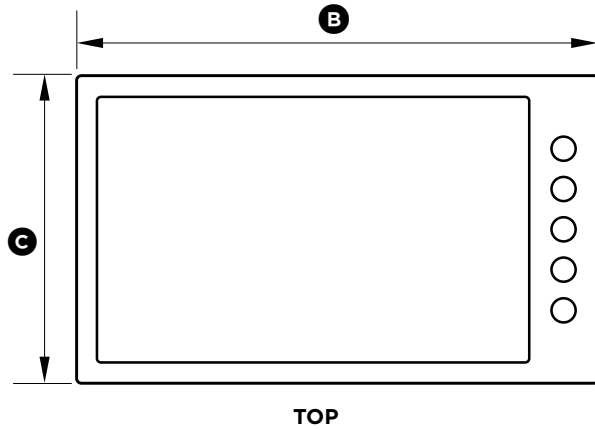
All appliances are factory set for either Natural Gas or LPG. Check the 'Gas type' sticker on the base of the appliance.

CG905DW

GAS TYPE	BURNER											
	AUX			SEMI-RAPID			RAPID			DUAL WOK		
	Jet size (mm)	Nominal rating (kW/h)	Nominal rating (kCal/h)	Jet size (mm)	Nominal rating (kW/h)	Nominal rating (kCal/h)	Jet size (mm)	Nominal rating (kW/h)	Nominal rating (kCal/h)	Jet size (mm)	Nominal rating (kW/h)	Nominal rating (kCal/h)
NG (20 mbar)*	0.84	1.20	1030	1.14	2.30	1978	1.28	3.00	2580	1.12 1.12 0.80	5.33	4584
LPG (29 mbar)*	0.56	1.30	1118	0.75	2.20	1892	0.95	3.50	3010	0.73 0.73 0.52	4.90	4214
Nominal rating (g/h)	(95 g/h)			(161 g/h)			(255 g/h)			(358 g/h)		

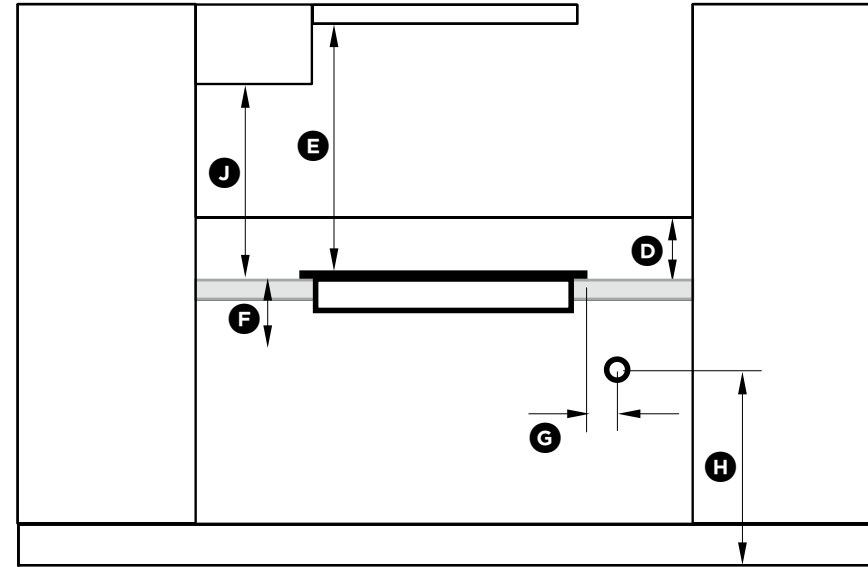
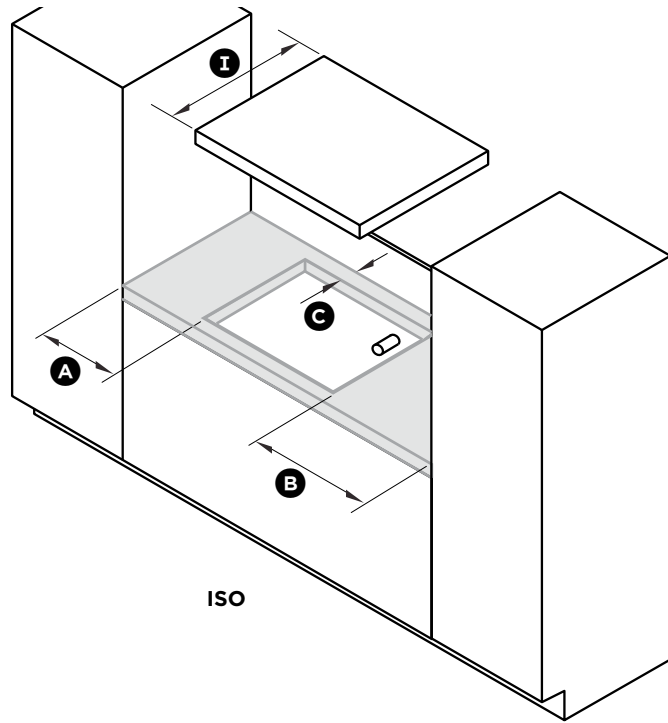
*Nominal pressure with the two semi-rapid burners on High.

④ **PRODUCT & CABINETRY DIMENSIONS**



PRODUCT DIMENSIONS	mm
(A) Overall height of product (excluding burners, dials and pan supports)	79
(B) Overall width of product	900
(C) Overall depth of product	530
(D) Height of chassis (below top of counter)	76
(E) Width of chassis	860
(F) Depth of chassis	487
(G) Overall width of cutout	870
(H) Overall depth of cutout	494
(I) Corner radius of cutout	max. 10
(J) Distance from top of counter to center of gas inlet on product	76
(K) Distance from edge of chassis to gas inlet on product	22

5 CLEARANCE DIMENSIONS

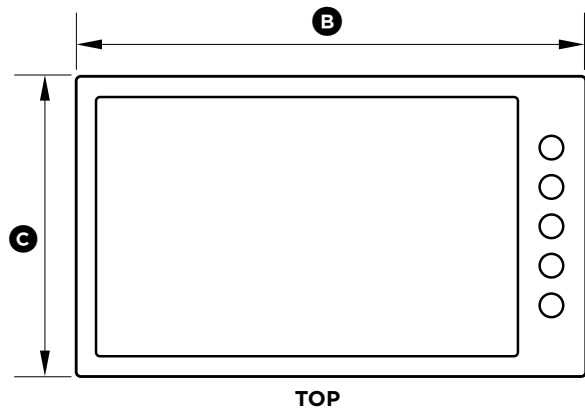


FRONT

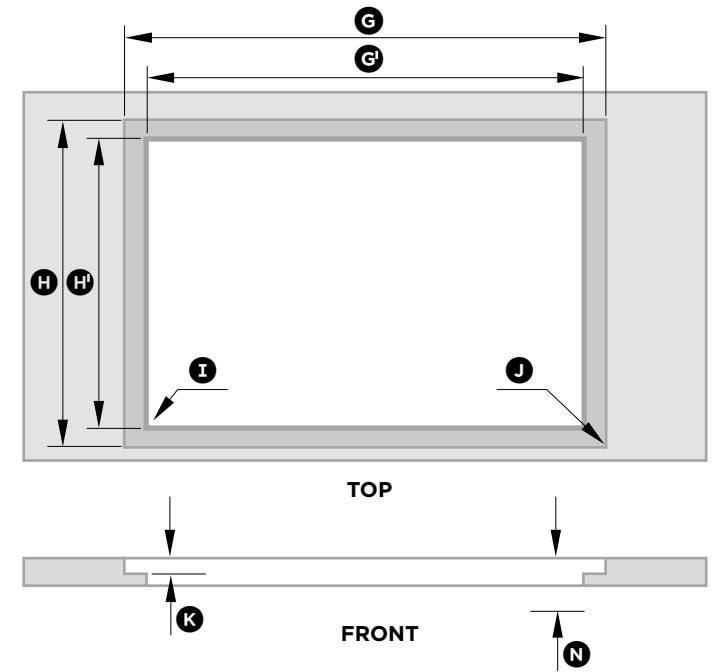
CLEARANCE DIMENSIONS	mm
Ⓐ Minimum clearance from left edge of cutout to nearest combustable surface	100
Ⓑ Minimum clearance from right edge of cutout to nearest combustable surface	100
Ⓒ Minimum clearance from rear edge of cutout to: Nearest combustable surface	115
Nearest non-combustible surface	35
Ⓓ Minimum height of non-combustible material when used on adjacent walls	150
Ⓔ Minimum clearance from cooktop surface to: Rangehood	650
Any other overhead exhaust fan	800
Downward facing combustable surface	650
Downwards-facing tiled or fire resistant surface	500
Ⓕ Minimum clearance below top of benchtop to: Combustable surface	81
Fisher & paykel oven or nearest non-combustible surface	81
Ⓖ Minimum distance from right edge of cooktop to gas connection point on wall (if using a flexible hose)	250
Ⓗ Distance from floor to gas connection point on wall (if using a flexible hose)	min. 800 - max. 900
Ⓘ Maximum overall depth of overhead cabinetry	600
Ⓙ Minimum clearance from the cooktop surface to overhead cabinetry	366

Note: Ensure there is an earthed power outlet within 900 mm of the centre rear of the product. The gas connector on the wall should be 800-850 mm (H) above the floor and to a distance of at least 250 mm (G) outside the width of the product, on the right-hand side. It should be accessible with the product installed.

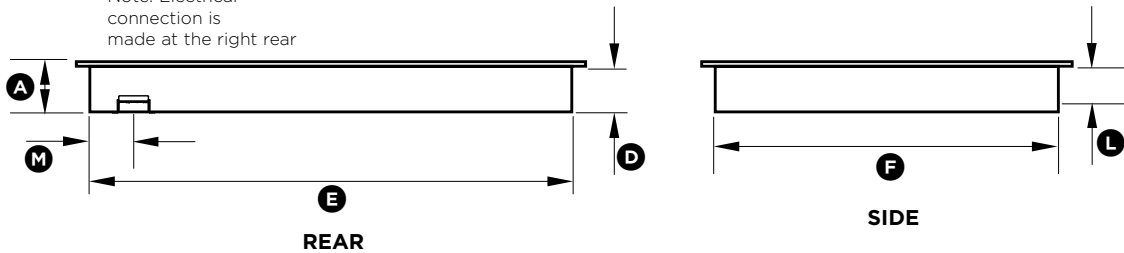
⑥ FLUSH MOUNTING INSTALLATION (OPTIONAL)



IMPORTANT!
Refer to 'When you install the appliance' in the Safety and Warnings section before you flush mount this appliance.



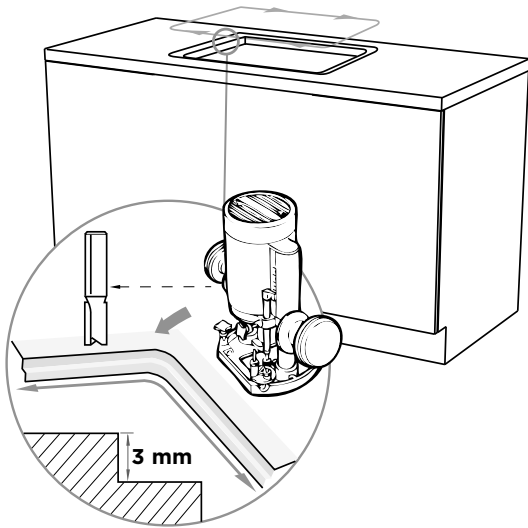
Note: Electrical connection is made at the right rear



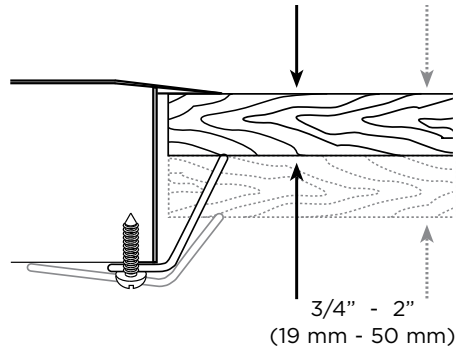
PRODUCT AND CABINERY DIMENSIONS		mm
(A)	Overall height of product (excluding burners, dials and pan supports)	79
(B)	Overall width of product	900
(C)	Overall depth of product	530
(D)	Height of chassis (below top of counter)	76
(E)	Width of chassis	860
(F)	Depth of chassis	487
(G)	Overall width of routed recess	905
(G')	Width of cutout	875
(H)	Overall depth of routed recess	535
(H')	Depth of cutout	494
(I)	Corner radius of cutout	10
(J)	Corner radius of routed recess	max. 5
(K)	Height of routed recess	3
(L)	Distance from top of counter to center of gas inlet on product	76
(M)	Distance from edge of chassis to gas inlet on product	22
(N)	Minimum clearance below top of benchtop to: rear top of oven* installed below cooktop or cabinetry thermal protection barrier	81 81

⑦ FLUSH MOUNTING INSTALLATION (OPTIONAL)

Ⓐ ROUTER THE BENCHTOP TO THE SPECIFIED DEPTH

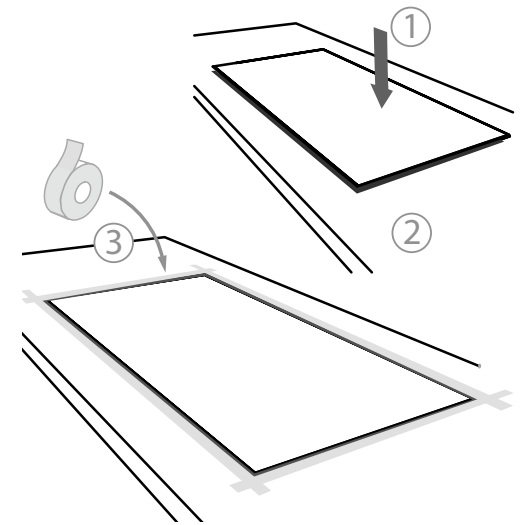


Ⓑ FIT THE CLAMPING BRACKETS

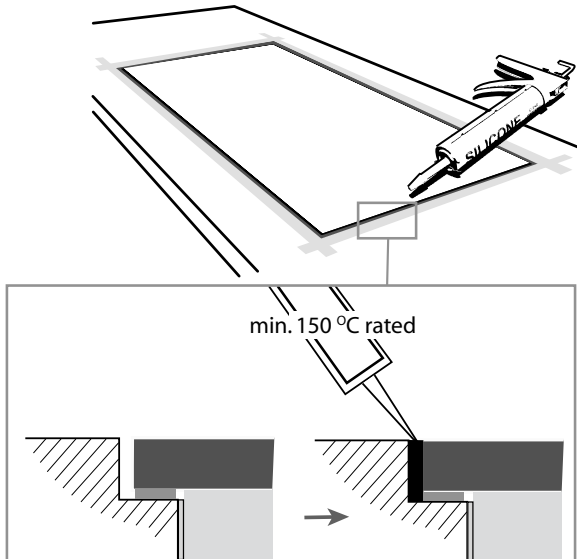


REPEAT ON ALL THE OTHER SIDES
(Total 6 brackets)

Ⓒ MASK OFF THE AREA TO BE SILICONED

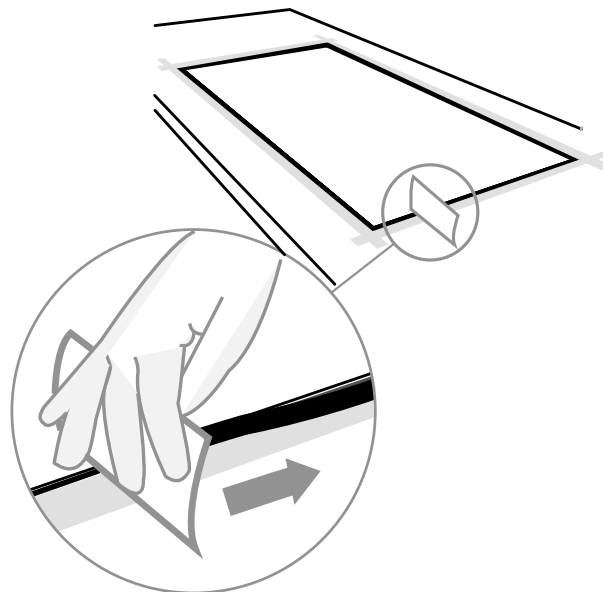


Ⓓ APPLY SILICONE

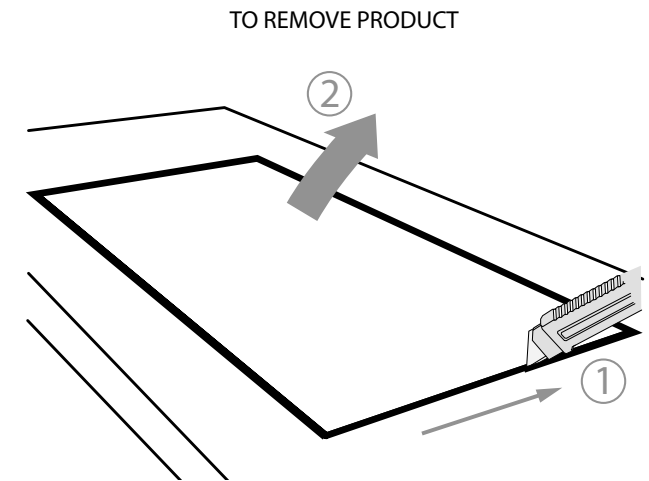


Ensure silicone does not leak underneath the steel edge.

Ⓔ WIPE OFF EXCESS SILICONE

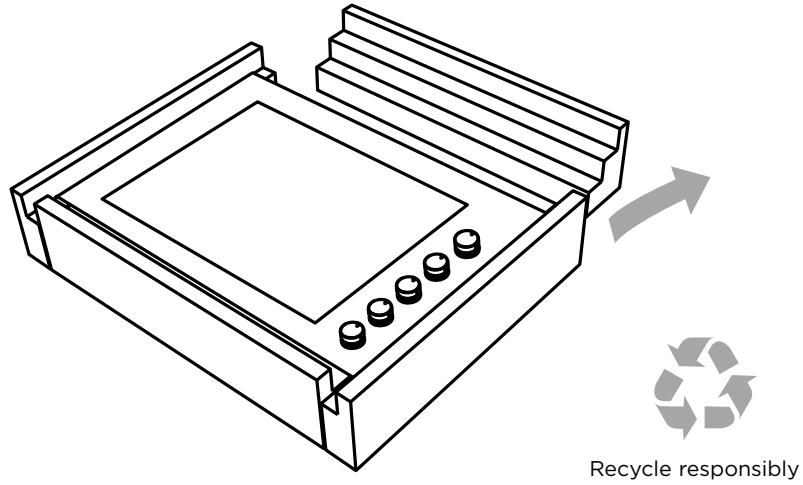


Ⓕ IF REMOVING PRODUCT, CUT AROUND THE SILICONE

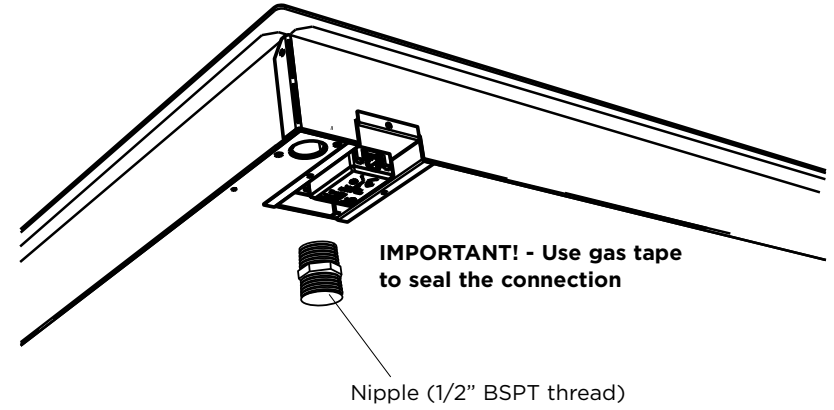


8 DISCARD PACKAGING

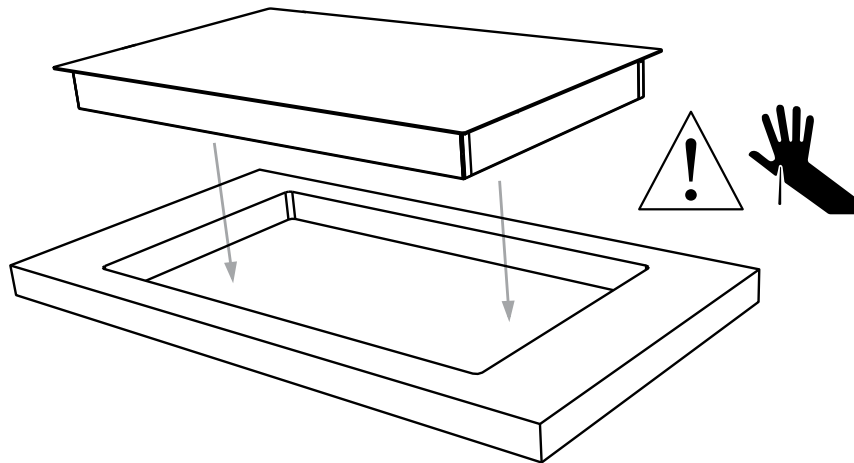
Model may vary from illustrations shown



9 FIT THE NIPPLE AND WASHER



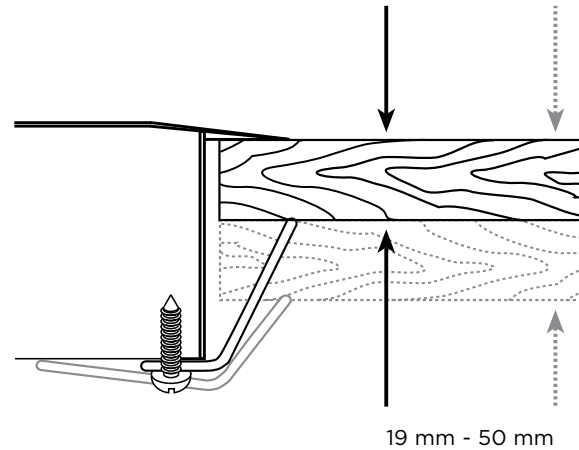
10 LOWER GENTLY INTO THE CUTOUT



11 SECURE TO COUNTERTOP WITH BRACKETS BASED ON THE COUNTERTOP THICKNESS

Place the cooktop into the cutout and tighten it with the supplied clamps. These will cope with the countertop thicknesses 19 - 50 mm when used in the two orientations shown.

IMPORTANT! - Do not over tighten.



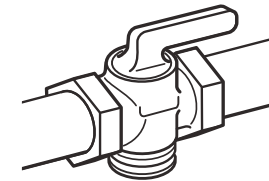
**REPEAT ON ALL THE OTHER SIDES
(Total 6 brackets)**

12 GAS CONNECTION

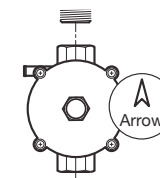
- Make sure the connection point will be accessible with the cooktop installed.
- To enable the gas supply to be readily shut off by the customer, make sure the connection is fitted with an isolating valve close to the cooktop.
- A manual shut-off valve must be installed in an accessible location in the gas line external to the appliance for the purpose of turning on or shutting off gas to the appliance.
- Gas connection to the product must use the nipple supplied with a 1/2" BSP external thread. The supplied gas pressure regulator must be installed where it will be accessible for adjustment.

If connecting the gas with a flexible hose

- Ensure the hose is long enough to allow for removal of cooktop for servicing.
- Make sure the connector is located as shown in step 5 CLEARANCE DIMENSIONS.
- The hose assembly must be with an Rp 1/2" (ISO 7-1) female thread connection.
- The hose assembly must be as short as practicable and comply with the relevant regulatory requirements.
- The hose must not be kinked, subjected to abrasion or permanently deformed.
- The hose must not be near or in contact with any hot surfaces (e.g. base of metal hotplate, flue, or chassis of undercounter oven etc.)

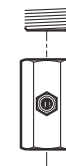


NG



Adjust to obtain a **test point pressure of 20mbar** with all the burners operating at highest setting.

LPG



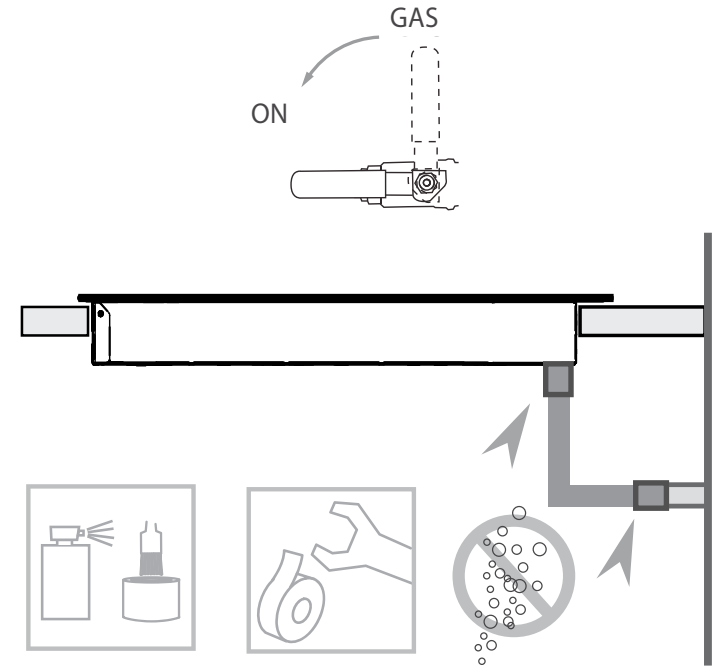
Make sure the **supply pressure is regulated to 29mbar**, with all the burners operating at highest setting.

13 LEAK TESTING

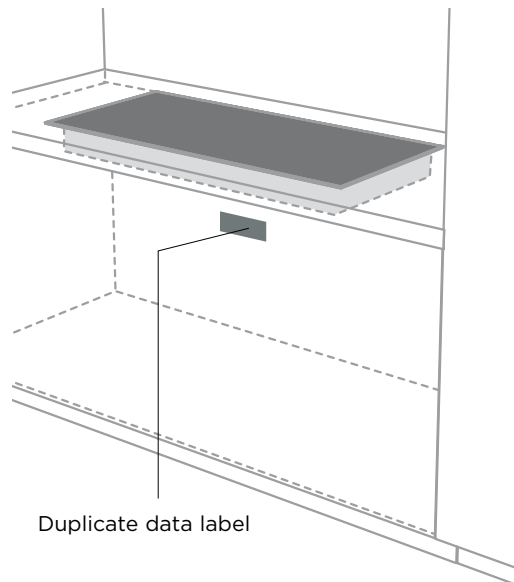
- Leak testing of the appliance shall be conducted according to the manufacturer's instructions.
- The appliance and its individual shut-off valve must be disconnected from the gas supply piping system during any pressure testing of that system in excess of 3.5mbar.
- Maximum inlet gas supply pressure 50 mbar.

After installing the gas supply and making all connections, check thoroughly for possible leaks:

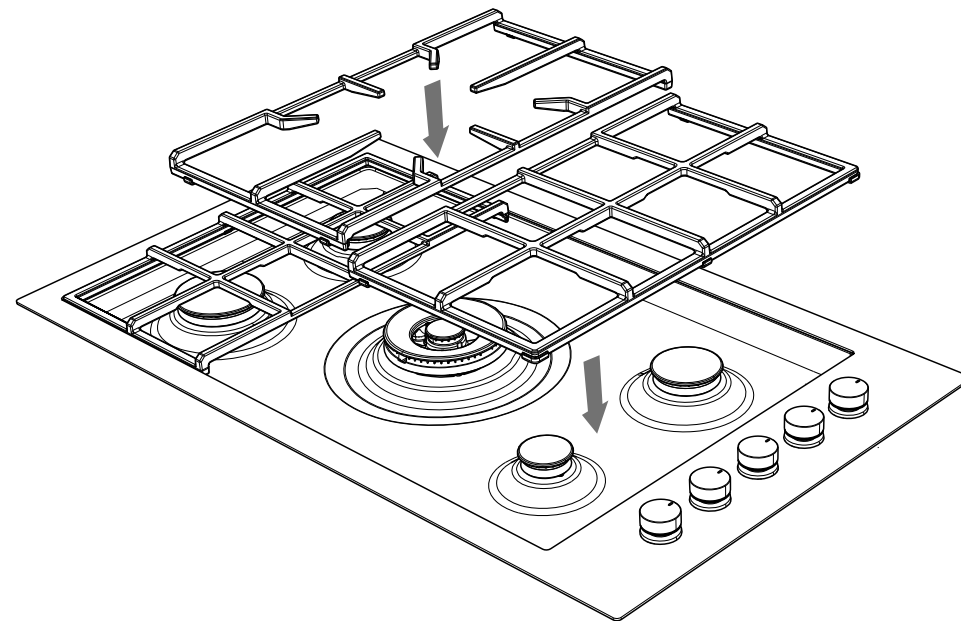
- ① Turn all control dials on unit to "OFF" position.
- ② Open the valve on the gas supply.
- ③ Using a leak detection fluid, check each gas connection one at a time by spraying or brushing the solution over the connection. The presence of bubbles will indicate a leak.
- ④ If necessary, tighten the fitting and recheck for leaks.
- ⑤ Turn on burner valve and light each burner.
- ⑥ Check for a clear blue flame without yellow tipping. If burners show any abnormalities, check that they are located properly and in line with the injector.



14 AFFIX DUPLICATE DATA LABEL SOMEWHERE ACCESSIBLE & PLUG COOKTOP IN

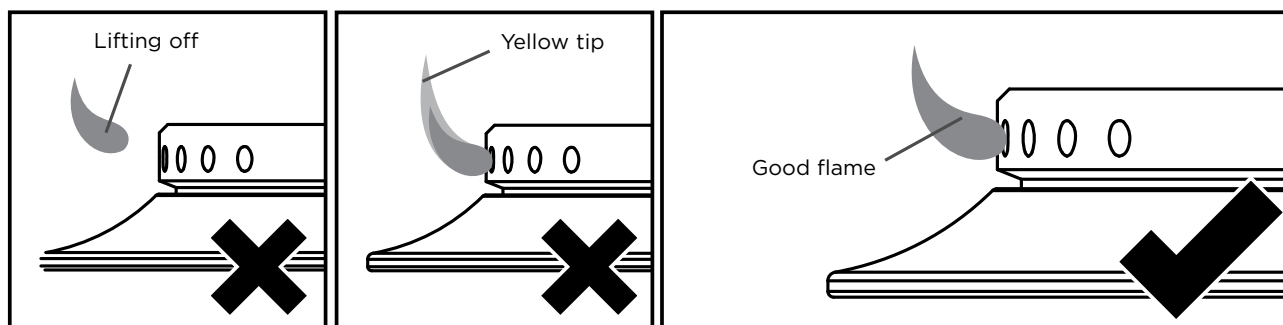


15 FIT PAN SUPPORTS



16 TEST OPERATION

- To check that the ignition system operates correctly, light each burner by itself, then all burners in combination.
- Check for a well-defined blue flame without any yellow tipping.
- If any abnormality is evident, check that the components of the burner assembly are located properly
- If proper operation cannot be obtained, contact Customer Care or your nearest F&P Authorized Service Center.
- The cooktop must not be used by the customer until proper operation has been achieved.





TO BE COMPLETED BY THE INSTALLER

- Have you installed the clamping brackets?
- Have you verified that the type of model (factory-set for NG or LPG) matches the type of gas at the site of installation?
- Have you sealed all connections with gas tape?
- Have you leak-tested all connections?
- Is the cooktop set to the correct working pressure?
- Have you affixed the supplied duplicate data plate label on an adjacent surface accessible to the customer?
- Is the cooktop grounded?
- Check that the power supply cord is NOT touching the cooktop.

OPERATION:

- Do all burners ignite both individually and in combination?
- Are the flames consistent and appropriately sized?
- Have you demonstrated the basic operation to the customer?

Complete and keep for safe reference:

Model _____

Serial No. _____

Purchase Date _____

Purchaser _____

Dealer Address _____

Installer's Name _____

Installer's Signature _____

Installation Company _____

Installation Date _____

FISHERPAYKEL.COM

© Fisher & Paykel Appliances 2017. All rights reserved.

The product specifications in this booklet apply to the specific products and models described at the date of issue. Under our policy of continuous product improvement, these specifications may change at any time. You should therefore check with your Dealer to ensure this booklet correctly describes the product currently available.

GB IE

590875B 08.17