

# FISHER & PAYKEL

## DATA SHEET

Integrated CoolDrawer™ Multi-temperature Drawer

### Model no:

RB36S25MKIW1

(refer page 4 for metric measurements)

### Product Dimensions

	in
Ⓐ Overall height* of CoolDrawer™**	25 3/16"
Ⓑ Overall width* of CoolDrawer™	33 11/16"
Ⓒ Depth of CoolDrawer™ chassis (includes power terminal)	21 15/16"
Ⓓ Height from bottom datum to bottom of drawer front*	6 1/16" – 7 1/4"
Ⓔ Height from bottom datum to top of drawer front*	25"
Ⓕ Width of internal drawer front*	31 11/16"
Ⓖ Depth of internal drawer front*	1 3/4"
Ⓗ Depth of drawer (open) measured from front datum*	20 1/2"

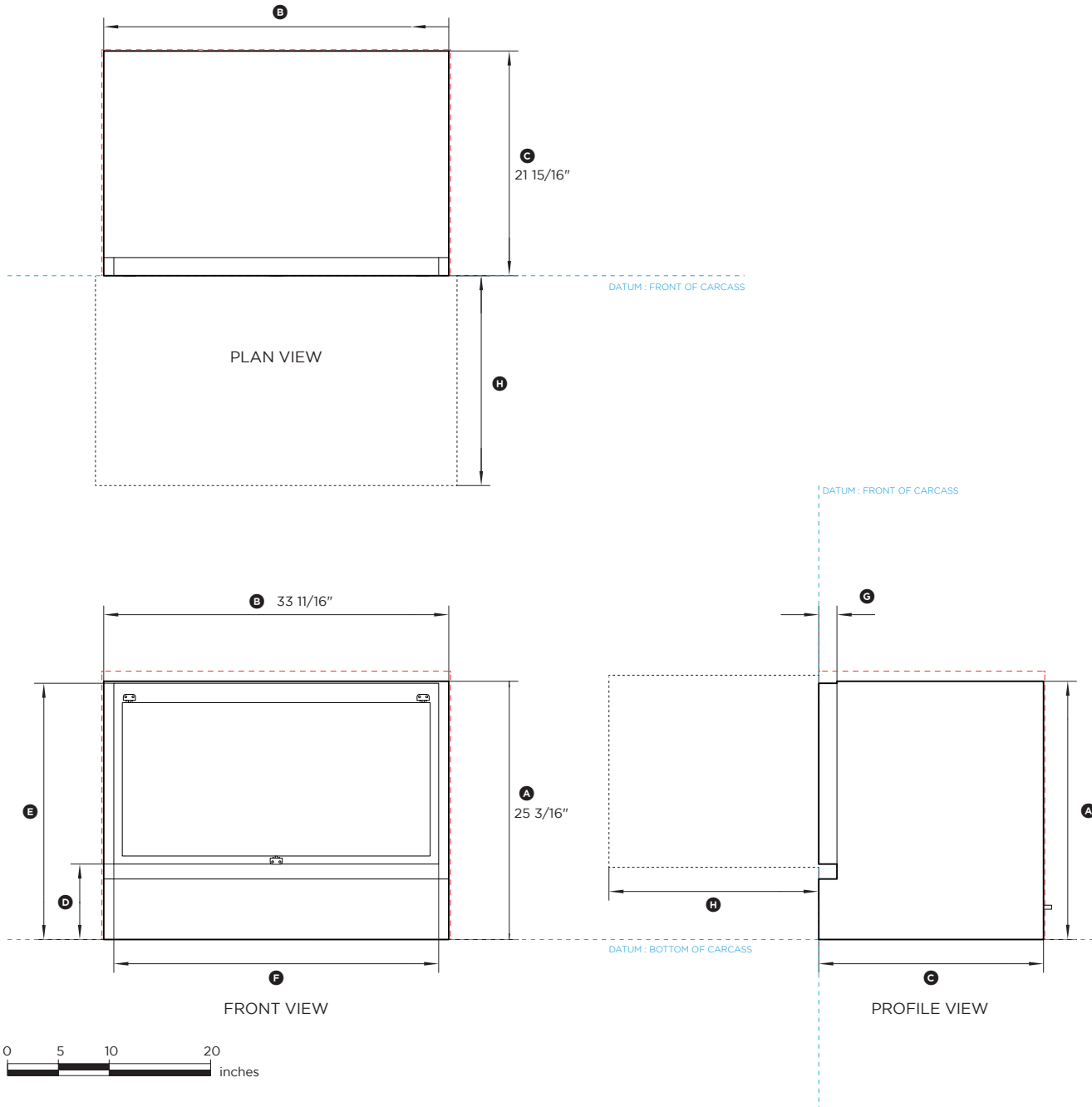
\* Does not include the custom door panel or handle to be manufactured and fitted by cabinetmaker

NOTE: Height of custom panel drawer and false panels can vary depending on door positioning and adjustment

### Minimum Clearances

	in
Minimum inside height of cavity from bottom datum**	26 3/16"
Minimum inside width of cabinetry	34"
Minimum inside depth of cavity from front datum	22 1/16"
Minimum gap between drawer panel to top of custom false panel	3/16"
Minimum height of toe kick	2 15/16"

\* Minimum internal height of cabinetry can be 25 3/16" if outlet duct is not used. Refer to installation guide for details



DATE: 09.02.2024

90003062B

IMPORTANT NOTE: Throughout this guide, dimensions may vary by ±2mm (1/16"). Please read the installation guide for detailed information on installing the product. For full installation instructions & specifications visit [fisherpaykel.com](http://fisherpaykel.com)

# FISHER & PAYKEL

## DATA SHEET

Integrated CoolDrawer™ Multi-temperature Drawer

### Model no:

RB36S25MKIW1

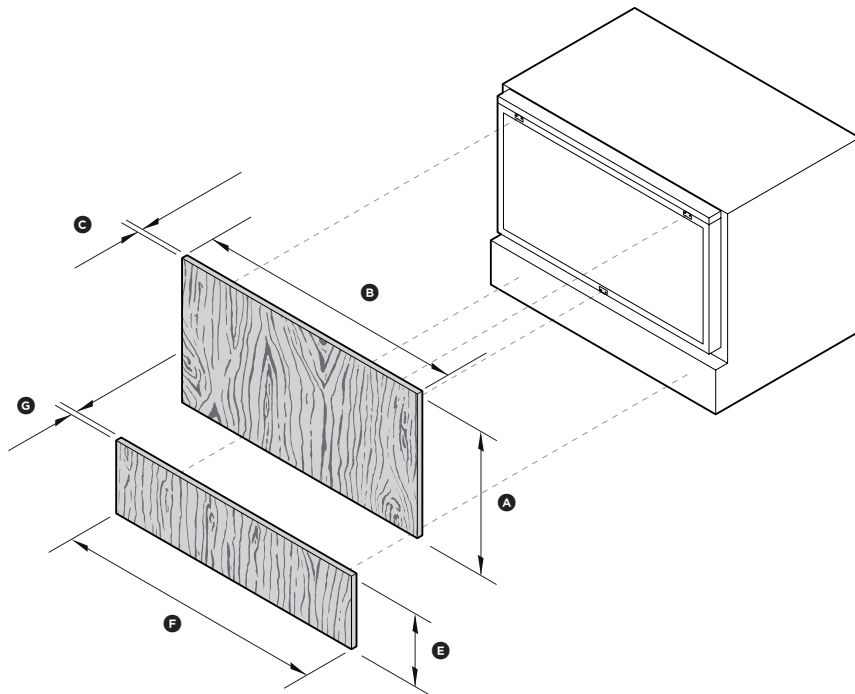
(refer page 5 for metric measurements)

Custom Panel Dimensions	in
Ⓐ Height of custom drawer panel	min. 18 3/4"
Ⓑ Width of custom drawer panel	35 1/4"
Ⓒ Depth of custom drawer panel	5/8" - 13/16"
Ⓓ Gap between panels	3/16"
Ⓔ Height of custom false panel	5 15/16" - 7 1/16"
Ⓕ Width of custom false panel	min. 35 1/4"
Ⓖ Depth of custom false panel	5/8"- 13/16"
Maximum weight of drawer panel**	15 pounds

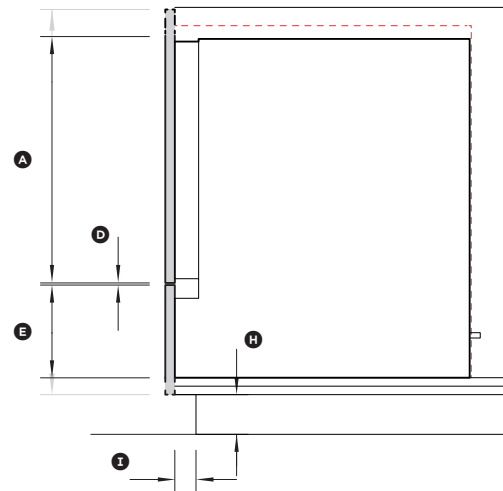
Minimum Clearances	in
Ⓓ Minimum height of toe kick	2 15/16"
Ⓙ Minimum depth of toe kick (not including custom panels)	1 9/16"

NOTE: Custom false panel, drawer panel and handles to be manufactured and fitted by cabinetmaker. These panels must be adequately sealed to withstand moisture (932F @ 80% RH)

\*\* Includes weight of handle



ISO VIEW



PROFILE VIEW



INDICATES CABINETRY CLEARANCES -----

DATE: 09.02.2024

90003062B

IMPORTANT NOTE: Throughout this guide, dimensions may vary by ±2mm (1/16"). Please read the installation guide for detailed information on installing the product. For full installation instructions & specifications visit [fisherpaykel.com](http://fisherpaykel.com)

# FISHER & PAYKEL

## DATA SHEET

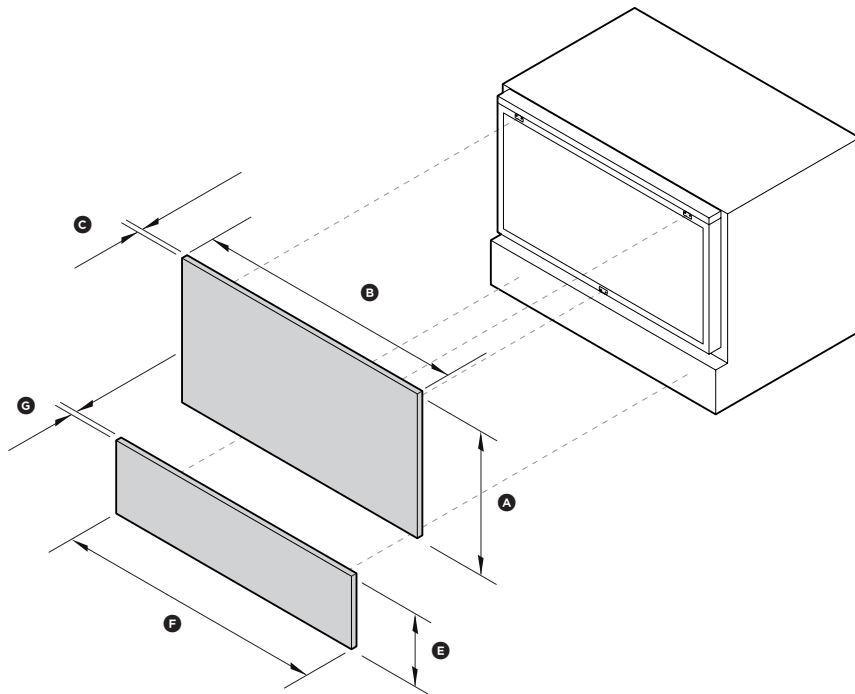
Integrated CoolDrawer™ Multi-temperature Drawer

### Model no:

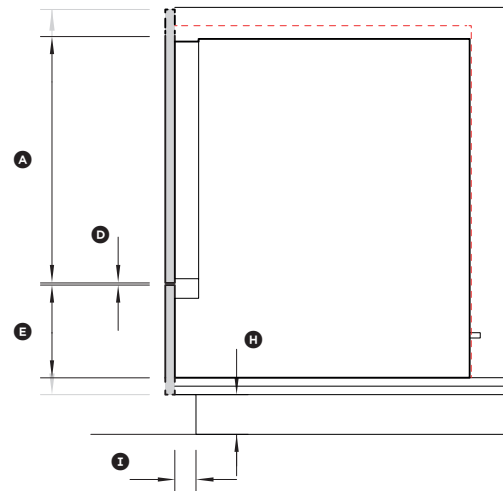
RB36S25MKIW1

(refer page 6 for metric measurements)

Stainless Steel Panel Dimensions	in
Ⓐ Height of custom drawer panel	18 3/4"
Ⓑ Width of custom drawer panel	35 1/4"
Ⓒ Depth of custom drawer panel	11/16"
Ⓓ Gap between panels	3/16"
Ⓔ Height of custom false panel	5 15/16" - 7 1/16"
Ⓕ Width of custom false panel	min. 35 1/4"
Ⓖ Depth of custom false panel	5/8"- 13/16"
Maximum weight of drawer panel**	15 pounds



ISO VIEW



PROFILE VIEW

Minimum Clearances	in
Ⓘ Minimum height of toe kick	2 15/16"
Ⓣ Minimum depth of toe kick (not including custom panels)	1 9/16"

NOTE: Custom false panel, drawer panel and handles to be manufactured and fitted by cabinetmaker. These panels must be adequately sealed to withstand moisture (932F @ 80% RH)

\*\* Includes weight of handle



INDICATES CABINETRY CLEARANCES -----

DATE: 09.02.2024

90003062B

IMPORTANT NOTE: Throughout this guide, dimensions may vary by ±2mm (1/16"). Please read the installation guide for detailed information on installing the product. For full installation instructions & specifications visit [fisherpaykel.com](http://fisherpaykel.com)

# FISHER & PAYKEL

## DATA SHEET

Integrated CoolDrawer™ Multi-temperature Drawer

### Model no:

RB36S25MKIW1

(refer page 1 for imperial measurements)

### Product Dimensions

	mm
Ⓐ Overall height* of CoolDrawer™**	640
Ⓑ Overall width* of CoolDrawer™	855
Ⓒ Depth of CoolDrawer™ chassis (includes power terminal)	557
Ⓓ Height from bottom datum to bottom of drawer front*	154 - 187
Ⓔ Height from bottom datum to top of drawer front*	635
Ⓕ Width of internal drawer front*	805
Ⓖ Depth of internal drawer front*	45
Ⓜ Depth of drawer (open) measured from front datum*	520

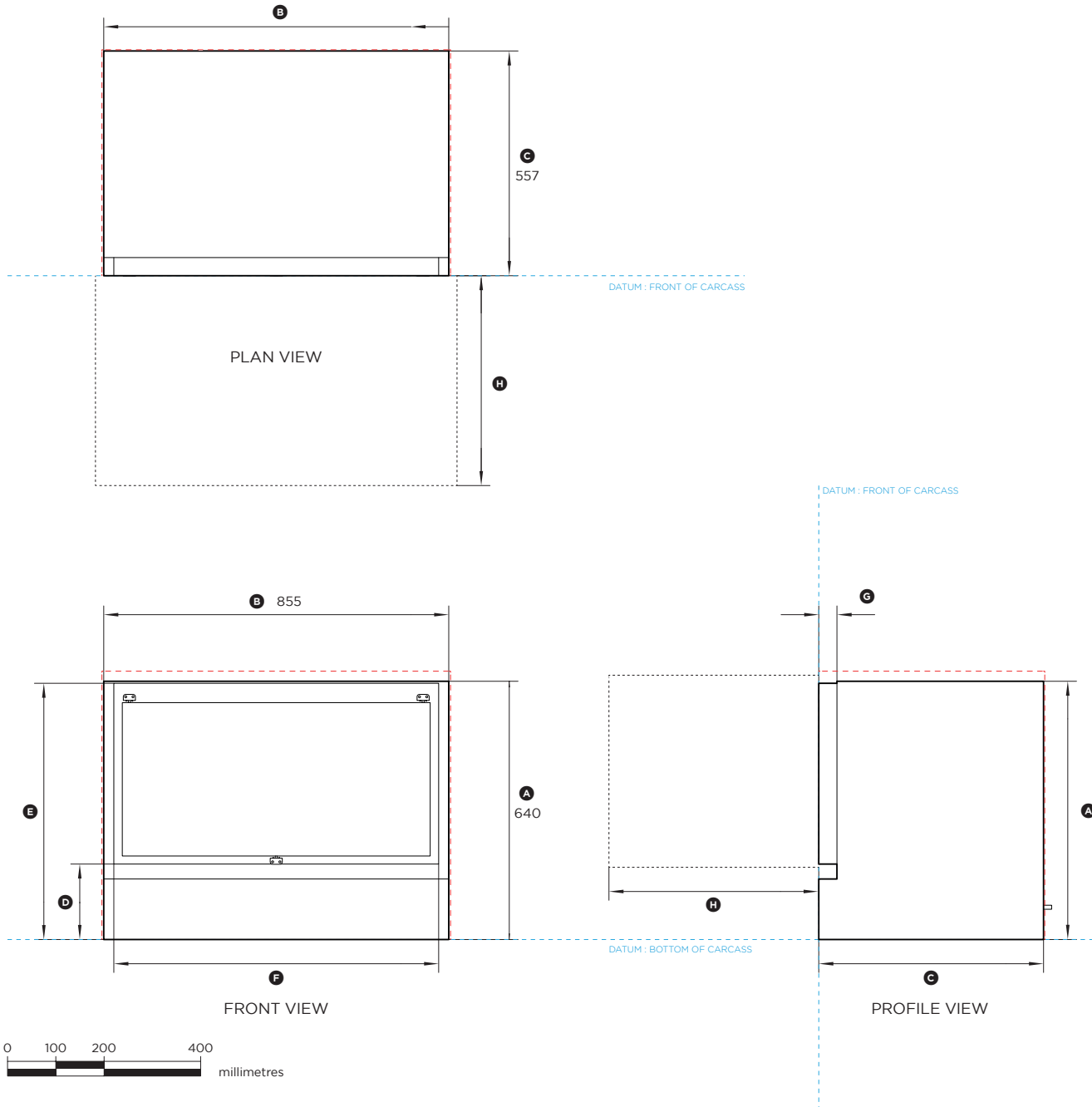
\* Does not include the custom door panel or handle to be manufactured and fitted by cabinetmaker

NOTE: Height of custom panel drawer and false panels can vary depending on door positioning and adjustment

### Minimum Clearances

	mm
Minimum inside height of cavity from bottom datum**	665
Minimum inside width of cabinetry	864
Minimum inside depth of cavity from front datum	560
Minimum gap between drawer panel to top of custom false panel	4
Minimum height of toe kick	75

\* Minimum internal height of cabinetry can be 25 3/16" if outlet duct is not used. Refer to installation guide for details



INDICATES PRODUCT DATUM -----  
INDICATES CABINETS CLEARANCES - - - - -

DATE: 09.02.2024

90003062B

IMPORTANT NOTE: Throughout this guide, dimensions may vary by ±2mm (1/16"). Please read the installation guide for detailed information on installing the product. For full installation instructions & specifications visit [fisherpaykel.com](http://fisherpaykel.com)

# FISHER & PAYKEL

## DATA SHEET

Integrated CoolDrawer™ Multi-temperature Drawer

### Model no:

RB36S25MKIW1

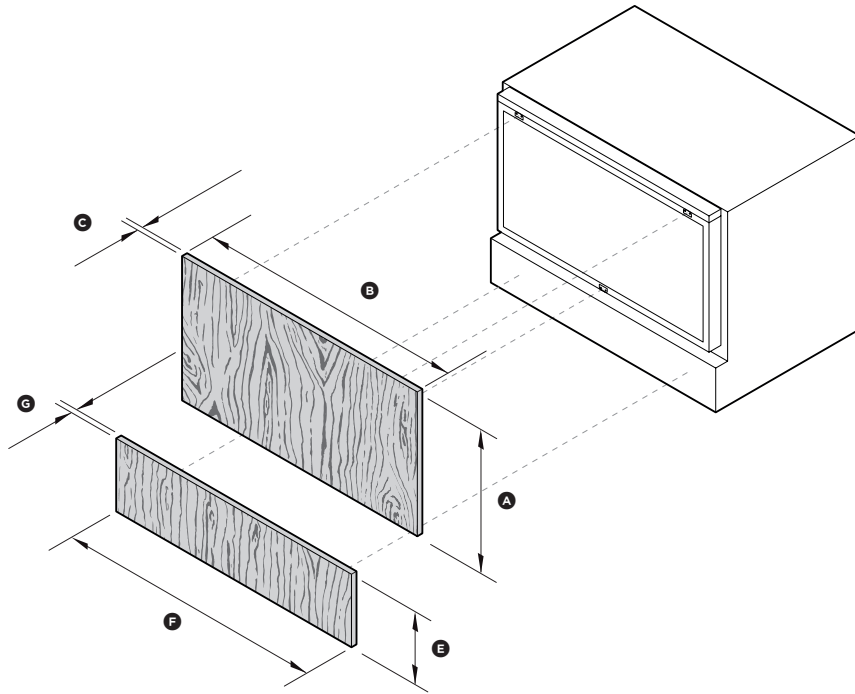
(refer page 2 for imperial measurements)

Custom Panel Dimensions	mm
Ⓐ Height of custom drawer panel	min. 476
Ⓑ Width of custom drawer panel	896
Ⓒ Depth of custom drawer panel	16 - 20
Ⓓ Gap between panels	4
Ⓔ Height of custom false panel	150 - 180
Ⓕ Width of custom false panel	min. 896
Ⓖ Depth of custom false panel	16 - 20
Maximum weight of drawer panel**	7kg

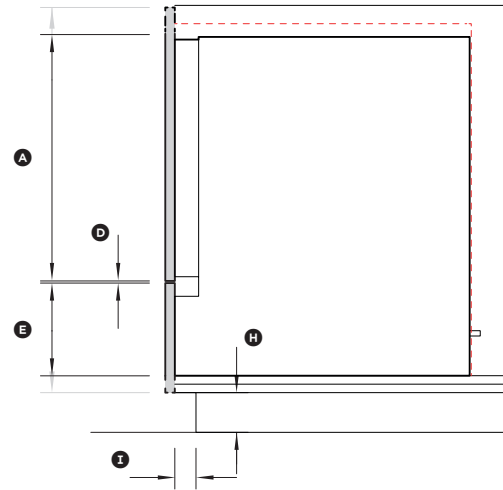
Minimum Clearances	mm
Ⓘ Minimum height of toe kick	75
Ⓢ Minimum depth of toe kick (not including custom panels)	40

NOTE: Custom false panel, drawer panel and handles to be manufactured and fitted by cabinetmaker. These panels must be adequately sealed to withstand moisture (932F @ 80% RH)

\*\* Includes weight of handle



ISO VIEW



PROFILE VIEW



INDICATES CABINETRY CLEARANCES -----

DATE: 09.02.2024

90003062B

IMPORTANT NOTE: Throughout this guide, dimensions may vary by  $\pm 2\text{mm}$  (1/16"). Please read the installation guide for detailed information on installing the product. For full installation instructions & specifications visit [fisherpaykel.com](http://fisherpaykel.com)

# FISHER & PAYKEL

## DATA SHEET

Integrated CoolDrawer™ Multi-temperature Drawer

### Model no:

RB36S25MKIW1

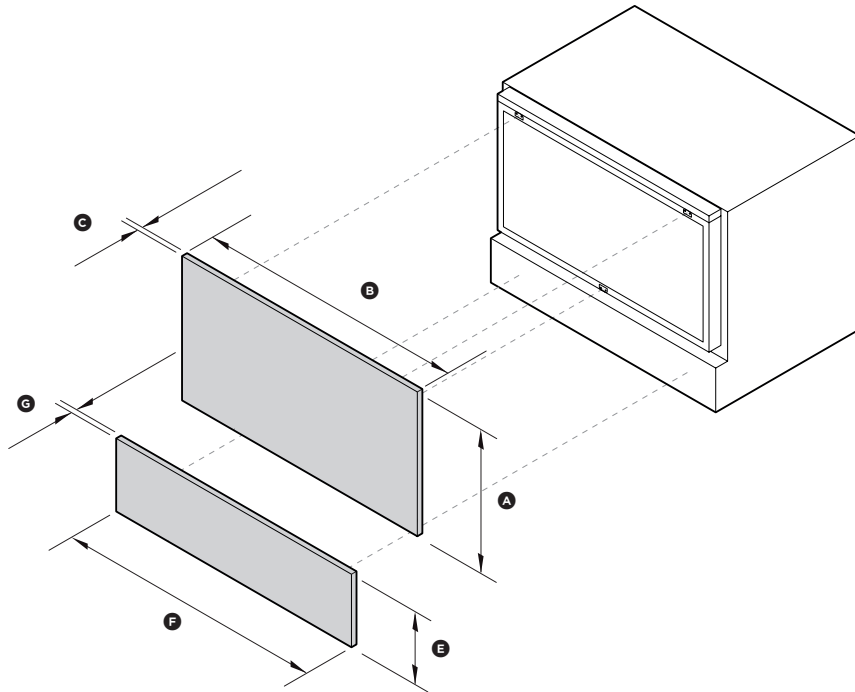
(refer page 3 for imperial measurements)

Stainless Steel Panel Dimensions	mm
Ⓐ Height of custom drawer panel	476
Ⓑ Width of custom drawer panel	896
Ⓒ Depth of custom drawer panel	18
Ⓓ Gap between panels	4
Ⓔ Height of custom false panel	150 - 180
Ⓕ Width of custom false panel	min. 896
Ⓖ Depth of custom false panel	16 - 20
Maximum weight of drawer panel**	7kg

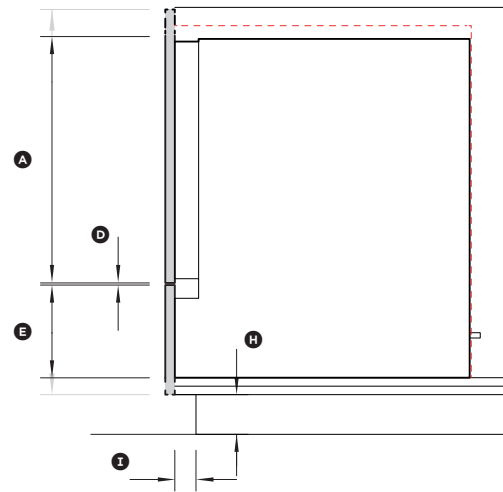
Minimum Clearances	mm
Ⓓ Minimum height of toe kick	75
Ⓙ Minimum depth of toe kick (not including custom panels)	40

NOTE: Custom false panel, drawer panel and handles to be manufactured and fitted by cabinetmaker. These panels must be adequately sealed to withstand moisture (932F @ 80% RH)

\*\* Includes weight of handle



ISO VIEW



PROFILE VIEW



INDICATES CABINETRY CLEARANCES -----

DATE: 09.02.2024

90003062B

IMPORTANT NOTE: Throughout this guide, dimensions may vary by  $\pm 2$ mm (1/16"). Please read the installation guide for detailed information on installing the product. For full installation instructions & specifications visit [fisherpaykel.com](http://fisherpaykel.com)