

# Oven, 24", 7 Function, Self-cleaning

Series 5 | Contemporary

Stainless Steel

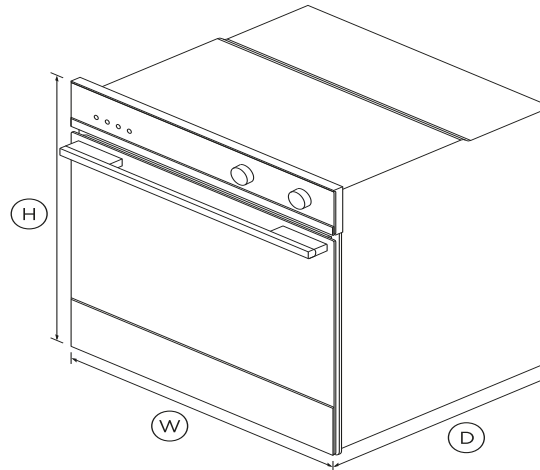


With generous capacity and beautiful contemporary styling, this built-in oven will complement your kitchen design perfectly.

- Three cubic feet total capacity, with seven oven functions including Aero™ Pastry
- Self-cleaning function breaks down food residue for an easy clean
- Moisture control and even heat distribution thanks to ActiveVent™ and AeroTech technology
- Optional non-tip, full-extension sliding shelves for safe removal of hot dishes

## DIMENSIONS

Height	23 9/16"
Width	23 1/2"
Depth	22 1/4"



## FEATURES & BENEFITS

### Generous capacity

With a generous sized internal cavity, you can create several dishes at once using multiple shelves.

### Perfect Results

Our built-in ovens feature ActiveVent technology for optimized moisture levels, and AeroTech™ for even heat distribution. Get perfect results even when you're using multiple shelves.

### Multi-function flexibility

Seven functions including Aero™ Pastry, Aero™ Bake and True Aero™ mean no matter what you're cooking, you've got the right heat to match.

### Seamless fit

Designed to fit seamlessly in your kitchen, this built-in oven fits flush with cabinetry to minimize gaps and add to a cohesive aesthetic.

### Cleaning is simple

<>

### Refined styling

With sophisticated handle styling and stainless steel finish, our built-in ovens are designed to match the rest of Fisher & Paykel's kitchen appliance family.

### Safe and sound

The CoolTouch door features triple glazing and a cooling system that ensures it's safe to touch from the outside – protecting both your hands and the surrounding cabinetry.

## SPECIFICATIONS

### Accessories

Food probe	1
Full extension telescopic	•
Grill pan	1
Meat probe	1
Optional Accessory round	Part 81671
Optional round handle	Part 81645
Step down wire shelf	1

### Capacity

Shelf positions	6
Total capacity	3cu ft

Usable capacity **2.5cu ft**

**Cleaning**

- Acid resistant graphite enamel •
- Removable oven door •
- Removable oven door inner •
- Removable shelf runners •
- Self-clean •

**Controls**

- Audio feedback •
- Automatic cooking/minute •
- Automatic pre-set •
- Celsius/Fahrenheit •
- Electronic capacitive touch •
- Electronic clock •
- Electronic oven control •
- Precise electronic temperature •
- Sabbath mode •
- Soft close doors •
- Turned stainless dials with •

**Functions**

- Aero Bake •
- Aero Broil •
- Aero Pastry •
- Bake •
- Broil •
- Maxi Broil •

- Number of functions **7**
- Rapid proof •
- Roast •
- Self-clean function •
- True Aero •
- Vent bake •
- Warm •

**Performance**

- ActiveVent™ system •
- AeroTech™ technology •
- Automatic rapid pre-heat •
- Broil power **3200W**
- Whisper quiet cooking •

**Power requirements**

- Supply frequency **60Hz**
- Supply voltage **208 - 240V**

**Product dimensions**

- Depth **22 1/4"**
- Height **23 9/16"**
- Width **23 1/2"**

**Safety**

- Advanced cooling system •
- Balanced oven door •
- Catalytic venting system •
- Control panel key lock •
- Non-tip shelves •

---

SKU **82258**

---


The product dimensions and specifications in this page apply to the specific product and model. Under our policy of continuous improvement, these dimensions and specifications may change at any time. You should therefore check with Fisher & Paykel's Customer Care Centre to ensure this page correctly describes the model currently available. ? Fisher & Paykel Appliances Ltd 2020


---

Other product downloads available at [fisherpaykel.com](http://fisherpaykel.com)

 User Guide

 User Guide

 Installation Guide

 Data Sheet Oven



**A PEACE OF MIND SALE**

24 Hours 7 Days a Week Customer Support

T 1.888.936.7872 **W**[www.fisherpaykel.com](http://www.fisherpaykel.com)