

90cm Series 7 Contemporary Oven, 9 Function

Contemporary

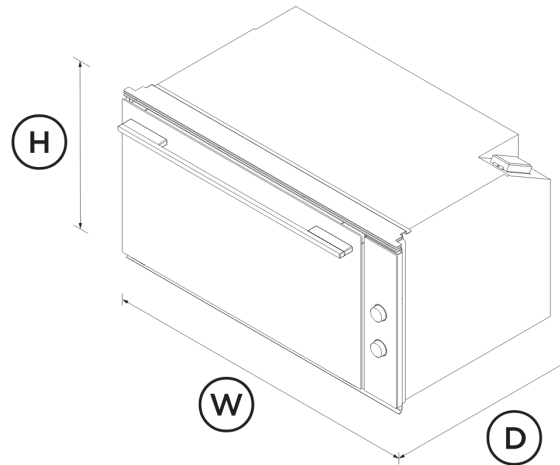


With a large capacity and beautiful contemporary styling, this built-in oven will complement your kitchen design perfectly.

- Generous 100L total capacity, ideal for multi-shelf cooking
- Nine oven functions including Pastry Bake, Roast and Warm
- Built-in professional grade rotisserie

DIMENSIONS

Height	478 mm
Width	895 mm
Depth	564 mm



FEATURES & BENEFITS

Cooking flexibility

This built-in oven has nine functions with pre-set temperatures, including Bake, Pastry Bake and Fan Forced, allowing you to use a variety of cooking styles

Optimal Performance

Oven functions are pre-set with a simple touch of a dial. Enhanced by brilliant lighting and a large viewing window, the need to open the oven door is minimised, ensuring perfect cooking results while maintaining the oven's internal temperature.

Easy Cleaning

This built-in oven has catalytic liners that break down oil and fat splashes during cooking so you don't have to spend hours cleaning.

Generous Capacity

Designed for multi-shelf cooking, this built-in oven provides a 100L total capacity. The wide cavity allows for both side-by-side and multi-shelf cooking.

Safe and Sound

The CoolTouch door, with triple glazing and a cooling system, is safe to touch from the outside, protecting your hands and the surrounding cabinetry. Getting large dishes in and out of the oven is a breeze, thanks to the full telescopic sliding shelves that stay perfectly steady—even when pulled all the way out.

Even cooking

Our ovens feature AeroTech™, a technology that circulates heat evenly, ideal for multi-shelf cooking. The professional-quality rotisserie roasts meat to succulent perfection, and a powerful grill ensures even and quick browning results.

Complementary design

With their premium handle styling and stylish stainless steel finish, our built-in ovens are designed to match the rest of Fisher & Paykel's kitchen appliance family.

SPECIFICATIONS

Accessories (included)

Flat brushed baking tray	1
Grill rack	1 set
Roasting dish	1
Rotisserie set	1
Step down wire shelf	1
Telescopic sliding runners	1 set

Capacity

Total capacity	100 L
Usable capacity	85 L

Cleaning

- Acid resistant graphite enamel
- Drop down grill element
- Removable oven door
- Removable oven door inner glass
- Removable side ladders

Controls

- Audio feedback
- Automatic cooking/minute timer
- Automatic pre-set temperatures
- Electronic capacitive touch controls
- Electronic clock

Functions

- Bake
- Fan bake
- Fan forced
- Fan grill
- Grill
- Pastry Bake
- Roast
- Rotisserie
- Warm

Performance

Grill power	4050 W
-------------	---------------

Power requirements

Amperage	21 A
Supply voltage	220-240 V

Product dimensions

Depth	564 mm
Height	478 mm
Width	895 mm

Safety

- Balanced oven door
- CoolTouch door
- Non-tip shelves

SKU	84898
-----	--------------

The product dimensions and specifications in this page apply to the specific product and model. Under our policy of continuous improvement, these dimensions and specifications may change at any time. You should therefore check with Fisher & Paykel's Customer Care Centre to ensure this page correctly describes the model currently available. © Fisher & Paykel Appliances Ltd 2020

Other product downloads available at fisherpaykel.com

- ↓ [DWG](#)
- ↓ [DXF](#)
- ↓ [Installation Guide \(English\)](#)
- ↓ [Planning Guide \(English\)](#)
- ↓ [Revit](#)
- ↓ [Rhino](#)
- ↓ [SketchUp](#)
- ↓ [User Guide \(English\)](#)

Where applicable:

All appliances use energy, and energy usage typically generates carbon emissions. **Fisher & Paykel Appliances' In-use Energy Carbon Emissions Estimate** indicates carbon emissions from a product's in-use energy. This is calculated either annually or per cycle, using the product's market-specific energy label energy consumption data multiplied by the carbon emissions factor for energy in your country or region.

Our In-use Energy Carbon Emissions Estimate is designed to assist customers in making informed purchasing decisions when comparing different Fisher & Paykel products. For example, a heat pump dryer typically has a lower In-use Energy Carbon Emissions Estimate than a vented dryer.



A PEACE OF MIND SALE
24 Hours 7 Days a Week Customer Support
 T 1300 650 590 [Wwww.fisherpaykel.com](http://www.fisherpaykel.com)