

# Dual Fuel Range, 30", 5 Burners

Series 9 | Professional

Stainless Steel | Natural gas

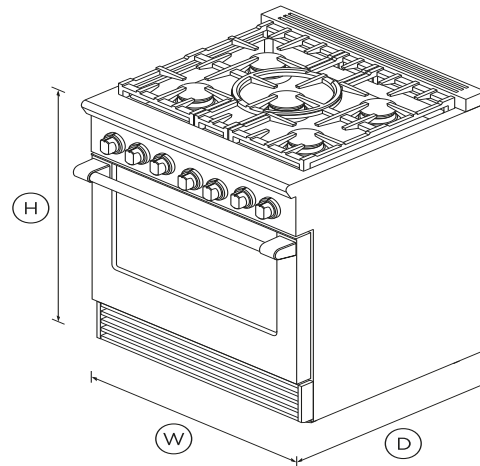


Make a statement in less space, with this powerful gas burner range and spacious convection oven.

- Top burner heat of 23,500 BTU, for seriously fast boiling
- Convection oven with 4 cu ft total capacity
- Non-tip full-extension shelves for safe removal of hot dishes

## DIMENSIONS

Height	35 3/4 - 36 3/4"
Width	29 7/8"
Depth	29 1/8"



## FEATURES & BENEFITS

### Cooktop Power

Sealed Dual Flow Burners™ deliver cooktop power up to 23,500 BTU (NG models) for seriously fast boiling right down to a precise 140°F full surface simmer with the gentlest of flames.

### Total control

Precise control across high and low settings is delivered through the halo-illuminated cooktop dials. The ovens have true convection and electronic oven control for precise and consistent temperatures.

### Consistent broiling

The Dual Fuel Range broiler provides an even heat that covers a very large surface area — perfect for browning a fully loaded oven tray.

### Easy to clean

The Dual Fuel Range oven has a self-cleaning function and removable side racks. The cooktop has sealed burners and an encapsulated cooking surface with a commercial-style stainless steel finish.

### Instant visibility

Control dials have halo-illumination glowing white – heating up; orange – temperature reached; red – self-cleaning mode. The oven is illuminated by two powerful incandescent lights.

### Cooking Flexibility

The cooktop is designed for easy access to any burner with grates you can smoothly slide pots across, while the oven cavity is large enough to allow you to cook multiple dishes at once.

## SPECIFICATIONS

### Accessories (sold separately)

Square handle option	AH-R30
----------------------	--------

### Burner ratings

Maximum burner power	23500 BTU
Power back left	18500BTU
Power back right	18500BTU
Power centre	23500BTU
Power front left	18500BTU
Power front right	18500BTU
Total cooktop power	97500 BTU

### Capacity

Shelf positions	5
Shelf positions (main oven)	5
Total capacity (main oven)	4L

**Cleaning**

Pyrolytic self-clean	•
----------------------	---

**Controls**

Electric circuit	4 wire
Metal illuminated dials	•

**Gas Requirements**

Fitting and pipe	½ NPT, min. ⅝" flex line
Supply Pressure (natural gas)	6" to 9" W.C

**Oven features**

Auto re-ignition system	•
Broil pan	•
Concealed element	•
Electronic oven control	•
Full extension telescopic	•
Internal light	•
True convection	•

**Oven functions**

Bake	•
Broil	•
Clean	•
Convection Broil	•
Convection bake	•

Number of functions	6
True convection	•

**Oven performance**

Bake power	3500W
Broil	4000 BTU
Main oven - True convection	2500W

**Power requirements**

Amperage	30A
Rated current	30A
Supply frequency	60Hz

**Product dimensions**

Depth	29 1/8"
Height	35 3/4 - 36 3/4"
Width	29 7/8"

**Rangetop features**

Sealed range top	•
Vent trim included	•

**Recommended Back Guards Ventilation**

Combustible situation	BGRV2-3030H
Minimum CFM	600
Non combustible situation	BGRV2-3030 / BGRV2-1230
Recommended hood	HCB30-6_N (Professional)

**Safety**

Full extension telescopic	•
---------------------------	---

SKU	71374
-----	-------

The product dimensions and specifications in this page apply to the specific product and model. Under our policy of continuous improvement, these dimensions and specifications may change at any time. You should therefore check with Fisher & Paykel's Customer Care Centre to ensure this page correctly describes the model currently available. Fisher & Paykel Appliances Ltd 2020

**Where applicable:**

All appliances use energy, and energy usage typically generates carbon emissions. **Fisher & Paykel Appliances' In-use Energy Carbon Emissions Estimate** indicates carbon emissions from a product's in-use energy. This is calculated either annually or per cycle, using the product's market-specific energy label energy consumption data multiplied by the carbon emissions factor for energy in your country or region.

Our In-use Energy Carbon Emissions Estimate is designed to assist customers in making informed purchasing decisions when comparing different Fisher & Paykel products. For example, a heat pump dryer typically has a lower In-use Energy Carbon Emissions Estimate than a vented dryer.

---

Other product downloads available at [fisherpaykel.com](https://fisherpaykel.com)



Service & Warranty



User Guide EN



Installation Guide EN / Guide d'installation FR



Data Sheet Dual Fuel Range



Planning Guide Dual Fuel Range



**A PEACE OF MIND SALE**

24 Hours 7 Days a Week Customer Support

T 1.888.936.7872 **W**[www.fisherpaykel.com](https://www.fisherpaykel.com)