

# Integrated Column Refrigerator, 30", Water

Series 11 | Integrated

Panel Ready | Left hinge

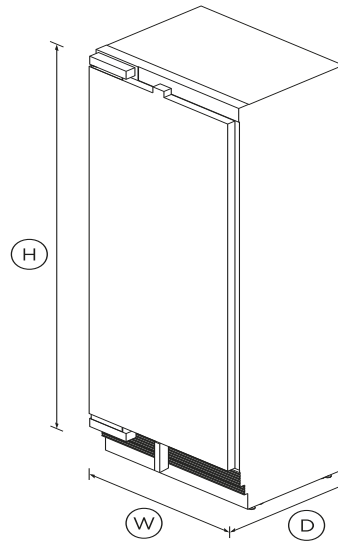


Install it separately or pair with another Column for seamless integration – this model is left hinge with stainless steel interior.

- ActiveSmart™ technology helps keep food fresher for longer by constantly maintaining the ideal temperature
- Two separate Variable Temperature Zones. Choose from Fridge, Pantry or Chill
- Internal water dispenser for convenient access to fresh, chilled water
- Customize with your own kitchen cabinetry or purchase our stainless steel door panel accessory

## DIMENSIONS

Height	84"
Width	29 3/4"
Depth	24"



## FEATURES & BENEFITS

### Variable temperature zones

Create the perfect climate by storing food at their optimal temperature. Change a compartment to Fridge, Pantry or Chill.

### Internal water dispenser

This integrated model features a slimline water dispenser, located on the inside for an uninterrupted exterior. The flush-fit design of the water dispenser maximizes internal storage space, allowing the shelves to be adjusted to suit your needs. Enjoy a

continuous flow of temperature-controlled chilled water to fill almost any size or shape of vessel.

### Appealing illumination

Bright LEDs light up the ceiling, shelves, bins and trays in both refrigerator and freezer, creating a welcoming glow in your kitchen at night and using less power than comparable halogen lights.

### Mix & match

Integrated Column Refrigeration gives you the freedom to mix and match refrigerators and freezers based on your needs – or install separately. They can be customized with your kitchen cabinetry for a seamless look, or finished with one of our stainless steel door panels.

### Clever energy

ActiveSmart™ makes your refrigerator more energy efficient – adapting to daily use and cooling and defrosting only when needed. This means it uses the energy it needs without compromising on food care.

### Design quality

The premium design and quality finish includes a white or stainless steel interior lining, as well as full-extension metal shelf runners for easy access and robust glass shelving.

### Perfect fit

Create an understated and clean look in any kitchen. You can hide our Integrated Column models seamlessly behind your cabinetry, fitting flush with only a 1/8" gap and no visible hinges or grilles.

## SPECIFICATIONS

### Accessories (sold separately)

Door panel stainless steel	<b>30" Left hinge RD3084L4D</b>
Handle kit Contemporary	<b>AHS-RD84</b>
Handle kit Contemporary	<b>AHD5RDSF</b>

Handle kit Contemporary	AHD5RDSFB	Covered door shelves	1	Width	29 3/4"	
Handle kit Contemporary	AHD3-RD84	Door alarm	•	<hr/>		
Handle kit Professional round	AHC-RD84	Gallon door shelves	1	<b>Product information</b>		
Handle kit Professional round	AHP3RDSF	Internal water dispenser	•	Packaged weight	309lbs	
Handle kit Professional square	AHV2-RD84	LED bin lighting	•	Unpackaged weight	294lbs	
Joiner kit	AJ-RS84LR	LED ceiling lighting	•	<hr/>		
Toe kick stainless steel 30"	AKRS3004	LED lighting	•	<b>Warranty</b>		
Toe kick stainless steel 48"	AKRS4804	LED side lighting	•	Parts and labour	2 years	
Toe kick stainless steel 54"	AKRS5404	SmartTouch interface at	•	Sealed system parts and labor	additional 3 years	
Toe kick stainless steel 60"	AKRS6004	Soft-close fruit and vegetable	•	<hr/>		
Toe kick stainless steel 66"	AKRS6604	Stackable bottle holders	4	SKU	26168	
Toe kick stainless steel 72"	AKRS7204	<b>Performance</b>			<hr/>	
Toe kick stainless steel 78"	AKRS7804	ActiveSmart™ Foodcare	•	The product dimensions and specifications in this page apply to the specific product and model. Under our policy of continuous improvement, these dimensions and specifications may change at any time. You should therefore check with Fisher & Paykel's Customer Care Centre to ensure this page correctly describes the model currently available. ? Fisher & Paykel Appliances Ltd 2020		
Toe kick stainless steel 84"	AKRS8404	Dual evaporator	•			
Water filter replacement	847200 - FWC3	Humidity control system	•			
<b>Capacity</b>			Inverter controlled compressor			•
Total gross capacity	16.3cu ft	Sabbath mode	•			
Volume	16.3cu ft	Variable food modes lower	Pantry; Fridge; Chill			
Volume refrigerator	16.3cu ft	Variable food modes upper	Pantry, Fridge			
<b>Consumption</b>			Variable temperature zones	2	<hr/>	
Energy rating	Energy star	<b>Power requirements</b>				
Energy usage	247kWh/year	Rated current	10A			
In-use energy carbon	30.5kgCO2e/year	Supply frequency	60Hz			
<b>Features</b>			Supply voltage	115V	<hr/>	
Adjustable door shelves	4	<b>Product dimensions</b>				
Adjustable glass cantilevered	•	Depth	24"			
Adjustable glass shelves	2	Height	84"			



**A PEACE OF MIND SALE**

24 Hours 7 Days a Week Customer Support

T 1.888.936.7872 W [www.fisherpaykel.com](http://www.fisherpaykel.com)

Other product downloads available at [fisherpaykel.com](http://fisherpaykel.com)

- [↓](#) Energy Label
- [↓](#) User Guide EN
- [↓](#) Guide d'utilisation FR
- [↓](#) Service & Warranty
- [↓](#) Water Filter Replacement Instructions & Installation Guide EN
- [↓](#) Guide d'installation - Instructions de Remplacement du Filtre à Eau FR
- [↓](#) Guide d'installation FR
- [↓](#) Installation Guide
- [↓](#) Installation Guide Toe Kick
- [↓](#) Specification Guide Integrated Column Refrigerator
- [↓](#) Data Sheet Integrated Column Refrigerator
- [↓](#) Data Sheet Integrated Column Refrigerator Dual Install (18" + 30")
- [↓](#) Data Sheet Integrated Column Refrigerator Dual Install (24" + 30")
- [↓](#) Data Sheet Integrated Column Refrigerator Dual Install (30" + 30")
- [↓](#) Planning Guide Integrated Columns
- [↓](#) Key Purchase Decisions Integrated Columns
- [↓](#) Planning Guide Professional Style Dial/Handle Accessories