

Freestanding Refrigerator Freezer, 32", 17.1 cu ft

Series 5 | Contemporary

Stainless Steel | Right Hinge

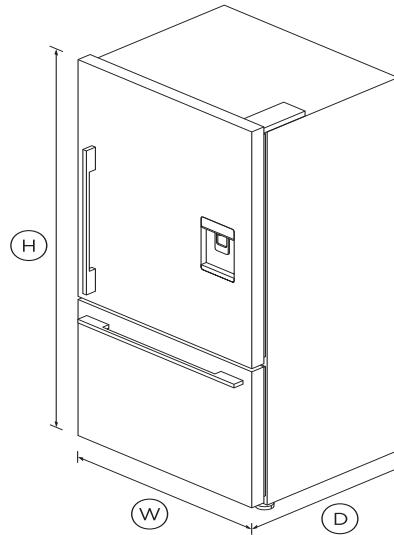


This stylish right hinge refrigerator has a large capacity and comes in timeless stainless steel.

- Brushed metal handles
- ActiveSmart™ helps keep food fresher for longer
- Bottom freezer drawer

DIMENSIONS

Height	67 3/4"
Width	31 1/8"
Depth	27 3/8"



FEATURES & BENEFITS

ACTIVESMART™ FOODCARE

ActiveSmart™ Foodcare learns how you live. It's technology which understands how you use your refrigerator and adjusts temperature, airflow and humidity inside to help keep food fresher for longer.

EASY CLEANING

No more permanent dirty marks with our EZKleen feature for stainless steel refrigerators. Anti-fingerprint coating means you simply wipe clean any marks. Spill-safe secure glass shelves

easily capture any drips or leaks.

DESIGN QUALITY

Our refrigerators are designed and built using quality materials. We use real stainless steel on our refrigerators and solid glass for shelving.

SIMPLE STORAGE

There are multiple storage options for you to choose from. Different sized adjustable shelves and door storage give you plenty of room to stack and pack all your groceries. Storage bins give you full access inside when they're pulled open and can be easily removed to clean.

CLEVER ENERGY

Your refrigerator adapts to daily use by cooling and defrosting only when needed. This means your refrigerator uses the energy it needs without compromising on food care.

SPECIFICATIONS

Accessories

Contemporary round handle	25379
Joiner kit	819264
Surround Kit (Joined left/right)	Part number 24476
Surround Kit (Right Hand)	24475

Capacity

Volume freezer	4.8cu ft
Volume refrigerator	12.3cu ft

Consumption

Energy usage	452kWh/year
--------------	-------------

Features

Adjustable door shelves	4
Adjustable glass shelves	4
Covered door shelves	2
Door alarm	•
Fruit and vegetable bins	2
SmartTouch control panel	•
Stackable bottle holders	2
Wi-Fi connectivity	•

Freezer Features

Bottle chill	•
Fast freeze	•
Large plastic bins	•

Performance

ActiveSmart™ Foodcare	•
Adaptive defrost	•
Frost free freezer	•
Humidity control system	•
Sabbath mode	•

Product dimensions

Depth	27 3/8"
Height	67 3/4"
Minimum air clearance - at rear	1 3/16"
Minimum air clearance - each	1 3/16"
Width	31 1/8"

Warranty

Parts and labor	2 years
-----------------	---------

Sealed system parts and labor **additional 3 years**

SKU 26299

The product dimensions and specifications in this page apply to the specific product and model. Under our policy of continuous improvement, these dimensions and specifications may change at any time. You should therefore check with Fisher & Paykel's Customer Care Centre to ensure this page correctly describes the model currently available. ? Fisher & Paykel Appliances Ltd 2020

Other product downloads available at fisherpaykel.com

- [↓](#) User Guide
- [↓](#) Energy Label
- [↓](#) Service & Warranty
- [↓](#) Installation Guide
- [↓](#) Installation Guide - Quick Reference
- [↓](#) Installation Guide - Joiner Kit
- [↓](#) Data Sheet Freestanding Refrigerator Freezer



A PEACE OF MIND SALE

24 Hours 7 Days a Week Customer Support

T 1.888.936.7872 **W**www.fisherpaykel.com