

**FISHER & PAYKEL**

**SLIDE-IN WINE CABINET**



RS60RDWX1 model

**INSTALLATION GUIDE / USER GUIDE**

**GB IE**



# CONTENTS

---

Introduction	3
Safety and warnings	4
Installation instructions	8
Moving or storing your appliance	12
Operating instructions – Internal control panel	13
Operating instructions – Special functions	14
Interior and exterior features	15
Storing your wine	16
Loading your wine bottles	17
Cleaning care – Exterior	18
Cleaning care – Interior	19
User warnings and sounds	20
Troubleshooting	21
Manufacturer’s Warranty	23
Customer Care	25
European Directive 2012/19/EU on Waste Electrical and Electronic Equipment (WEEE)	26
Product fiche	27

---

## **IMPORTANT!**

### **SAVE THESE INSTRUCTIONS**

The models shown in this user guide may not be available in all markets and are subject to change at any time. For current details about model and specification availability in your country, please go to our website [fisherpaykel.com](http://fisherpaykel.com) or contact your local Fisher & Paykel dealer.

Note: the word “cabinet”, throughout this user guide, refers to the combination of upper and bottom zone products.

## **Registration**

Register your product with us so we can provide you with the best service possible.

To register your product visit our website: [fisherpaykel.com](http://fisherpaykel.com)



# INTRODUCTION

Thank you for purchasing a Fisher & Paykel Wine Cabinet to store your treasured wine, you've made a great choice.

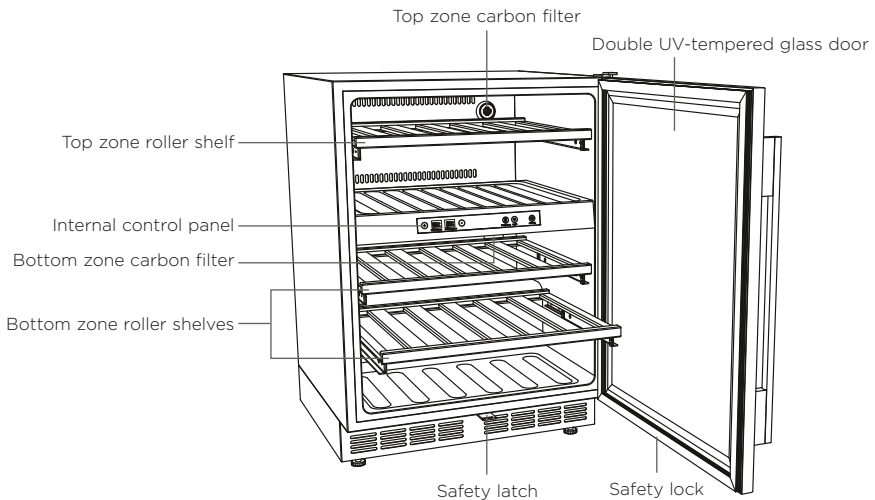
Having purchased our dual-zone cabinet you can rest assured that your red and white wines are well cared for, over short term and long term periods.

Wine generally matures at a steady temperature between 11°C to 13°C, and for ready to drink wines they are best served at their ideal drinking temperatures (see 'Storing your wine' section). Temperature control is critical for the maturation of wines, as significant daily or weekly temperature fluctuations can denature wines. If storage temperatures are excessively high this can reduce the wine's aromatic potential and can speed up maturation. This can cause some wines to take on a 'spoiled fruit' flavouring. If storage temperatures are excessively low, this can have the opposite effect and stunt a wine's natural maturation process. This can prevent a wine's flavour from developing to full potential.

Optimum humidity levels are also important for the storage of cork-enclosed wines, especially for long term storage. Dry surroundings can lead to dried out corks encouraging wine evaporation, as well as oxygen permeation leading to oxidised wine. As for extremely humid conditions, there is a potential of damaging wine labels and the growth of mould on bottles.

Light is known to be damaging to wines, particularly UV light as it creates hydrogen sulphide compounds in wine affecting the tannins and colour. Therefore our Wine Cabinets are designed to eliminate this threat by incorporating a double UV-tempered glass door, dark interiors and dimmed LED lighting.

Other golden rules of excellent wine storage that your Wine Cabinet offers are frequent air circulation, condensation eliminator and minimal vibrations with the low noise compressor.



RS60RDWX1 model

**⚠ WARNING!**



**Electric Shock Hazard**

**Read and follow the safety and warnings outlined in this user guide before operating this appliance.**

**Failure to do so can result in death, electric shock, fire or injury to persons.**



**R600a**

**This Wine Cabinet contains flammable refrigerant isobutane (R600a).**

**Use this appliance only for the intended purpose as described in the user guide.**

## **IMPORTANT SAFETY INSTRUCTIONS:**

### **WARNING!**

**When using this appliance always exercise basic safety precautions including the following:**

- **Persons aged 8 years and over, and persons with reduced physical, sensory or mental capabilities; or those with lack of experience and knowledge; can use this appliance provided they are supervised or have been given instruction for safe use.**
- **All users must understand the hazards involved.**
- **Children should not play with the appliance and should not carry out user maintenance without supervision.**
- **To ensure the appliance is stable under all conditions, we recommend installing a stability bracket. Please refer to the 'Installation instructions' leaflet supplied.**

- **Keep ventilation openings, in the appliance enclosure or in the built-in structure, clear of obstruction.**
- **Do not damage the refrigerant circuit.**
- **In case of damage to the refrigerant circuit, ventilate the area by opening all windows. Do not operate electrical equipment or any other equipment that may produce arcs, sparks or flames in the area. Contact your Fisher & Paykel trained and supported service technician immediately to arrange for the appliance to be repaired.**

### **Food safety**

- **This appliance is intended to be used exclusively for the storage of wine.**
- **Do not store food and milk products in the Wine Cabinet. The interior temperature may not be cool enough to prevent spoilage in food, and the expiry dates stated on the food packaging may be invalid.**

### **Electrical safety**

- **This appliance must be installed in accordance with the installation instructions before use.**
- **Always grip the plug firmly and pull straight out from the outlet.**
- **Do not plug in any other appliance at the same power point as your Wine Cabinet.**
- **Repair or replace immediately all electric service cords that have become frayed or otherwise damaged. Do not use a cord that shows cracks or abrasion along its length, or at either the plug or appliance end.**
- **If the power supply cord is damaged, it must only be replaced by your Fisher & Paykel trained and supported service technician.**

- **When moving your appliance, be careful not to roll over or damage the power cord.**
- **Do not use electrical appliances inside the Wine Cabinet.**
- **Do not use mechanical devices or other means to accelerate the defrosting process, other than those recommended by the manufacturer.**

### **IMPORTANT!**

**Your Wine Cabinet is designed to operate without the need for regular service checks. However, if your Wine Cabinet is malfunctioning, have it attended to by your Fisher & Paykel trained and supported service technician as soon as possible.**

### **Cleaning**

- **Many commercially available cleaning products contain solvents which may attack plastic components of your Wine Cabinet and cause them to crack. Please refer to the 'Cleaning care' section of this user guide for further advice.**

### **Disposal and recycling**

- **Extreme care must be taken when disposing your old appliance to avoid hazards:**
  - **The flammable refrigerant gas must be safely removed.**
  - **The thermal insulation foam contained in this appliance is produced by flammable blowing gases, any exposed foam may be highly flammable and must be carefully treated during disposal.**
  - **The doors should be removed, if possible and the shelves left in place so that children may not easily climb inside.**



- **Your Fisher & Paykel trained and supported service technician will be able to give advice on environmentally friendly methods of disposing your old Wine Cabinet.**

### **Storing wine**

- **DO NOT store explosive substances such as aerosol cans with a flammable propellant in this appliance.**
- **Never store volatile or flammable materials in your Wine Cabinet as they may explode.**

### **Power failure**

- **In the event of a power interruption, the Wine Cabinet will automatically save the current temperature settings. When power is recovered, the Wine Cabinet will revert to the current temperature settings only.**
- **Most power failures are corrected within a short period of time. 1 - 2 hours loss of power will not affect the Wine Cabinet's temperatures.**
- **To avoid sudden change of temperature while the power is off, you should avoid opening the door. For longer periods of power failure, do take steps to protect your wine.**

# INSTALLATION INSTRUCTIONS

Please follow the installation steps below to ensure your appliance operates correctly.

## **Power**

- The appliance must be installed so the plug is accessible.
- To ensure that the appliance is not accidentally switched off, connect your Wine Cabinet to its own power point. Do not plug in any other appliance at this power point.
- For power requirements, please refer to the serial plate located on the rear of the cabinet.
- It is essential that the appliance is properly grounded (earthed).
- Connect the appliance to the electrical supply (220 V – 240 V 50Hz) with the fitted plug and lead.
- Connections to the mains supply should be in accordance with local regulations.

## **Location**

- Your Wine Cabinet should not be located in direct sunlight or next to any heat generating appliance such as a cooktop, oven or dishwasher.
- The appliance should not be located in garages or on carpeted floors.
- This appliance is intended to be used in indoor ambient temperatures between 16°C and 25°C. Do not operate this appliance outside the specified ambient ranges as performance may be compromised.

## **Ventilation and installation**

To ensure adequate ventilation for your Wine Cabinet, see 'Product and cabinetry dimensions'.

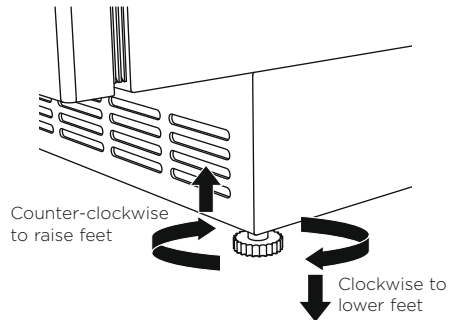
# INSTALLATION INSTRUCTIONS

## Product installation

- Your Wine Cabinet will arrive with the front feet raised to make moving the product into its final location a simple task.
- Avoid moving the product in a sideways direction as this may damage the floor covering/surface.
- Move the Wine Cabinet into its final position making sure there are correct clearances between the product and surrounding cabinetry.

## Levelling your Wine Cabinet

- It is important that all four corners of the Wine Cabinet base are supported firmly on the floor to eliminate any cabinet movement.
- Installing the appliance on a soft or uneven/unlevelled floor may result in twisting of the cabinet and poor sealing of the door.
- This Wine Cabinet has four adjustable feet, which can be used to level the appliance.
- The front levelling foot on the hinge side should take majority of the cabinet's weight and be stable, i.e. the cabinet should not rock or wobble.



## Before placing wine in your Wine Cabinet

- Remove all internal packaging.
- Clean the inside of the appliance to remove manufacturing and transportation dust. Please refer to the 'Cleaning care' section of this user guide for further advice.
- Allow the Wine Cabinet to run empty for 1 - 2 hours, this allows the appliance to acclimatise and remove any residual odours before making temperature adjustments.

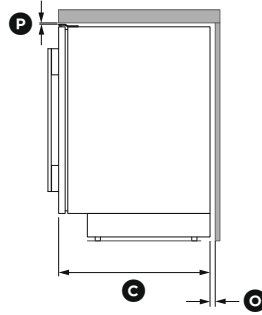
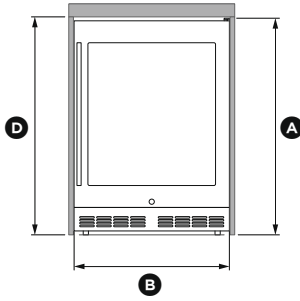
## Energy efficiency

For the most energy efficient use of your appliance:

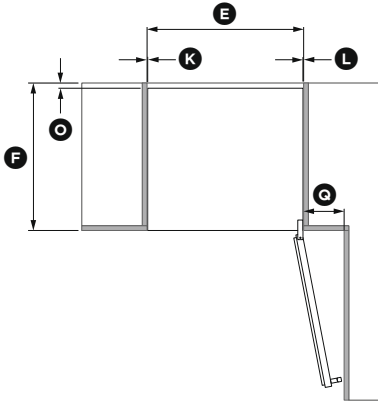
- Ensure your Wine Cabinet has adequate ventilation as recommended in the installation instructions.
- Avoid overcrowding shelves, as this reduces airflow.
- Keep door openings to a minimum.

# INSTALLATION INSTRUCTIONS

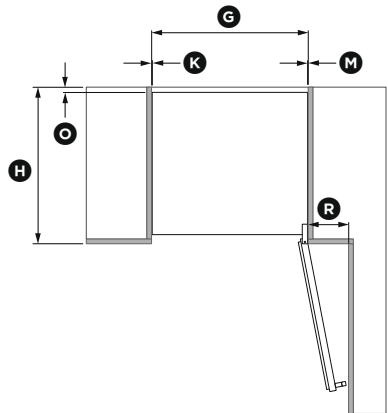
## Product and cabinetry dimensions



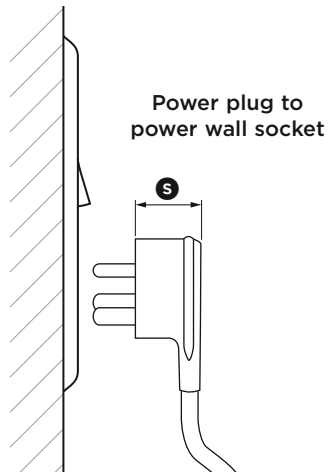
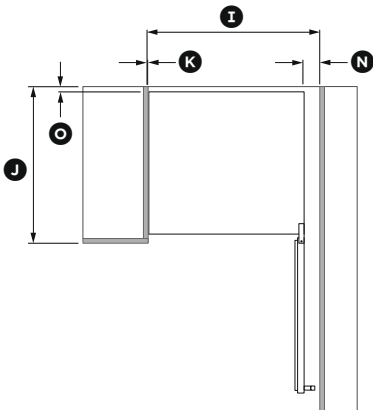
Flush with Wine Cabinet chassis  
- full door rotation



Flush with Wine Cabinet door  
- full door rotation



Flush with Wine Cabinet door  
- 90° door rotation



# INSTALLATION INSTRUCTIONS

		<b>RS60RDWX1</b>
<b>PRODUCT DIMENSIONS</b>		<b>mm</b>
(A)	Overall height of product	830
(B)	Overall width of product	595
(C)	Overall depth of product (excludes handle, includes back cover)	580
<b>CABINETRY DIMENSIONS (Including minimum air clearances)</b>		<b>mm</b>
(D)	Inside height of cavity	835
<b>Flush with Wine Cabinet chassis - full door rotation</b>		
(E)	Inside width	600
(F)	Inside depth	565
<b>Flush with Wine Cabinet door - full door rotation</b>		
(G)	Inside width	600
(H)	Inside depth flush to flat door (when not plugged at rear of product)	600
<b>Flush with Wine Cabinet door - 90° door rotation (for full shelf access, the door needs to be open past 90°)</b>		
(I)	Inside width	688
(J)	Inside depth flush to flat door	600
<b>MINIMUM CLEARANCES</b>		<b>mm</b>
(K)	Side clearance	2.5
(L)	Side clearance - hinge side flush with chassis - full rotation	2.5
(M)	Side clearance - hinge side flush with door - full rotation	2.5
(N)	Side clearance - hinge side flush with door - 90° rotation	90.5
(O)	Rear clearance (includes back cover)	20
(P)	Top clearance - above Wine Cabinet	5
(Q)	Door clearance - hinge side flush with chassis - full rotation	155
(R)	Door clearance - hinge side flush with door - full rotation	155
<b>MINIMUM POWER PLUG DIMENSIONS</b>		<b>mm</b>
(S)	Power plug depth	30

## MOVING OR STORING YOUR APPLIANCE

---

If your Wine Cabinet is turned off for any reason, wait 10 minutes before turning it back on. This will allow the refrigeration systems pressures to equalise before restarting.

### **Moving your appliance**

- Turn off the appliance and unplug from the power point. Remove all wine bottles.
- Turn the adjustable feet counter-clockwise to lower the product, making sure the feet are wound up into the product.
- Ease the appliance out of its position. Tape the power cord to the back of the Wine Cabinet, tape the shelves in place and tape the door closed.
- Always move the appliance vertically. Do not transport the product lying down, this potentially damages the sealed cooling system.
- Relocate and install. If the appliance has been left on its side for any length of time, leave it standing upright as long as possible (at least a few hours) before turning it on.
- If the product has been transported upright then it can be switched on after 10 minutes.

### **Storing your Wine Cabinet**

- When storing your cleaned appliance, leave the door open. This allows air to circulate and prevents the build-up of bacteria and moulds.
- Before using again, clean well using liquid dishwashing detergent dissolved in warm water. Rinse with clean water and dry with a lint-free cloth.

### **Holiday time**

We recommend you leave your Wine Cabinet operating while you are on holiday.

# OPERATING INSTRUCTIONS - INTERNAL CONTROL PANEL

The control panel enables you to view and modify all the features and options on your Wine Cabinet.


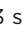

## Temperature control

- When the Wine Cabinet is turned on for the first time, the control panel will display the actual temperature of the cabinet.
- The system will automatically cool both zones to their default temperature setting of 12°C (ideal for long term storage). This will take between 1 – 2 hours.
- The temperature zones are independently controlled and do not change with the temperature or humidity of the surrounding; whether summer or winter.
- The Wine Cabinet can be set to any temperature between 5°C and 20°C in each zone to accommodate your wine storage requirements.
- If you wish to alter the temperature of either zone, this can be easily done by using the internal control panel.

## Internal control panel



## Adjusting the temperature of each zone

- ① Press and hold the 'Temp Zone'  button for 3 seconds. The zone temperature blinking on the display will indicate whether the upper or bottom zone is selected.
- ② To change zones press the 'Temp Zone'  button once.
- ③ The temperature may be altered by pressing the + or - buttons. One press on either of these buttons will increase or reduce the temperature by one °C or °F. When the desired temperature is displayed, wait 5 seconds, the blinking will stop and the temperature will be set.
- ④ To switch between temperature units of °C and °F, press and hold the 'Light'  icon for 3 seconds.



### Special functions



#### LED lighting



When the Wine Cabinet door is open the light automatically illuminates both zones. When the door is closed the light will automatically turn off. For maximum energy savings, it is recommended to leave the light off when not viewing your collection.

To keep the light illuminated at all times (on door opening and closing):

- Press the 'Light'  button once.
- To deactivate the light from illuminating when not viewing your collection, press the 'Light'  button once.


#### Power

This model is equipped with Standby mode and may be activated when the cabinet is not in use. Before activating this mode ensure all wine bottles are removed.

- To activate press the 'Power'  button once. The internal control panel and LED lights will no longer illuminate.
- To deactivate Standby mode press the 'Power'  button once. The internal control panel and LED lights will illuminate, and revert to the current temperature settings only.

#### Door alarm

A continuous alarm will sound if the cabinet door has been left open for longer than 60 seconds. The alarm will stop only when the door is closed.

- For times when you require the door to be opened longer than normal eg rotating your wine bottles or loading more wine, the door alarm can be temporarily muted.
- To mute the door alarm, press the 'Temp Zone'  button once. When the cabinet door is closed, alarm mute will deactivate and the door alarm will revert to normal.

### **IMPORTANT!**

**When the cabinet door is left open for long periods of time wine quality may be compromised.**



# INTERIOR AND EXTERIOR FEATURES

## Interior features

### Shelving

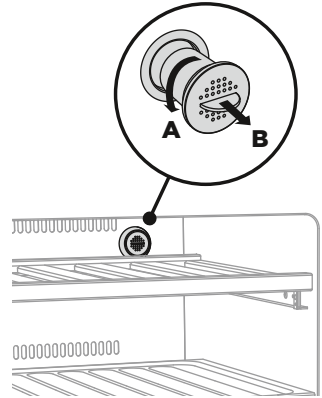
The oak shelves have been designed to allow for even air distribution around your wine bottles. Easy access is possible with telescopic runners.

This model has three roller shelves and two fixed shelves.

### Activated carbon filters

Air quality is critical for preserving wine. The activated carbon filters help to remove stale, unwanted odours and replenish with fresh air.

- The filters are fitted to the rear wall on the right-hand side of the upper and bottom zone.
- We recommend that you replace your activated carbon filters once every five years. Replacement filters are available from your Fisher & Paykel trained and supported service technician.
- To remove the filter hold by the handle, and turn counter-clockwise (refer to **A**) until fully loosened. Pull towards you to remove (refer to **B**).
- To replace the filter hold by the handle, insert and turn clockwise to fully secure.

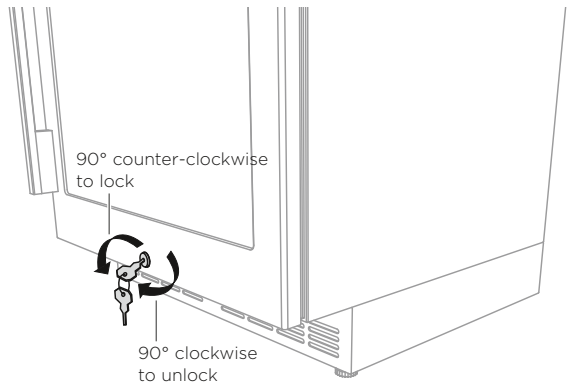


## Exterior features

### Door lock

The Wine Cabinet is equipped with a door lock located at the bottom of the cabinet door.

- To lock the cabinet, insert the key and turn 90° counter-clockwise.
- To unlock the cabinet, insert the key and turn 90° clockwise



# STORING YOUR WINE

---

## Short-term storage/serving

- This Wine Cabinet is perfect for short-term storage such as entertaining.
- Red wines are best served at warmer temperatures and white wines are best served at cooler temperatures.
- The ideal serving temperature of your wine is crucial for your taste and enjoyment. The following are recommended serving temperatures for different wines.

---

### SPARKLING WINES AND SWEET WHITE WINES

---

Non-vintage Champagne and Sparkling Wine 6°C

Vintage Champagne and Sparkling Wine, Riesling and Gewürztraminer 8°C

---

### DRY WHITE WINES

---

Sauvignon Blanc, Chenin Blanc, Bordeaux Blanc 9°C

Chardonnay and White Burgundy, Rosé 10 - 12°C

---

### LIGHT TO MEDIUM-BODIED RED WINES

---

Young Bordeaux, Young Cabernet, Pinot Noir, Merlot 14 - 16°C

---

### FULL-BODIED RED WINES

---

Cabernet Sauvignon, Red Burgundy 17°C

Shiraz, Zinfandel, Vintage Port 18°C

---

## Long-term storage

- This Wine Cabinet is also perfect for long-term storage/cellaring of wines.
- The ideal temperature for long-term storage of red and white wines is between 11°C to 13°C.

## Storing red and white wine

- When storing a combination of red and white wines, we recommend storing same case wines together. For example red wine in the bottom zone and white wine in the upper zone.
- Depending on the number of wine bottles and functions selected, it may take 24 hours for the Wine Cabinet temperatures to stabilise.
- Not all wines stored will improve/mature over time. Some wines are best consumed at an early stage, while others have remarkable ageing capabilities. Check with your wine merchant for more information.

## LOADING YOUR WINE BOTTLES

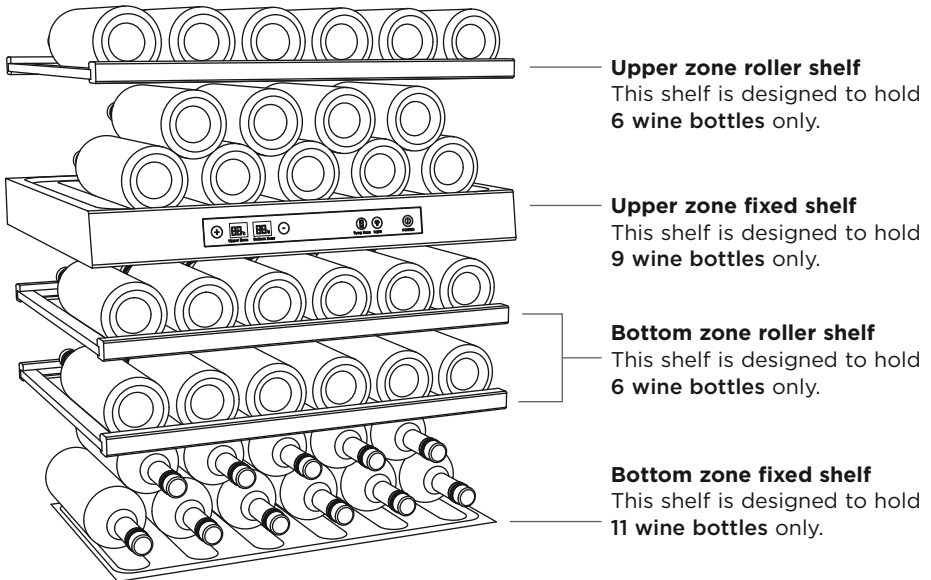
When loading your Wine Cabinet please keep in mind our loading capacities are based on standard 750 ml Bordeaux bottles.

### DOs

- Before loading wine into the cabinet confirm that all shelves are secured and stable.
- Roller shelves are designed for holding 6 wine bottles only.
- Fixed shelves are designed for holding only two tiers of wine bottles.
- When storing a combination of red and white wines, we recommend storing same case wines together. For example red wine in the bottom zone and white wine in the upper zone.

### DON'Ts

- **Do not load more than the recommended number of wine bottles on roller shelves and fixed shelves.**
- **Do not remove any roller shelves to allow the shelf below to hold more than the recommended number of wine bottles.**



## CLEANING CARE - EXTERIOR

---

### **Stainless steel exterior door**

- Use only liquid dishwashing detergent dissolved in warm water and a soft lint-free cloth to clean the exterior door surface.
- Rinse with clean water and dry with a clean, lint-free cloth.
- The use of any abrasive or stainless steel cleaners and solvents will damage the door surface.

### **Other exterior surfaces**

- Clean all other exterior surfaces with liquid dishwashing detergent dissolved in warm water and a soft lint-free cloth.
- Rinse with clean water and dry with a clean, lint-free cloth

### **Door gasket**

- It is recommended to clean the magnetic door gasket every three months with an old toothbrush, and liquid dishwashing detergent dissolved in warm water.
- Gasket must be kept clean and pliable to assure a proper seal.
- Petroleum jelly applied lightly on the hinge side of the gasket will keep the gasket pliable and assure a good seal.

### **IMPORTANT!**

- **Many commercially available cleaning products contain solvents which may attack plastic components of your Wine Cabinet and cause them to crack.**
- **Avoid using anti-bacterial cleaning products on the interior or exterior of the Wine Cabinet, as they may cause rusting of metal components and cracking of plastic components.**

## CLEANING CARE - INTERIOR

### Interior

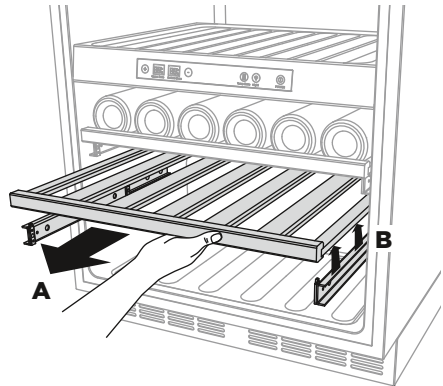
- For ease of cleaning, empty the Wine Cabinet first and remove all shelves.
- Wipe interior surfaces using only liquid dishwashing detergent dissolved in warm water and a soft lint-free cloth. Rinse with clean water and dry with a clean, lint-free cloth.
- Do not use harsh chemicals, abrasives, ammonia, chlorine, bleach, concentrated detergents, solvents or abrasive scouring pads on any part of your Wine Cabinet. SOME of these chemicals may dissolve, damage and/or discolour the interior of your Wine Cabinet.

### Roller shelves

- When cleaning use a dry clean, lint-free cloth to wipe over surfaces. Do not use warm water or any cleaners as this will damage the shelves' oak characteristics and cause them to warp and stain.
- If the shelves are lightly stained by spilt wine or water allow the surface to dry, then using 200 grade sandpaper gently sand over the stain until removed.
- If shelves are heavily stained, over time the colour of the shelf will darken and warp, and may eventually require replacing. Replacement shelves are available from your Fisher & Paykel trained and supported service technician.

### Remove roller shelves

- ① Pull the shelf towards you extending the telescopic runners, making sure the shelf is empty (refer to **A**).
- ② Hold the front and back edge of the shelf firmly and lift vertically to unclip from securing hooks (refer to **B**).
- ③ Pull the shelf towards you to remove.
- ④ Push both telescopic runners back into the Wine Cabinet.



### Repositioning roller shelves

- ① Push both telescopic runners back into the Wine Cabinet.
- ② Align the shelf on top of the securing hooks and push the shelf down until you feel it clip.
- ③ Ensure the shelf is securely clipped onto the telescopic runners before use.

### IMPORTANT!

**Telescopic runners are pre-lubricated, and will not need to be re-lubricated during their life. Do not attempt to clean the grease from the runners, as this will affect their ability to function. Do not immerse the runners in water.**

## USER WARNINGS AND SOUNDS

---

### User warnings – faults

In the unlikely event of a fault occurring, a fault code will be displayed on the internal control panel and an alarm will sound.

- Please take note of the fault code and contact our Customer Care Centre. Contact details are located towards the end of the user guide.
- To silence the fault alarm press any button on the internal control panel. The fault code will remain illuminated until the fault is corrected.

### Normal Wine Cabinet sounds

Fisher & Paykel Wine Cabinets can produce sounds somewhat different to your old Wine Cabinet.

#### Normal operational sounds include:

- Fan air flow sounds. Fisher & Paykel Wine Cabinets have fans to circulate the air within each zone. This is quite normal.
- Running/boiling water, gurgling sounds or slight vibrations. This is the liquid refrigerant circulating in the system.
- Clicking sounds. This is the thermostat control and will click when it cycles on and off.
- Gasket noises. This normally occurs due to a build-up of dirt and/or grime. It is recommended to clean the magnetic door gasket every three months to minimise these noises occurring.
- Other sounds may be heard for the following reasons:
  - Cabinet not level
  - Floor uneven or weak
  - Wine bottles not positioned on the shelf correctly.

## TROUBLESHOOTING

If there is a problem with your Wine Cabinet, please check the following points before contacting your local Fisher & Paykel trained and supported service technician or Customer Care Centre.

Product parts and accessories can be purchased through Fisher & Paykel Customer Care or online at [fisherpaykel.com](http://fisherpaykel.com) (this service is available to selected markets only).

<b>PROBLEM</b>	<b>POSSIBLE CAUSES</b>	<b>WHAT TO DO</b>
<b>Appliance does not operate.</b>	Cabinet is in Standby mode.	Refer to 'Operating instructions - Special functions' section.
	No electricity at the power outlet.	Check the cabinet is correctly connected and the power is switched on.
		Check another appliance at the same outlet. Check the house fuse.
<b>Lights do not illuminate when the door is opened.</b>	Cabinet is not working.	Check the cabinet is turned on at the wall.
	Lights not functioning.	The LED lights cannot be serviced by the user. Contact your Fisher & Paykel Dealer or Fisher & Paykel trained and supported service technician.
<b>Motor operates for long periods.</b>	The room temperature is hotter than normal.	Minimise door openings to allow temperature to stabilise.
	Prolonged or frequent door openings.	
	Large amount of wine bottles added.	
	Temperature setting is too low.	Refer to 'Operating instructions' and 'Storing your wine' sections for optimal temperature settings.
	Door not sealed properly.	Check the cabinet is level and gasket seals are clean.
<b>Wine bottles appear too warm.</b>	Temperature setting not correct.	Adjust the temperature control to a colder setting. Refer to the 'Operating instructions' section.
	Prolonged or frequent door openings.	Minimise door openings to allow temperature to stabilise.
	Large amount of wine bottles added.	Allow time for recently added wine bottles to reach the desired temperature.
<b>Wine bottles appear too cold.</b>	Temperature setting not correct.	Adjust the temperature control to a warmer setting. Refer to 'Operating instructions' section.

## TROUBLESHOOTING

PROBLEM	POSSIBLE CAUSES	WHAT TO DO
Unfamiliar noises.	The cabinet is not stable or level.	Level the cabinet. Refer to the 'Installation instructions' section or refer to 'User warnings and sounds' section.
Door alarm sounds continuously and a fault code appears.	This is dependent on the displayed fault code.	Please take note of the fault code and contact the Customer Care Centre.
Exterior of cabinet is warm.	This is normal.	
Moisture build-up on the exterior appliance surfaces.	Not unusual during periods of high humidity.	Wipe dry with a clean, lint-free cloth.
Moisture build up on the interior glass door.	Not unusual during periods of high humidity.	Wipe dry with a clean, lint-free cloth.
	Prolonged or frequent door openings.	Minimise door openings to allow the temperature to stabilise. Also check the gasket is sitting flat and sealing tightly.
Door handle out of alignment.	With time and usage, movement may occur.	Refer to 'Installation instructions' sections.
Excessive gasket noise.	May be due to a build-up of dirt/or grime.	Gasket needs cleaning. Refer to 'Cleaning care - Exterior' section.
Door does not shut properly.	Cabinet not stable or level.	Level the cabinet. Refer to the 'Installation instructions' section.
	The gasket is dirty.	Gasket needs cleaning. Refer to the 'Cleaning care - Exterior' section.
	The shelves are out of position.	Realign shelves. Refer to the 'Cleaning care - Interior' section.
	Door obstruction.	Check for obstructions eg protruding wine bottles, shelves out of position.



# MANUFACTURER'S WARRANTY

---

For the Republic of Ireland and Northern Ireland only. You automatically receive a 2 year Manufacturer's Warranty with the purchase of this refrigerator covering parts and labour for servicing within the country of purchase.

## **Fisher & Paykel undertakes to:**

Repair or, at its option, replace without cost to the owner either for material or labour any part of the product, the serial number of which appears on the product, which is found to be defective within TWO YEARS of the date of purchase.

Note: this Manufacturer's Warranty is an extra benefit and does not affect your legal rights.

## **This Manufacturer's Warranty DOES NOT cover**

- (A) Service calls which are not related to any defect in the product. The cost of a service call will be charged if the problem is not found to be a product fault. For example:
  - ① Correcting the installation of the product.
  - ② Instructing you how to use the product.
  - ③ Replacing house fuses or correcting house wiring or plumbing.
  - ④ Correcting fault(s) caused by the user.
  - ⑤ Noise or vibration that is considered normal, eg drain/fan sounds, refrigeration noises or user warning beeps.
  - ⑥ Correcting damage caused by pests, eg rats, cockroaches, etc.
  - ⑦ Replacement light bulbs.
- (B) Defects caused by factors other than:
  - ① Normal domestic use; or
  - ② Use in accordance with the product's user guide.
- (C) Defects to the product caused by accident, neglect, misuse or 'act of God'.
- (D) The cost of repairs carried out other than by a Fisher & Paykel trained and supported service technician or the cost of correcting such repairs.
- (E) Normal recommended maintenance as set out in the product's user guide.
- (F) Repairs when the appliance has been dismantled, repaired or serviced by other than a Fisher & Paykel trained and supported service technician or the selling dealer.
- (G) Pick-up and delivery.
- (H) Transportation or travelling costs involved in the repair when the product is installed outside the Fisher & Paykel trained and supported service technician's normal service area.
- (I) Filter replacement except in the case of faulty parts or materials within the filter cartridge.
- (J) Damage (including water damage) caused by faulty installation or plumbing.

Nothing in this Manufacturer's Warranty is intended to, or does, limit any rights you may have under law to recover the costs of inspecting or returning the goods to us.

This product has been designed for use in a normal domestic (residential) environment. This product is not designed for any commercial use (whatsoever). Any commercial use by a customer will affect this product's Manufacturer's Warranty.

## MANUFACTURER'S WARRANTY

---

Service under this Manufacturer's Warranty must be provided by a Fisher & Paykel trained and supported service technician (refer to the 'Customer Care' section at the back of this book). Such service shall be provided during normal business hours. This Manufacturer's Warranty certificate should be shown when making any claim.

**Please keep this user guide in a safe place.**

Complete and keep for safe reference:

Model \_\_\_\_\_

Serial No. \_\_\_\_\_

Purchase Date \_\_\_\_\_

Purchaser \_\_\_\_\_

Dealer \_\_\_\_\_

Suburb \_\_\_\_\_

Town \_\_\_\_\_

Country \_\_\_\_\_

# CUSTOMER CARE

---

## **Before you call for service or assistance...**

Check the things you can do yourself. Refer to your user guide and check that:

- ① Your product is correctly installed.
- ② You are familiar with its normal operation.
- ③ You have read the 'Troubleshooting' section at the back of the book.

If after checking these points you still need assistance or parts, please refer to your nearest Fisher & Paykel trained and supported service technician, Customer Care, or contact us through our website [fisherpaykel.com](http://fisherpaykel.com).

## **In the United Kingdom if you need assistance...\***

Call the Fisher & Paykel Customer Care Centre and talk to one of our Customer Care Consultants.

**Phone:** 08000 886 605

**Fax:** 08000 886 606

**Website:** [fisherpaykel.com](http://fisherpaykel.com)

**Postal address:** Fisher & Paykel Appliances Ltd, Maidstone Road, Kingston, Milton Keynes, Buckinghamshire, MK10 0BD

## **In Ireland if you need assistance...\***

Call the Fisher & Paykel Customer Care Centre and talk to one of our Customer Care Consultants.

**Phone:** 1800 625 174 or 01-8077960

**Fax:** 1800 635 012

**Website:** [fisherpaykel.com](http://fisherpaykel.com)

**Postal address:** Fisher & Paykel Appliances, Unit D2, North Dublin Corporate Park, Swords, Co. Dublin

\*If you call, write or contact us via our website please provide: your name and address, model number, serial number, date of purchase and a complete description of the problem. This information is needed in order to better respond to your request for assistance.


**For product details please refer to the serial plate located on the rear of the cabinet.**

## **Registration**

Register your product with us so we can provide you with the best service possible. To register your product visit our website: [fisherpaykel.com](http://fisherpaykel.com)

## EUROPEAN DIRECTIVE 2012/19/EU ON WASTE ELECTRICAL AND ELECTRONIC EQUIPMENT (WEEE)

**GB** This appliance is marked according to the European directive 2012/19/EU on Waste Electrical and Electronic Equipment (WEEE). By ensuring this product is disposed of correctly, you will help prevent potential negative consequences for the environment and human health, which could otherwise be caused by inappropriate handling of this product.

The symbol  marked on the serial plate, or on the documents accompanying the product, indicates that this appliance cannot be treated as household waste. It shall be handed over to the applicable collection point for the recycling of electrical and electronic equipment. Disposal of the appliance shall be carried out in accordance with the local environment regulations for waste disposal and ensure the refrigerant circuit is not damaged.

For more detailed information about treatment, recovery and recycling of this product, please contact your local city office, your household waste disposal service or your Fisher & Paykel retailer/dealer from whom you purchased this product.

## PRODUCT FICHE

### FISHER & PAYKEL

MODEL	RS60RDWX1
Category of the household refrigeration appliance model <sup>1</sup>	2
Energy efficiency class	B
Energy Consumption *	183
Storage volume (L)	115
Frost free (Yes/No), Fridge	N/A
Climate class	SN-ST
Noise emissions (dB(A) Re 1 pW)	42
Built in appliance Yes/No?	Yes
This appliance is intended to be used exclusively for the storage of wine Yes/No?	Yes

- <sup>1</sup>
- 1 Refrigerator with one or more fresh-food storage compartments
  - 2 Refrigerator-cellar, cellar and wine storage appliances
  - 3 Refrigerator-chiller and refrigerator with 0-star compartment
  - 4 Refrigerator with a 1-star compartment
  - 5 Refrigerator with a 2-star compartment
  - 6 Refrigerator with a 3-star compartment
  - 7 Refrigerator-freezer
  - 8 Upright freezer
  - 9 Chest freezer
  - 10 Multi-use and other refrigerating appliances

\* Energy consumption in kWh per year, based on standard test results for 24 hours. The actual energy consumption will depend on how the appliance is used and where it is located.





**FISHERPAYKEL.COM**

© Fisher & Paykel Appliances 2017. All rights reserved.

The product specifications in this booklet apply to the specific products and models described at the date of issue. Under our policy of continuous product improvement, these specifications may change at any time. You should therefore check with your Dealer to ensure this booklet correctly describes the product currently available.

**GB IE**

**843267D 11.17**